



Product Catalogue  
2014

# Index

<b>FUSES</b>	<b>2</b>
<b>POWER DISTRIBUTION BOXES</b>	<b>21</b>
<b>MODULAR FUSE/RELAY HOLDER</b>	<b>30</b>
<b>FUSE/RELAY BOXES</b>	<b>42</b>
<b>1 WAY FUSE/RELAY HOLDERS</b>	<b>47</b>
<b>ADAPTERS &amp; FIXING PLATES</b>	<b>62</b>
<b>CONNECTORS</b>	<b>66</b>
<b>BATTERY TERMINALS</b>	<b>96</b>
<b>TERMINALS</b>	<b>105</b>
<b>INSULATED TERMINALS</b>	<b>143</b>
<b>CRIMPING TOOLS</b>	<b>153</b>
<b>CAPS</b>	<b>157</b>
<b>RADIATOR/OIL/GASOLINE CAPS</b>	<b>161</b>
<b>SENSORS</b>	<b>167</b>
<b>CABLES</b>	<b>171</b>
<b>CABLES FIXING</b>	<b>176</b>
<b>SWITCHES</b>	<b>178</b>
<b>SUNDRIES</b>	<b>180</b>

# FUSES

## MINIVAL®



AMP	DESCRIPTION	COLOUR		P/N BLISTER	M.O.Q.	P/N BOX	M.O.Q.	P/N BULK	M.O.Q.
2A	MINIVAL	Grey		0600090	500	0700090	200	0705090	5000
3A	MINIVAL	Violet		0600100	500	0700100	200	0705100	5000
4A	MINIVAL	Pink		0600101	500	0700101	200	0705101	5000
5A	MINIVAL	Beige		0600110	500	0700110	200	0705110	5000
7,5A	MINIVAL	Brown		0600120	500	0700120	200	0705120	5000
10A	MINIVAL	Red		0600130	500	0700130	200	0705130	5000
15A	MINIVAL	Blue		0600140	500	0700140	200	0705140	5000
20A	MINIVAL	Yellow		0600150	500	0700150	200	0705150	5000
25A	MINIVAL	Natural		0600160	500	0700160	200	0705160	5000
30A	MINIVAL	Green		0600170	500	0700170	200	0705170	5000

# FUSES

## UNIVAL®



AMP	DESCRIPTION	COLOUR		P/N BLISTER	M.O.Q.	P/N BOX	M.O.Q.	P/N BULK	M.O.Q.	P/N BULK	M.O.Q.
1A	UNIVAL	Black				0600380	100	0700380	2000		
2A	UNIVAL	Grey				0600390	100	0700390	2000		
3A	UNIVAL	Violet				0600400	1000	0700300	2000	0710300	10000
4A	UNIVAL	Pink				0600401	1000	0700301	2000		
5A	UNIVAL	Beige		0600492	200	0600410	1000	0700310	2000	0710310	10000
7,5A	UNIVAL	Brown		0600493	200	0600420	1000	0700320	2000	0710320	10000
10A	UNIVAL	Red		0600494	200	0600430	1000	0700330	2000	0710330	10000
15A	UNIVAL	Blue		0600495	200	0600440	1000	0700340	2000	0710340	10000
20A	UNIVAL	Yellow		0600496	200	0600450	1000	0700350	2000	0710350	10000
25A	UNIVAL	Natural		0600497	200	0600460	1000	0700360	2000	0710360	10000
30A	UNIVAL	Green		0600498	200	0600470	1000	0700370	2000	0710370	10000
40A	UNIVAL	Orange				0600375	1000	0700375	2000	0710375	10000

# MAXICOMPACT



AMP	DESCRIPTION	COLOUR		P/N BULK	M.O.Q.
25A	MAXICOMPACT	□ White		0702925	2000
30A	MAXICOMPACT	■ Light Green		0702930	2000
35A	MAXICOMPACT	■ Dark Green		0702935	2000
40A	MAXICOMPACT	■ Orange		0702940	2000
50A	MAXICOMPACT	■ Red		0702950	2000
60A	MAXICOMPACT	■ Blue		0702960	2000

# M8COMPACT



AMP	DESCRIPTION	COLOUR		P/N BULK	M.O.Q.
60A	M8COMPACT	Blue		0710060	TBD
70A	M8COMPACT	Brown		0710070	TBD
80A	M8COMPACT	Black		0710080	TBD

# MAXIVAL®



AMP	DESCRIPTION	COLOUR		P/N BOX	M.O.Q.	P/N BULK	M.O.Q.
20A	MAXIVAL	Yellow		0600900	100	0700900	1000
30A	MAXIVAL	Green		0600910	100	0700910	1000
40A	MAXIVAL	Orange		0600920	100	0700920	1000
50A	MAXIVAL	Red		0600930	100	0700930	1000
60A	MAXIVAL	Blue		0600940	100	0700940	1000
70A	MAXIVAL	Beige		0600950	100	0700950	1000
80A	MAXIVAL	Natural		0600960	100	0700960	1000
100A	MAXIVAL	Violet		0600970	100	0700970	1000

# FUSES

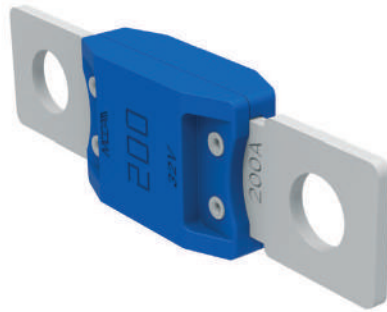
## MIDIVAL®



AMP	DESCRIPTION	COLOUR		P/N BLISTER	M.O.Q.	P/N BULK	M.O.Q.
30A	MIDIVAL	Orange		0602030	20	0702030	1000
40A	MIDIVAL	Green		0602040	20	0702040	1000
50A	MIDIVAL	Red		0602050	20	0702050	1000
60A	MIDIVAL	Yellow		0602060	20	0702060	1000
70A	MIDIVAL	Brown		0602070	20	0702070	1000
80A	MIDIVAL	White		0602080	20	0702080	1000
100A	MIDIVAL	Blue		0602100	20	0702100	1000
125A	MIDIVAL	Pink		0602125	20	0702125	1000



# MEGAVAL® & POWERVAL®



AMP	DESCRIPTION	COLOUR		P/N BLISTER	M.O.Q.	P/N BULK	M.O.Q.
100A	MEGAVAL	Yellow		0601100	20	0701100	1000
125A	MEGAVAL	Green		0601125	20	0701125	1000
150A	MEGAVAL	Orange		0601150	20	0701150	1000
175A	MEGAVAL	White		0601175	20	0701175	1000
200A	MEGAVAL	Blue		0601200	20	0701200	1000
225A	MEGAVAL	Beige		0601225	20	0701225	1000
250A	MEGAVAL	Pink		0601250	20	0701250	1000
500A	MEGAVAL	Brown		0601600	20	0701600	1000
CAL.1	POWERVAL	Grey		0601350	20	0701350	1000
CAL.2	POWERVAL	Black		0601400	20	0701400	1000
CAL.3	POWERVAL	Red		0601450	20	0701450	1000
CAL.4	POWERVAL	Brown		0601500	20	0701500	1000
CAL.5	POWERVAL	Wheat Grey		0601700	1	0701700	1000



1

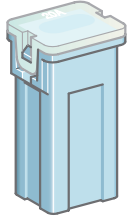


2

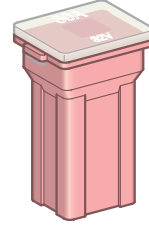
IMG	AMP	DESCRIPTION	COLOUR		P/N BLISTER	M.O.Q.	P/N BULK	M.O.Q.
1	15A	MICRO FEMALE 10	Grey		0404015	20	0404016	500
	20A	MICRO FEMALE 10	Azure		0404020	20	0404021	500
	25A	MICRO FEMALE 10	White		0404025	20	0404026	500
	30A	MICRO FEMALE 10	Pink		0404030	20	0404031	500
	40A	MICRO FEMALE 10	Green		0404040	20	0404041	500
2	20A	MICRO FEMALE 14	Azure		0424020	20	0424021	500
	25A	MICRO FEMALE 14	White		0424025	20	0424026	500
	30A	MICRO FEMALE 14	Pink		0424030	20	0424031	500
	40A	MICRO FEMALE 14	Green		0424040	20	0424041	500
	50A	MICRO FEMALE 14	Red		0424050	20	0424051	500
	60A	MICRO FEMALE 14	Yellow		0424060	20	0424061	500

# FUSES

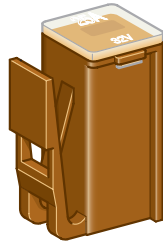
## JAPVAL®



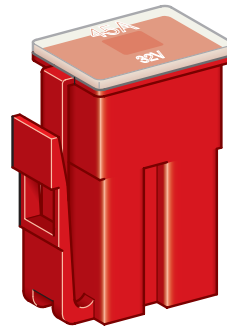
1



2



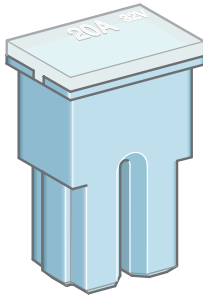
3



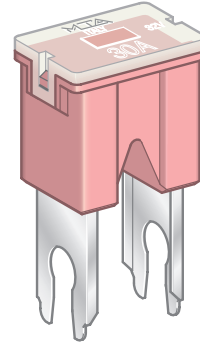
4

IMG	AMP	DESCRIPTION	COLOUR		P/N BLISTER	M.O.Q.	P/N BULK	M.O.Q.
1	20A	MINI FEMALE 14	Azure		0474020	20	0474021	500
	30A	MINI FEMALE 14	Pink		0474030	20	0474031	500
	40A	MINI FEMALE 14	Green		0474040	20	0474041	500
	50A	MINI FEMALE 14	Red		0474050	20	0474051	500
	60A	MINI FEMALE 14	Yellow		0474060	20	0474061	500
	70A	MINI FEMALE 14	Brown		0474070	20	0474071	500
	80A	MINI FEMALE 14	Black		0474080	20	0474081	500
	2	30A	MINI FEMALE 18	Pink		0473030	20	0473031
40A		MINI FEMALE 18	Green		0473040	20	0473041	500
3	25A	MINI CLIP	Brown		0476025	20	0476026	500
	30A	MINI CLIP	Green		0476030	20	0476031	500
4	45A	CLIP	Red		0477045	20	0477046	500
	65A	CLIP	Black		0477065	20	0477066	500
	75A	CLIP	Grey		0477075	20	0477076	500

# JAPVAL®



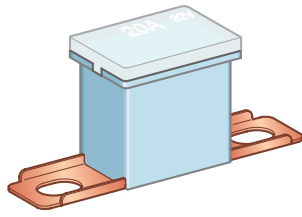
1



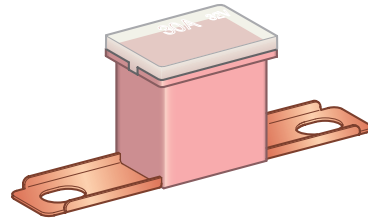
2

IMG	AMP	DESCRIPTION	COLOUR		P/N BLISTER	M.O.Q.	P/N BULK	M.O.Q.
1	20A	FEMALE	Azure		0470020	20	0470021	500
	30A	FEMALE	Pink		0470030	20	0470031	500
	40A	FEMALE	Green		0470040	20	0470041	500
	50A	FEMALE	Red		0470050	20	0470051	500
	60A	FEMALE	Yellow		0470060	20	0470061	500
	80A	FEMALE	Black		0470080	20	0470081	500
	100A	FEMALE	Blue		0470100	20	0470101	500
2	30A	MALE	Pink		0471030	20	0471031	500
	40A	MALE	Green		0471040	20	0471041	500
	50A	MALE	Red		0471050	20	0471051	500
	60A	MALE	Yellow		0471060	20	0471061	500
	80A	MALE	Black		0471080	20	0471081	500
	100A	MALE	Blue		0471100	20	0471101	500

# JAPVAL®



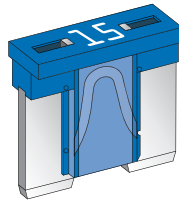
1



2

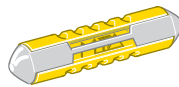
IMG	AMP	DESCRIPTION	COLOUR		P/N BLISTER	M.O.Q.	P/N BULK	M.O.Q.	
1	20A	MALE 48	<span style="color: blue;">■</span> Azure		0475020	20	0475021	500	
	30A	MALE 48	<span style="color: pink;">■</span> Pink		0475030	20	0475031	500	
	40A	MALE 48	<span style="color: green;">■</span> Green		0475040	20	0475041	500	
	50A	MALE 48	<span style="color: red;">■</span> Red		0475050	20	0475051	500	
	60A	MALE 48	<span style="color: yellow;">■</span> Yellow		0475060	20	0475061	500	
	70A	MALE 48	<span style="color: brown;">■</span> Brown		0475070	20	0475071	500	
	80A	MALE 48	<span style="color: black;">■</span> Black		0475080	20	0475081	500	
	100A	MALE 48	<span style="color: blue;">■</span> Blue		0475100	20	0475101	500	
	2	30A	MALE 62	<span style="color: pink;">■</span> Pink		0472030	20	0472031	500
		40A	MALE 62	<span style="color: green;">■</span> Green		0472040	20	0472041	500
50A		MALE 62	<span style="color: red;">■</span> Red		0472050	20	0472051	500	
60A		MALE 62	<span style="color: yellow;">■</span> Yellow		0472060	20	0472061	500	
80A		MALE 62	<span style="color: black;">■</span> Black		0472080	20	0472081	500	
100A		MALE 62	<span style="color: blue;">■</span> Blue		0472100	20	0472101	500	

# MINI LOW PROFILE



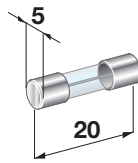
AMP	DESCRIPTION	COLOUR		P/N BLISTER	M.O.Q.	P/N BULK	M.O.Q.
2A	MINI LOW PROFILE	Grey		0600210	200	0700210	200
3A	MINI LOW PROFILE	Violet		0600220	200	0700220	200
4A	MINI LOW PROFILE	Pink		0600230	200	0700230	200
5A	MINI LOW PROFILE	Beige		0600240	200	0700240	200
7,5A	MINI LOW PROFILE	Brown		0600250	200	0700250	200
10A	MINI LOW PROFILE	Red		0600260	200	0700260	200
15A	MINI LOW PROFILE	Blue		0600270	200	0700270	200
20A	MINI LOW PROFILE	Yellow		0600280	200	0700280	200
25A	MINI LOW PROFILE	Natural		0600290	200	0700290	200
30A	MINI LOW PROFILE	Green		0600302	200	0700302	200

# CONTINENTAL



AMP	DESCRIPTION	COLOUR		P/N BOX	M.O.Q.	P/N BULK	M.O.Q.
5A	FIAT 9.91806	Yellow		0200140	100	0300140	5000
8A	FIAT 9.91806	Black		0200150	100	0300150	5000
16A	FIAT 9.91806	Green		0200170	100	0300170	5000
25A	FIAT 9.91806	Brown		0200180	100	0300180	5000
5A	DIN 72581	Yellow		0200140	100	0300140	5000
8A	DIN 72581	White		0200151	100	0300151	5000
16A	DIN 72581	Red		0200171	100	0300171	5000
25A	DIN 72581	Blue		0200181	100	0300181	5000
5A	BNA 709	Violet		0200142	100	0300142	5000
8A	BNA 709	Blue		0200149	100	0300149	5000
10A	BNA 709	Green		0200152	100	0300152	5000
16A	BNA 709	Yellow		0200172	100	0300172	5000
25A	BNA 709	Red		0200182	100	0300182	5000

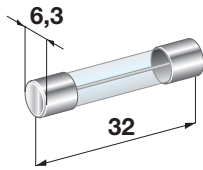
# GLASS



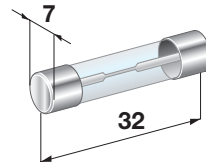
AMP	DESCRIPTION		P/N BOX	M.O.Q.	P/N BULK	M.O.Q.
500MA	GLASS FUSE 5X20		0430300	50		
1A	GLASS FUSE 5X20		0430400	50	0530400	1000
2A	GLASS FUSE 5X20		0430500	50	0530500	1000
3A	GLASS FUSE 5X20		0430600	50	0530600	1000
4A	GLASS FUSE 5X20		0430700	50		
5A	GLASS FUSE 5X20		0430800	50	0530800	1000
6A	GLASS FUSE 5X20		0430900	50		
8A	GLASS FUSE 5X20		0431000	50		
10A	GLASS FUSE 5X20		0431100	50	0531100	1000
15A	GLASS FUSE 5X20		0431300	50		
20A	GLASS FUSE 5X20		0431400	50		



# GLASS



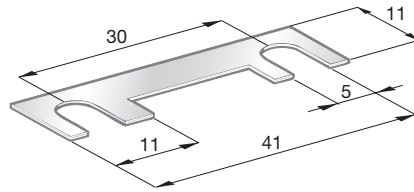
1



2

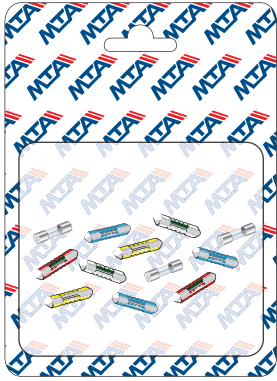
IMG	AMP	DESCRIPTION	P/N BOX	M.O.Q.	P/N BULK	M.O.Q.
1	2A	GLASS FUSE 6,3X32	0433200	50	0533200	1000
	3A	GLASS FUSE 6,3X32	0433300	50		
	5A	GLASS FUSE 6,3X32	0433400	50	0533400	1000
	7,5A	GLASS FUSE 6,3X32	0433450	50		
	10A	GLASS FUSE 6,3X32	0433500	50	0533500	1000
	15A	GLASS FUSE 6,3X32	0433600	50	0533600	1000
	20A	GLASS FUSE 6,3X32	0433700	50	0533700	1000
	25A	GLASS FUSE 6,3X32	0433800	50	0533800	1000
	30A	GLASS FUSE 6,3X32	0433850	50	0533850	1000
	35A	GLASS FUSE 6,3X32	0433900	50	0533900	1000
2	10A	GLASS FUSE 7X32			0535300	1000
	30A	GLASS FUSE 7X32	0435600	50		

# STRIP

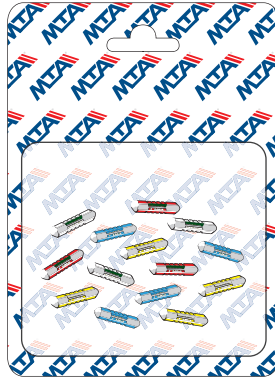


AMP	DESCRIPTION		P/N BOX	M.O.Q.
30A	STRIP FUSE		0200296	100
40A	STRIP FUSE		0200300	100
50A	STRIP FUSE		0200297	100
60A	STRIP FUSE		0200301	100
80A	STRIP FUSE		0200298	100
100A	STRIP FUSE		0200299	100

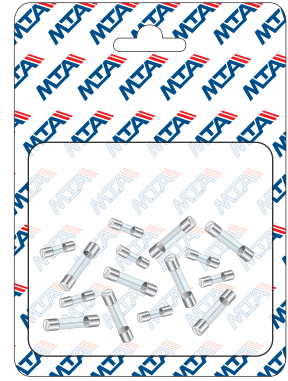
# ASSORTMENT



1



2



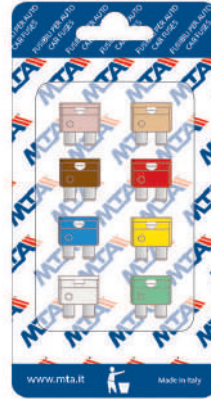
3

IMG	DESCRIPTION	P/N BLISTER	M.O.Q.
1	CONTINENTAL FUSE DIN 72581 5A (1 PCS), 8A (4 PCS), 16A (3 PCS), 25A (1 PCS), GLASS FUSE 5x20 2A (1 PCS)	0200127	20
2	CONTINENTAL FUSE DIN 72581 5A (2 PCS), 8A (8 PCS), 16A (6 PCS), 25A (4 PCS)	0200138	20
3	GLASS FUSE 5x20 2A (1 PCS), 6,3x32 10A (2 PCS), 6,3x32 15A (2 PCS), 6,3x32 25A (1 PCS)	0435800	20

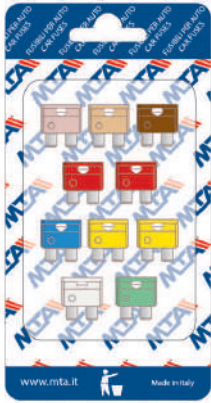
# ASSORTMENT



1



2



3



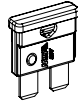
4

IMG	DESCRIPTION	P/N BLISTER	M.O.Q.
1	10 UNIVAL FUSES 3A (1 PCS), 5A (1 PCS), 7,5A (1 PCS), 10A (2 PCS), 15A (1 PCS), 20A (2 PCS), 25A (1 PCS), 30A (1 PCS)	0600418	20
2	8 UNIVAL FUSES 3A (1 PCS), 5A (1 PCS), 7,5A (1 PCS), 10A (1 PCS), 15A (1 PCS), 20A (1 PCS), 25A (1 PCS), 30A (1 PCS)	0600407	50
3	10 UNIVAL FUSES 3A (1 PCS), 5A (1 PCS), 7,5A (1 PCS), 10A (2 PCS), 15A (1 PCS), 20A (2 PCS), 25A (1 PCS), 30A (1 PCS)	0600408	50
4	6 UNIVAL FUSES 3A (1 PCS), 5A (1 PCS), 10A (1 PCS), 15A (1 PCS), 20A (1 PCS), 30A (1 PCS)	3004000	50

# ASSORTMENT



80 MINIVAL



80 UNIVAL



160 UNIVAL



1



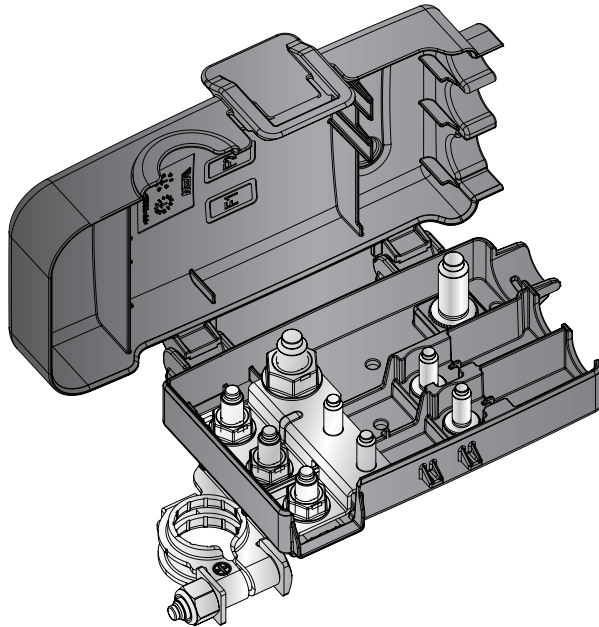
2



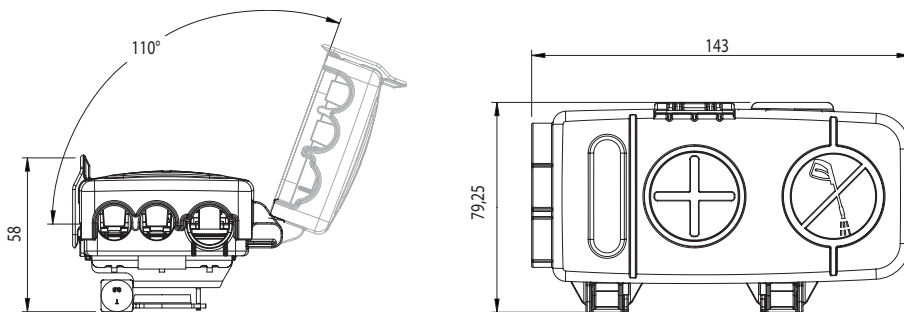
3

IMG	DESCRIPTION	P/N BOX	M.O.Q.
1	ASSORTMENT BOX 80 MINIVAL FUSES 2A (10 PCS), 3A (3 PCS), 4A (10 PCS), 5A (3 PCS), 7,5A (10 PCS), 10A (10 PCS), 15A (10 PCS), 20A (10 PCS), 25A (4 PCS), 30A (10 PCS)	0600010	1
2	ASSORTMENT BOX 80 UNIVAL FUSES 4A (10 PCS), 5A (10 PCS), 7,5A (10 PCS), 10A (10 PCS), 15A (10 PCS), 20A (10 PCS), 25A (10 PCS), 30A (10 PCS)	0650015	1
3	ASSORTMENT BOX 160 UNIVAL FUSES 4A (20 PCS), 5A (20 PCS), 7,5A (20 PCS), 10A (20 PCS), 15A (20 PCS), 20A (20 PCS), 25A (20 PCS), 30A (20 PCS)	0650016	1

# CDB



DESCRIPTION	P/N	M.O.Q.
PRE MOUNTED HOUSING FOR 2 MIDIVAL AND 1 CAL/MEGAVAL WITH BATTERY TERMINAL	0300839	20



**CONNECTIONS AND FIXINGS**

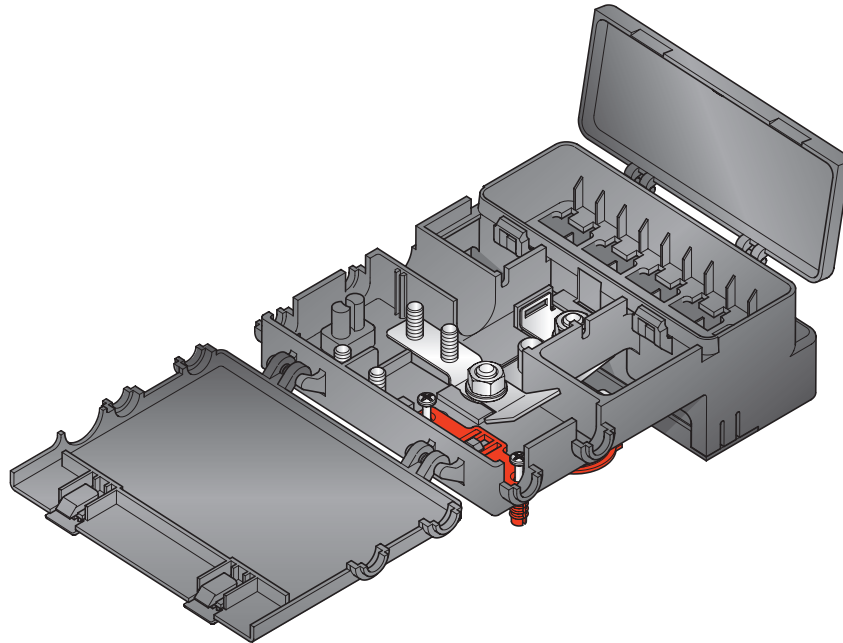


MIDI  
POL A,B

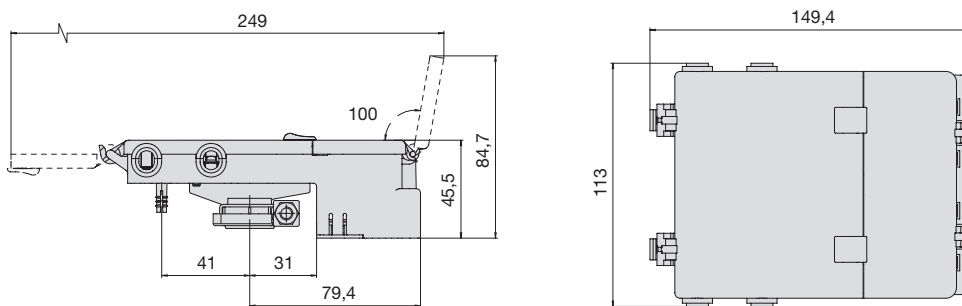


MEGA

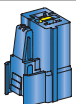
# LINK BATT



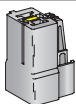
DESCRIPTION	P/N	M.O.Q.
PRE MOUNTED HOUSING FOR 8 MAXIVAL AND 2 MIDIVAL	0100710	1



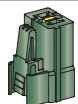
**CONNECTIONS AND FIXINGS**



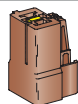
4540315



4540345



4540325



4540335



4545100

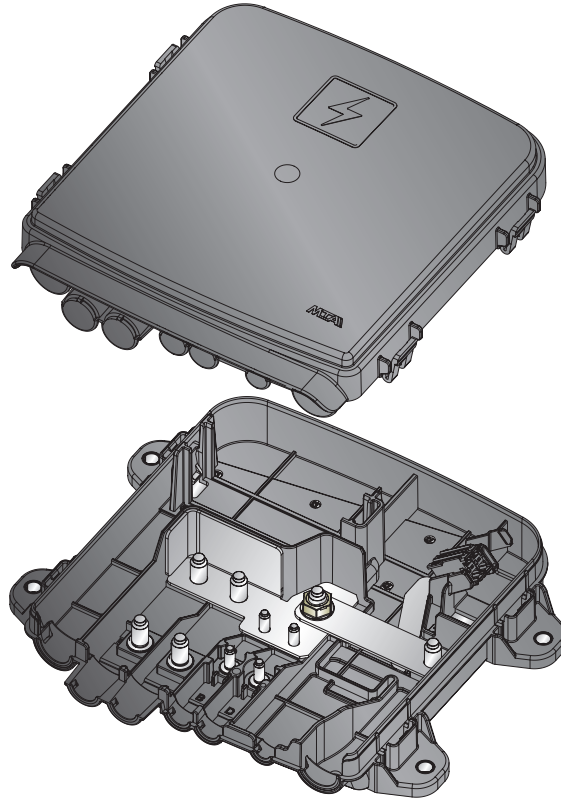


MIDI

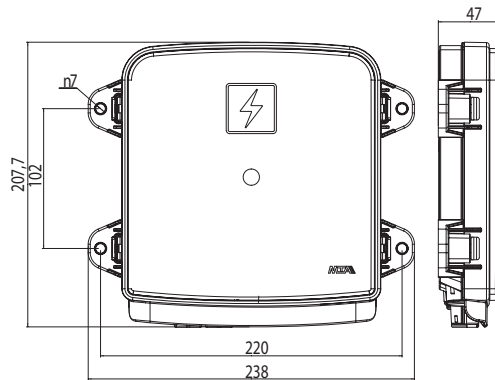


SQR-A

# PDU



DESCRIPTION	P/N	M.O.Q.
PRE MOUNTED HOUSING FOR 2 MEGA/POWERVAL + 2 MIDIVAL WITH COVER AND BUS BAR	0301865	1



**CONNECTIONS AND FIXINGS**



MIDI  
POL A,B



TUBULAR M8



MUDULES



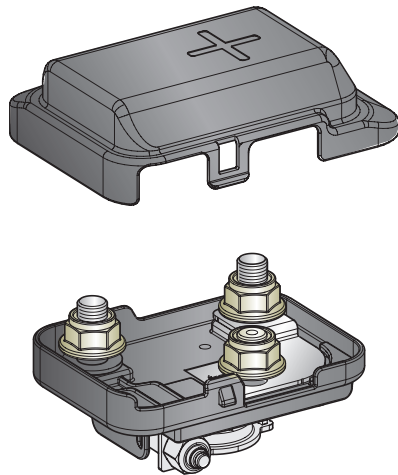
SML



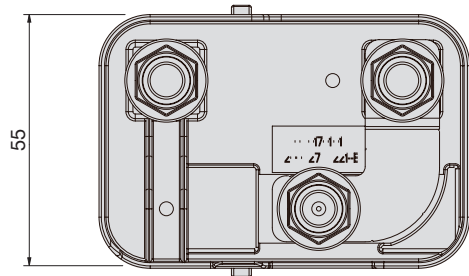
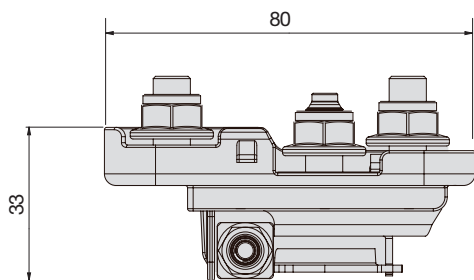
F280



# CBA J81 L4



DESCRIPTION	P/N	M.O.Q.
PRE MOUNTED HOUSING FOR 1 MEGA/POWerval WITH COVER AND BATTERY TERMINAL	0101703	1

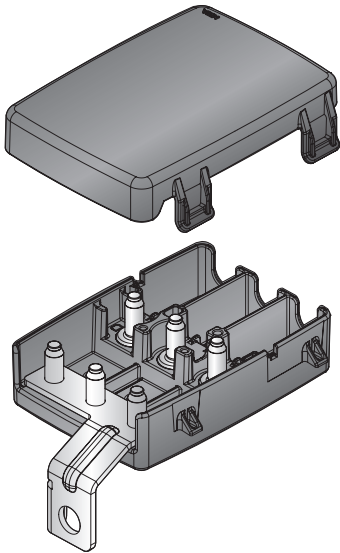


**CONNECTIONS AND FIXINGS**

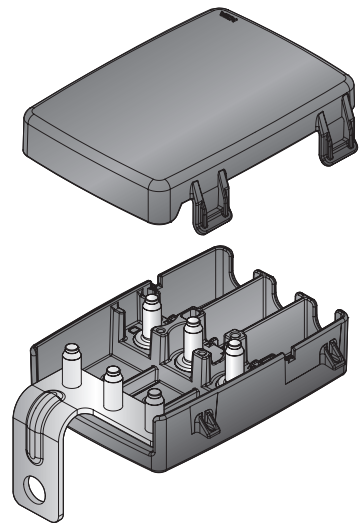


CBA J81 L4

# MIDIVAL® 3 WAY

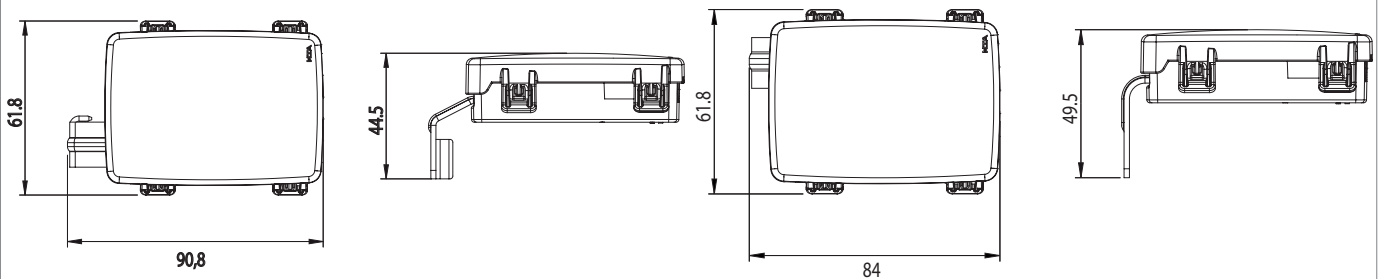


1



2

IMG	DESCRIPTION	P/N	M.O.Q.
1	PRE MOUNTED HOUSING DX FOR 3 MIDIVAL WITH COVER AND BUS BAR	0300442	1
2	PRE MOUNTED HOUSING SX FOR 3 MIDIVAL WITH COVER AND BUS BAR	0300468	1



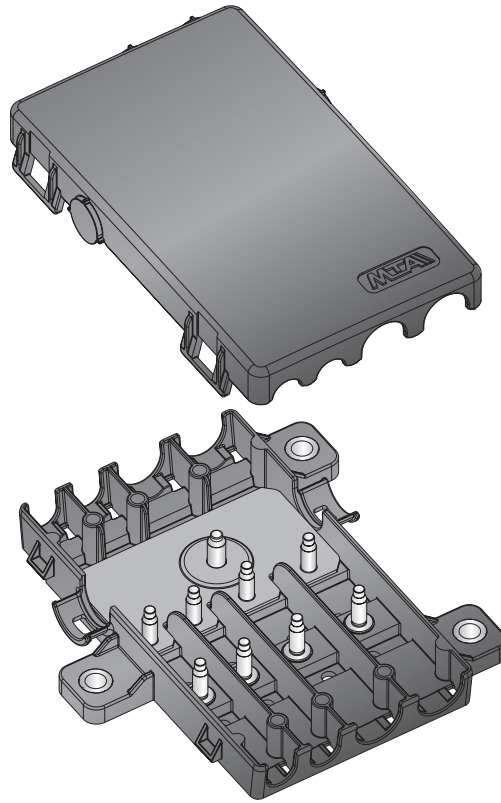
**CONNECTIONS AND FIXINGS**



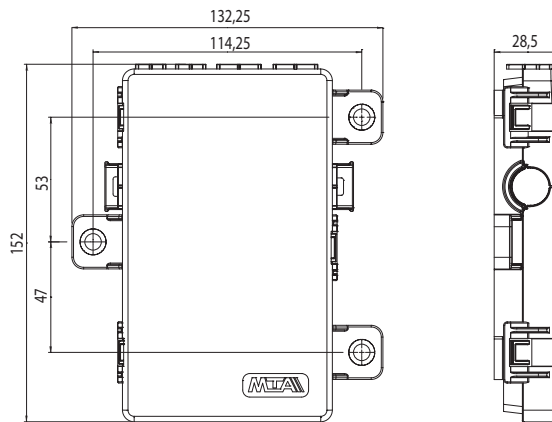
MIDI  
POL A,B,D

IMG 1-2

# MIDIVAL® 4 WAY



DESCRIPTION	P/N	M.O.Q.
PRE MOUNTED HOUSING FOR 4 MIDIVAL WITH COVER, BUS BAR AND SELF LOCKING NUTS	0300552	1



**CONNECTIONS AND FIXINGS**

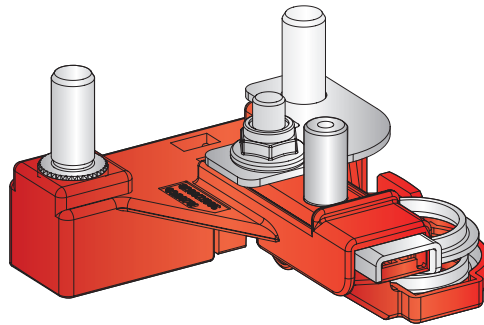


1708250

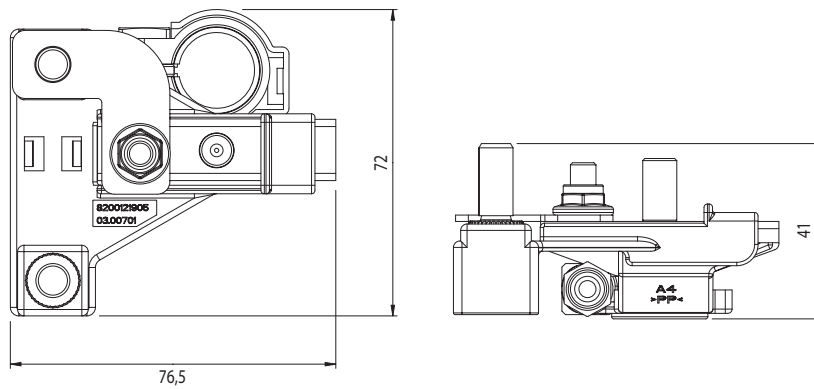


1708246

# CBA X73



DESCRIPTION	P/N	M.O.Q.
PRE-MOUNTED HOUSING FOR 1 POWER/MEGAVAL WITH BATTERY TERMINAL	0100703	1



**CONNECTIONS AND FIXINGS**



1608180  
1608190

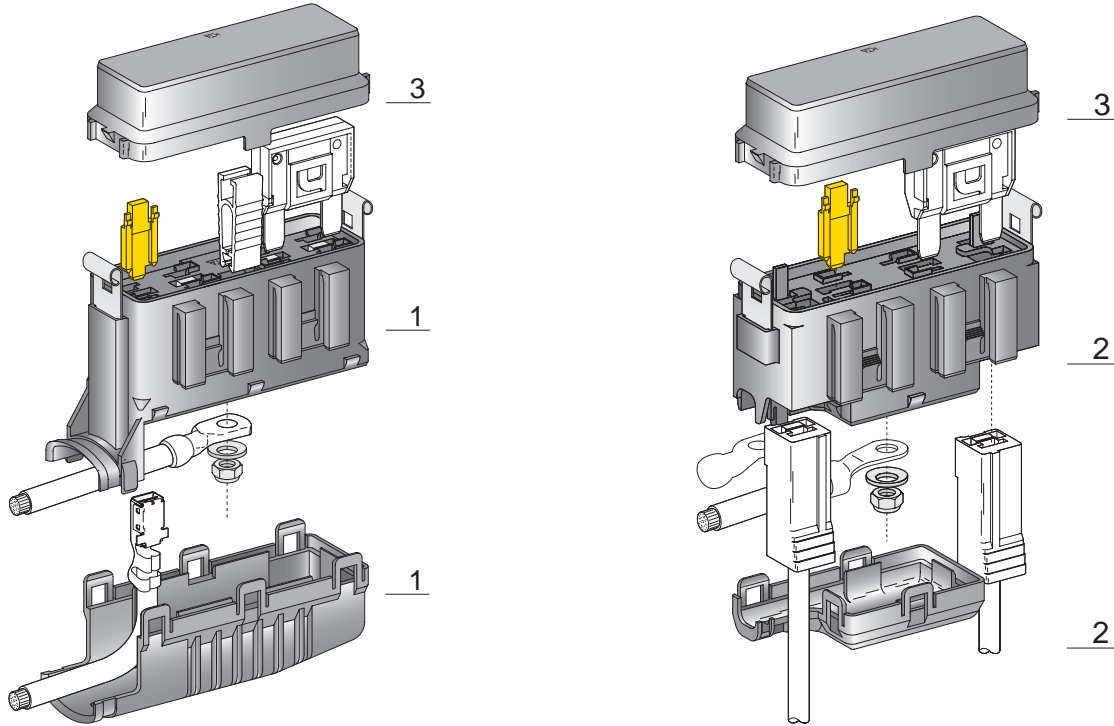


1708110  
1708120

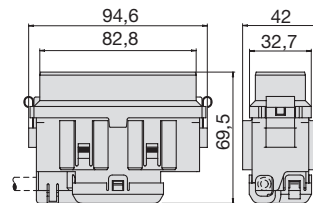
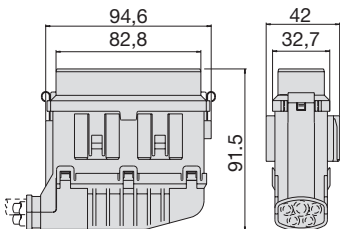


1608196

# LINK BOX



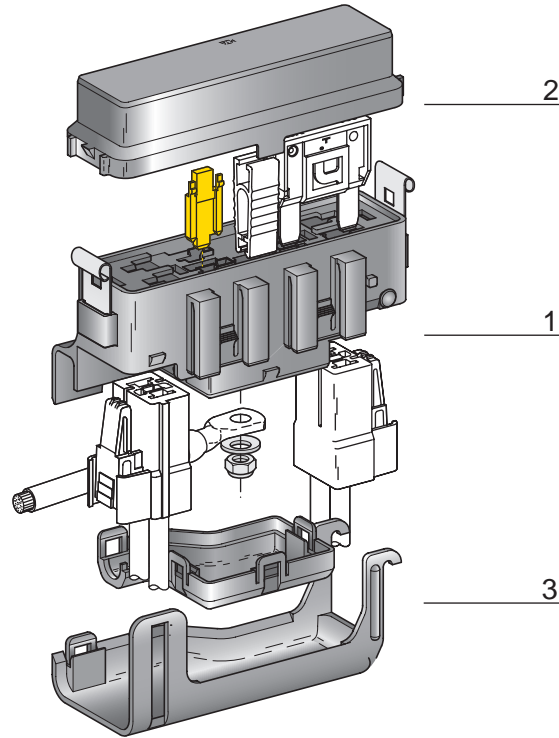
IMG	DESCRIPTION	WAY	MATERIAL	COLOUR	P/N KIT WITH COVER AND TERMINALS	M.O.Q.	P/N BULK	M.O.Q.
1	HOUSING + BOTTOM COVER + S.LOCK + NUT	4	PA66 GF25 PA66	■ Black	0100500	5	0300500	200
2	HOUSING +CONNECTORS BOTTOM COVER + S.LOCK + NUT	2	PA66 GF25 PA66	■ Black	0100900	10	0300900	200
3	COVER WITH GASKET		PA66 GF25	■ Black			0300950	200



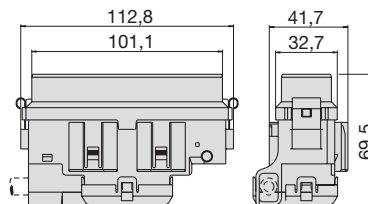
## CONNECTIONS AND FIXINGS

0300949	0300851	0300690	0300691	F800	1605000	GND L32 M6	4540145	4540135	4545100
IMG	1+2	1+2	1+2	1+2	1	2	2	2	2

# LINK BOX



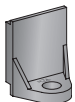
IMG	DESCRIPTION	WAY	MATERIAL	COLOUR	P/N KIT WITH COVER AND TERMINALS	M.O.Q.	P/N BULK	M.O.Q.
1	HOUSING + BOTTOM COVER + S.LOCK + NUT	4	PA66 GF25 PA66	■ Black	0100800	5	0300800	150
2	UPPER COVER WITH GASKET		PA66 GF25	■ Black			0300850	150
3	WIRE'S COVER		PA66	■ Black			0300849	400



## CONNECTIONS AND FIXINGS



0300949



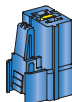
0300691



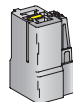
F800



1605000



4540315



4540345

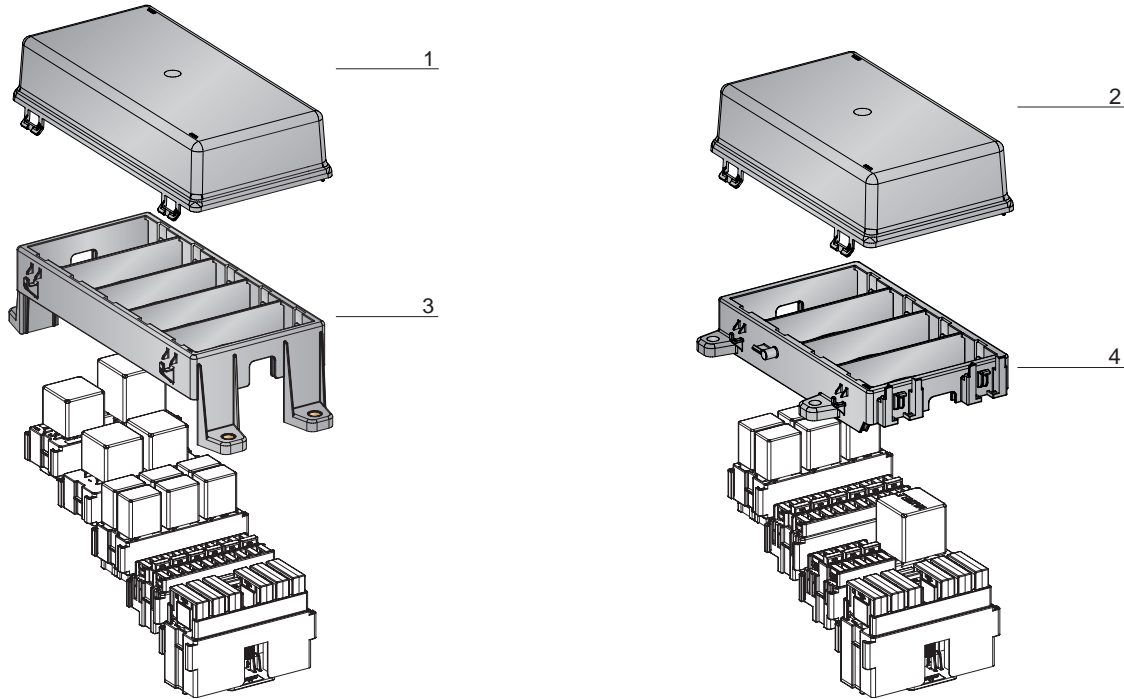


0300851

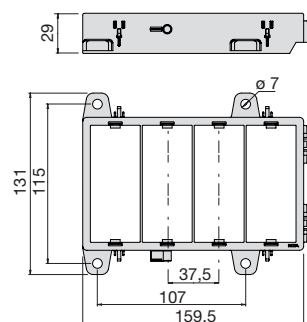
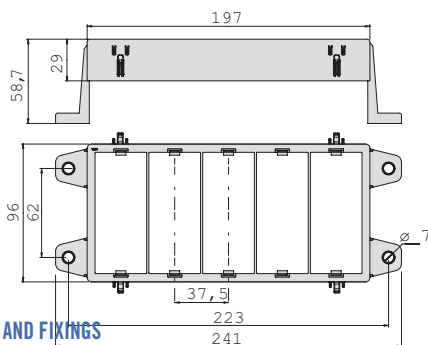


4545100

# FRAMES & COVERS



IMG	DESCRIPTION	WAY	MATERIAL	COLOUR		P/N BOX	M.O.Q.	P/N BULK	M.O.Q.
1	COVER	5	PP GF30	Grey		0101540	1	0301540	48
2	COVER	4	PP GF30	Grey		0101530	1	0301530	63
3	FRAME	5	PP GF30	Grey		0101450	1	0301450	85
4	FRAME	4	PP GF30	Grey		0101520	1	0301520	63



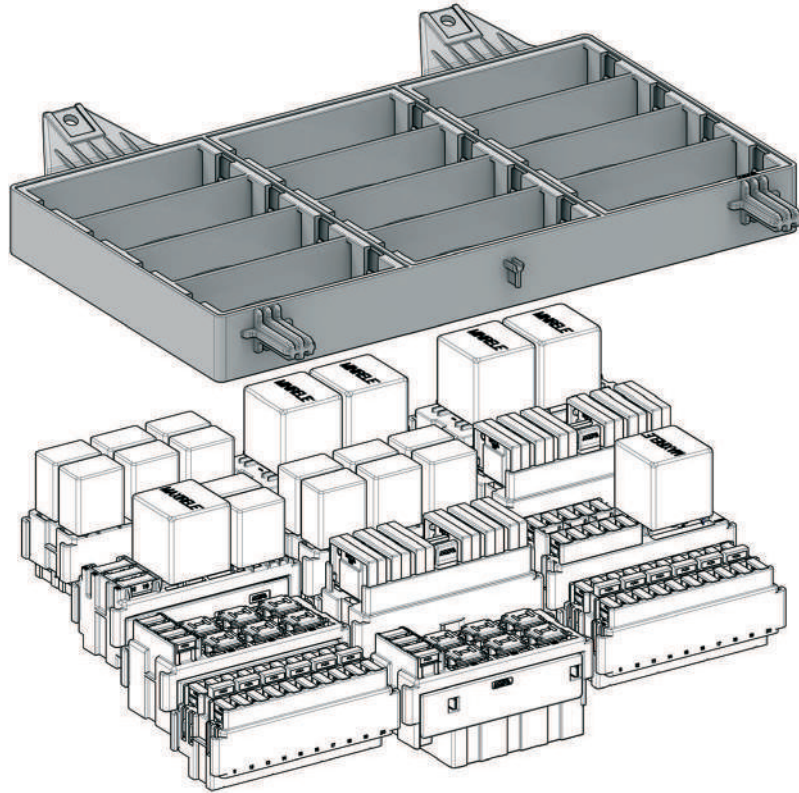
**CONNECTIONS AND FIXINGS**



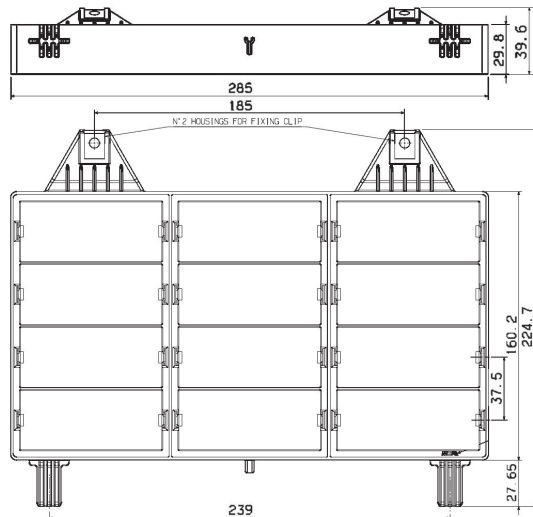
0301630

IMG 3+4

# FRAMES & COVERS

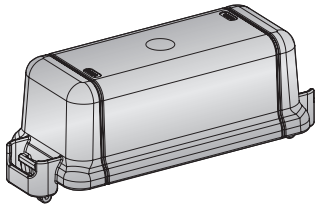


IMG	DESCRIPTION	WAY	MATERIAL	COLOUR		P/N BOX	M.O.Q.	P/N BULK	M.O.Q.
1	FRAME Y1	12	PP GF30	Grey				0301680	104

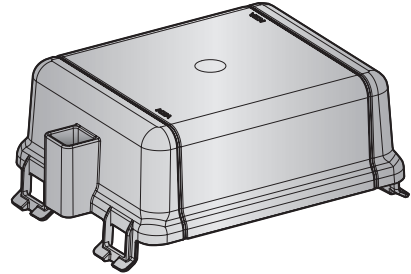




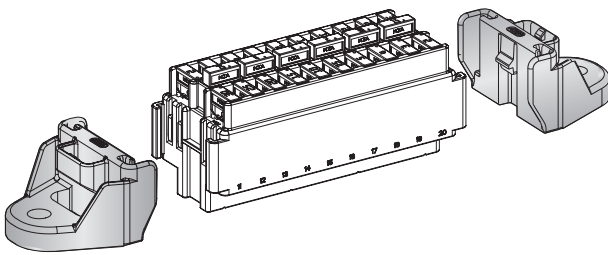
# BRACKETS & COVERS



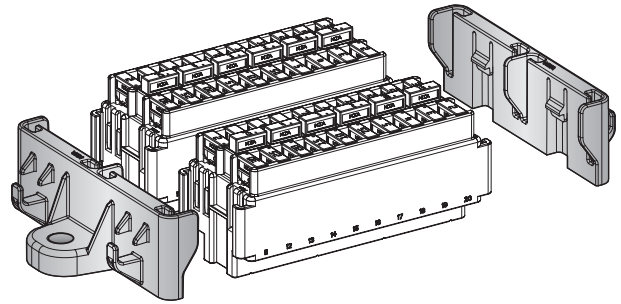
1



2

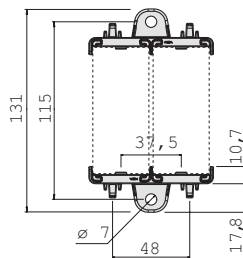
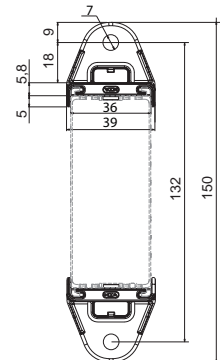
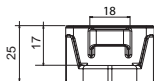


3

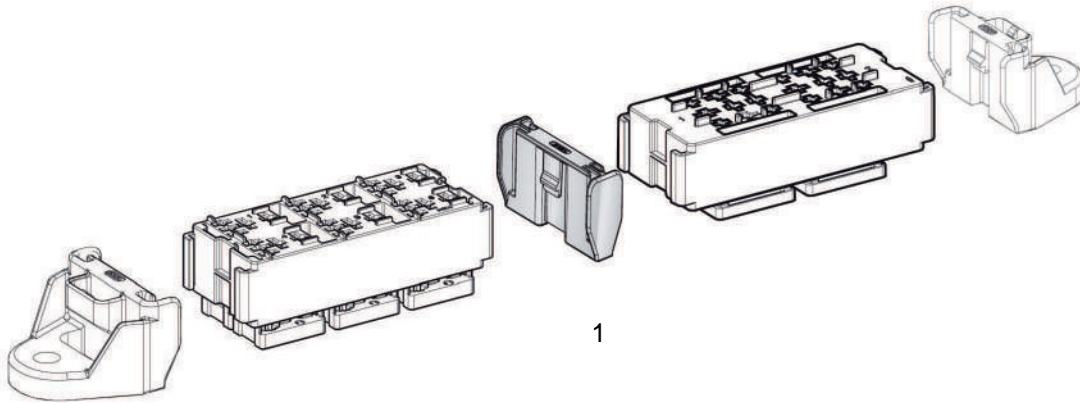


4

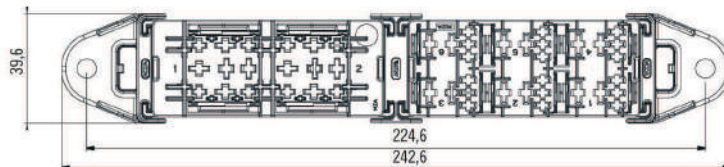
IMG	DESCRIPTION	WAY	MATERIAL	COLOUR		P/N BOX	M.O.Q.	P/N BULK	M.O.Q.
1	COVER	1	PP GF30	Grey		0101590	1	0301590	150
2	COVER	2	PP GF30	Grey		0101550	1	0301550	200
3	BRACKET	1	PP GF30	Grey		0101580	2	0301580	600
4	BRACKET	2	PP GF30	Grey		0100699	2	0300699	400



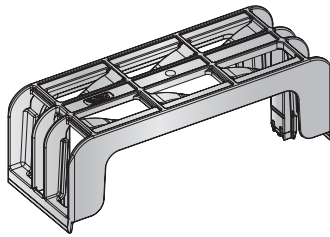
# BRACKETS & COVERS



IMG	DESCRIPTION	WAY	MATERIAL	COLOUR		P/N BULK	M.O.Q.
1	BRACKET	1	PP GF30	Grey		0301620	250

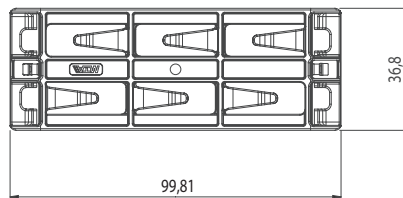
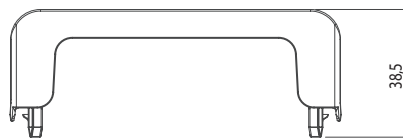


# BRACKETS & COVERS

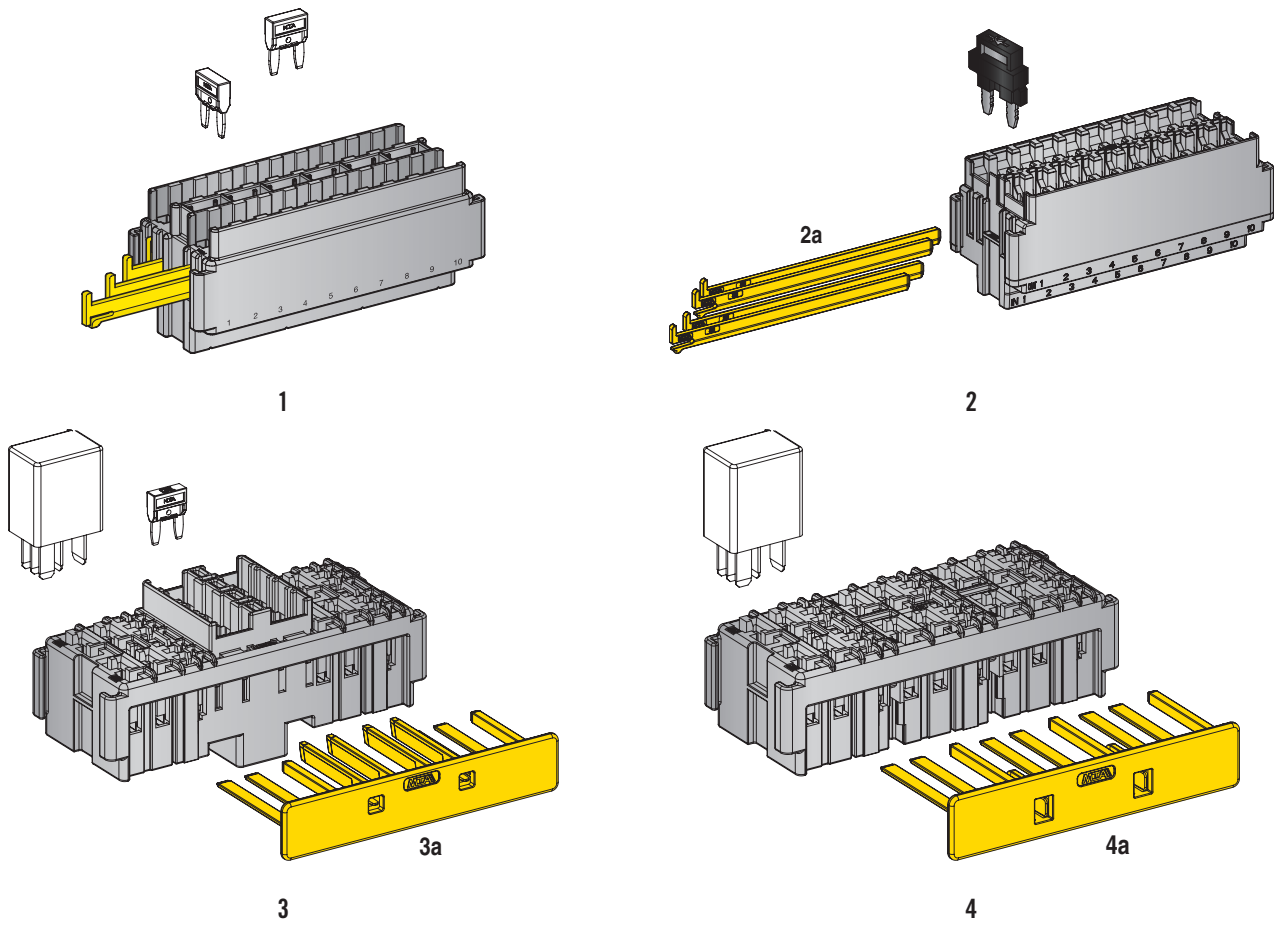


1

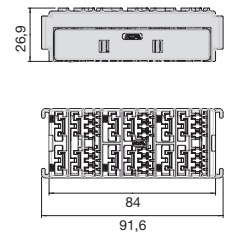
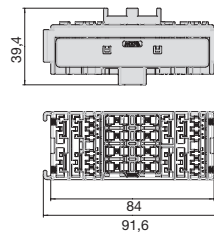
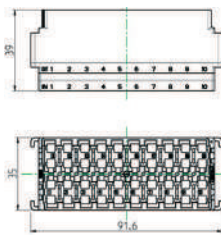
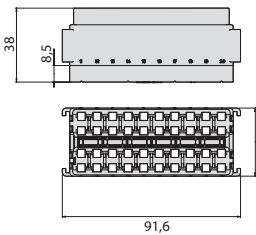
IMG	DESCRIPTION	MATERIAL	COLOUR		P/N BULK	M.O.Q.
1	COVER	PA66 - GF13	Grey		0301630	350



# MODULES



IMG	DESCRIPTION	WAY	MATERIAL	COLOUR	P/N BOX	M.O.Q.	P/N BULK	M.O.Q.
1	MINIVAL MODULE	20	PA66 MD25	Grey	0101460	1	0301460	250
2	DIODES/MINIVAL MODULE	20	PA66 MD25	Grey	0101640	1	0301640	230
2a	SECONDARYLOCK		PA66	Yellow			0300793	7000
3	MINIVAL/MICRORELAY MODULE	8 + 4	PA66 MD25	Grey	0101564	1	0301564	132
3a	SECONDARYLOCK		PA66 GF 13	Yellow			0301566	400
4	MICRORELAY MODULE	6	PA66 MD25	Grey	0101484	1	0301484	198
4a	SECONDARYLOCK		PA66 GF 13	Yellow			0301486	400



## CONNECTIONS AND FIXINGS



F280



F280  
BUS-BAR



F480E



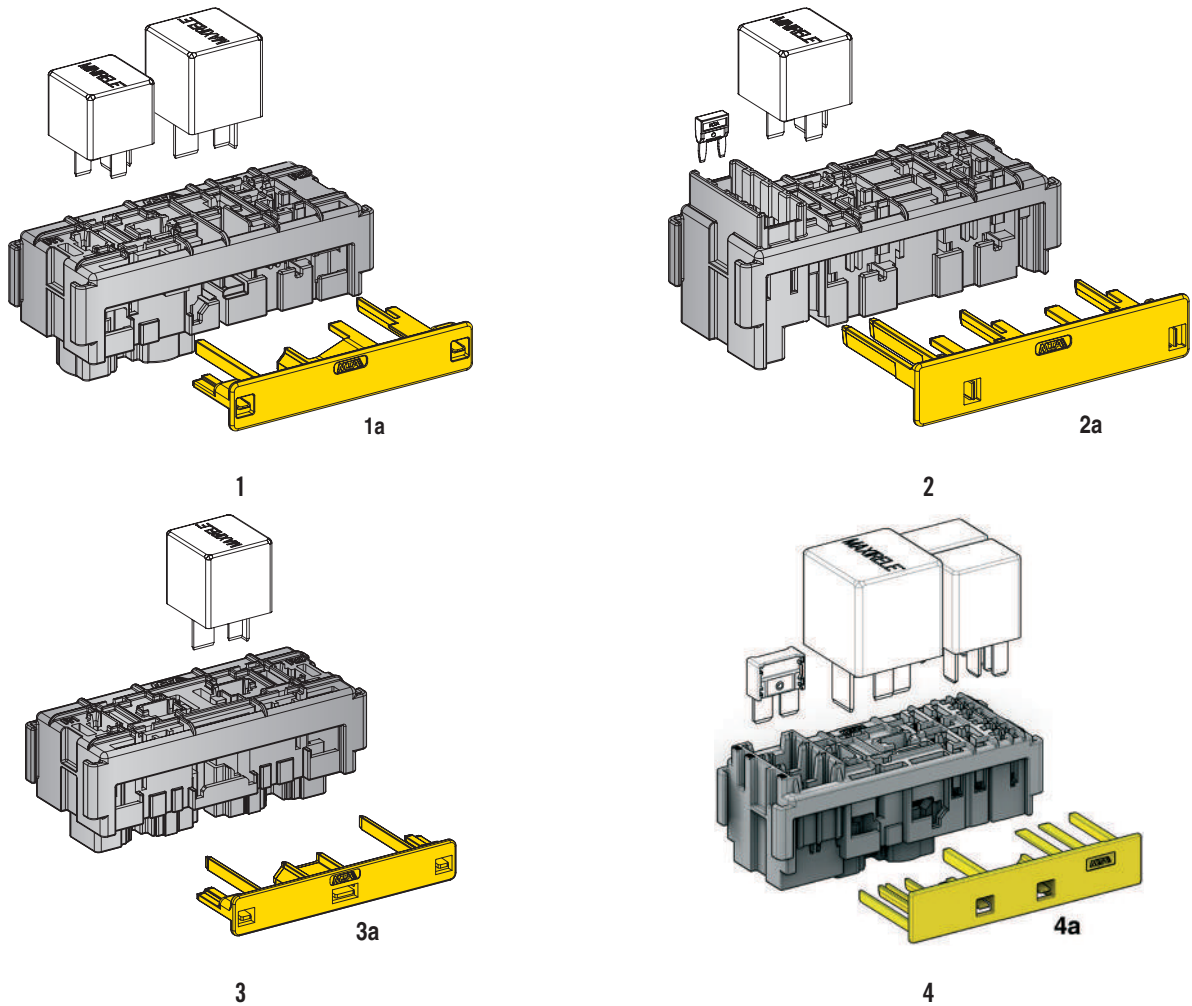
F630E



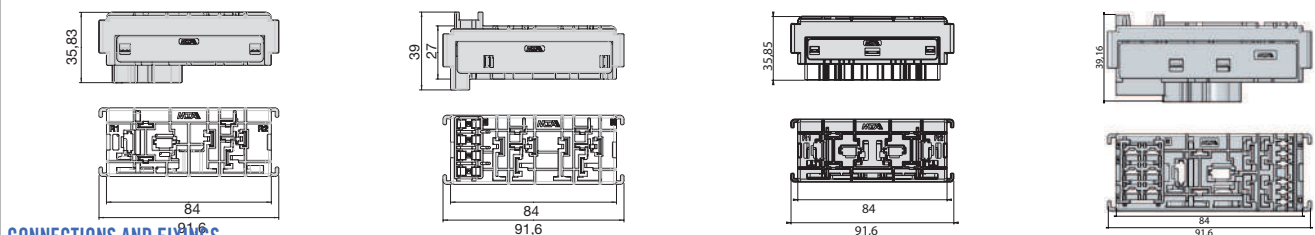
0301630

IMG	1+2+3	1+2+3	3+4	3+4	1+2+3+4
-----	-------	-------	-----	-----	---------

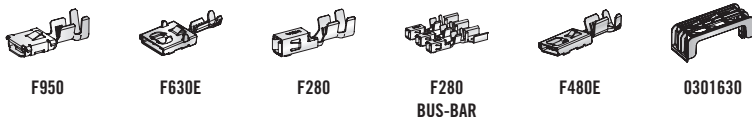
# MODULES



IMG	DESCRIPTION	WAY	MATERIAL	COLOUR	P/N BOX	M.O.Q.	P/N BULK	M.O.Q.
1	MINI/MAXI RELAY MODULE	1 + 1	PA66 MD25	Grey	0101494	1	0301494	132
1a	SECONDARYLOCK		PA66 GF 13	Yellow			0301496	600
2	MINIVAL/MINIRELAY MODULE	4 + 2	PA66 MD25	Grey	0101504	1	0301504	132
2a	SECONDARYLOCK		PA66 GF 13	Yellow			0301506	400
3	MAXIRELAY MODULE	2	PA66 MD25	Grey	0101660	1	0301660	132
3a	SECONDARYLOCK		PA66 GF 13	Yellow			0301661	600
4	MAXICOMPACT/MAXI/MICRO RELAY MODULE	3 + 1 + 2	PA66 MD25	Grey			0301695	132
4a	SECONDARYLOCK		PA66 GF 13	Yellow			0301696	400

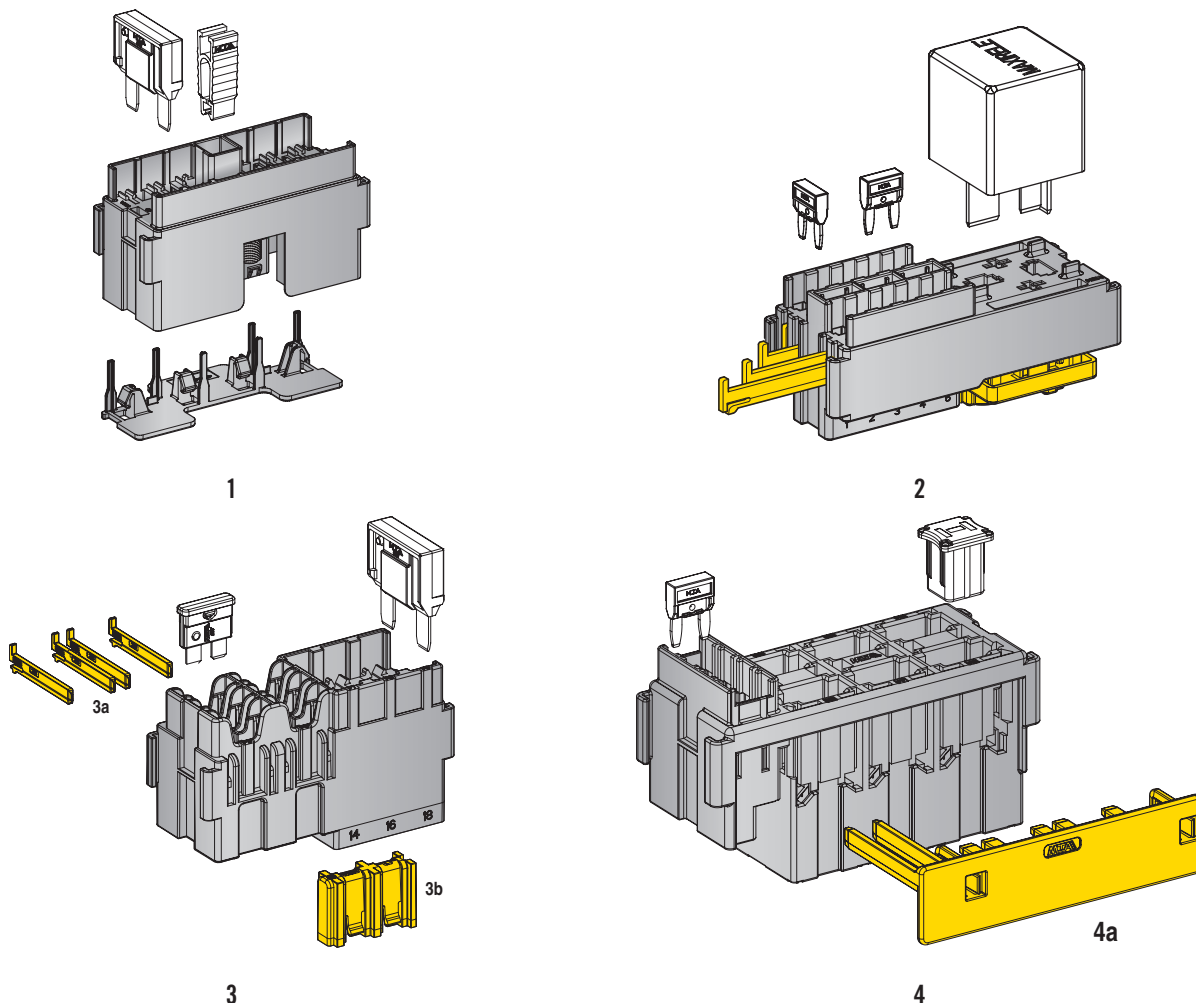


CONNECTIONS AND FIXINGS

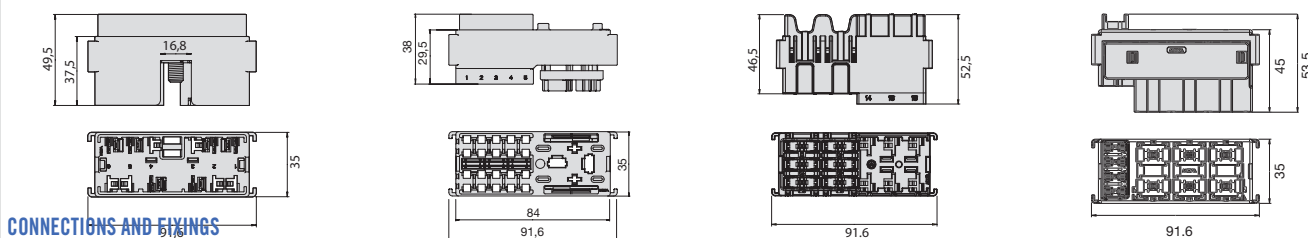


IMG	1+3+4	1+2+3+4	2	2	4	1+2+3+4
-----	-------	---------	---	---	---	---------

# MODULES



IMG	DESCRIPTION	WAY	MATERIAL	COLOUR	P/N BOX	M.O.Q.	P/N BULK	M.O.Q.
1	MAXIVAL MODULE	6	PBT GF20	Grey	0101470	1	0301470	162
2	MINIVAL/MAXIRELAY MODULE	10 + 1	PA66 MD25	Grey	0101510	1	0301510	300
3	MAXIVAL/UNIVAL MODULE	3 + 6	PA66 MD25	Grey	0101600	1	0301600	100
3a	SECONDARY LOCK FOR UNIVAL		PA66	Yellow			0301601	6000
3b	SECONDARY LOCK FOR MAXIVAL		PA66	Yellow			0301602	2000
4	MINIVAL/TYPER A1S MODULE	4 + 6	PA66 MD25	Grey	0101690	1	0301690	99
4a	SECONDARY LOCK		PA66 GF13	Yellow			0301691	300

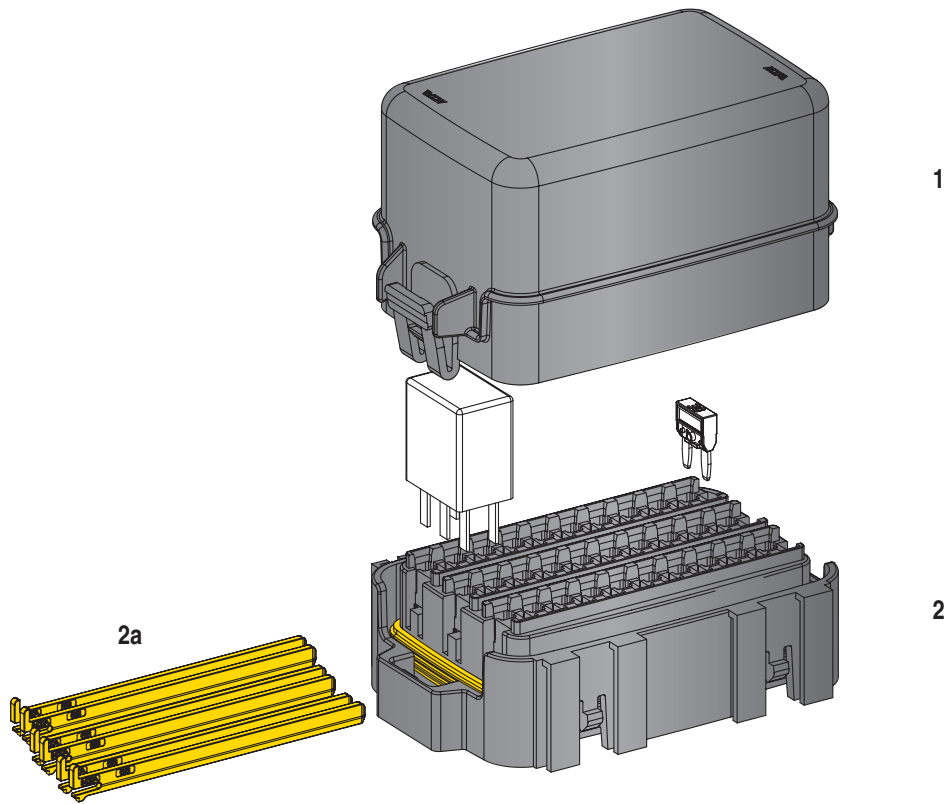


CONNECTIONS AND FIXINGS

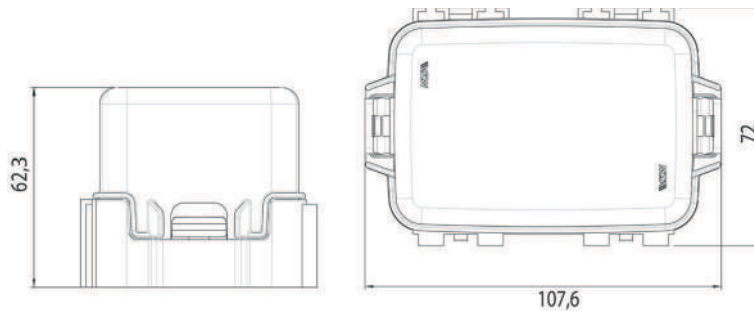


IMG	1+3	2	2	2+4	2+4	3	3	4	1+2+3+4
-----	-----	---	---	-----	-----	---	---	---	---------

# FOOT PRINT WP MODULE



IMG	DESCRIPTION	MATERIAL	COLOUR	P/N BOX	M.O.Q.	P/N BULK	M.O.Q.
1	COVER	PP GF30	Grey	0101371	1	0301371	100
2	30 MINIVAL or 10 MICRORELAY WP FOOTPRINT MODULE	PA66 MD25	Grey	0101370	1	0301370	60
2a	SECONDARY LOCK	PA 66	Yellow			0301372	1500



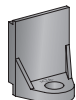
## CONNECTIONS AND FIXINGS



F280 WP

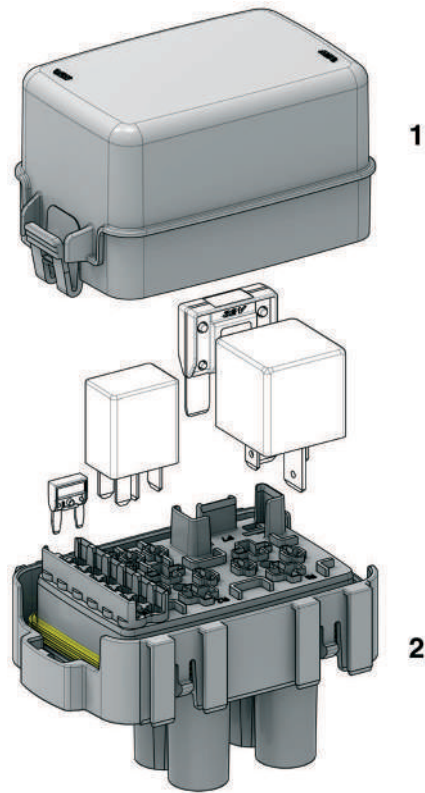


0300690

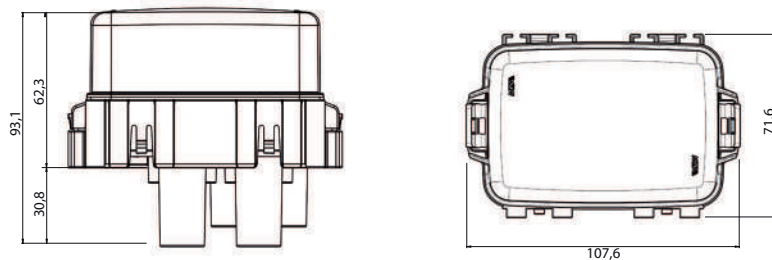


0300691

# MAXI - MICRO RELAY WP MODULE



IMG	DESCRIPTION	MATERIAL	COLOUR	P/N BOX	M.O.Q.	P/N BULK	M.O.Q.
1	COVER	PP GF30	Grey	0101371	1	0301371	100
2	6 MINIVAL + 1 MAXIVAL + 2 MAXIRELAY + 1 MICRORELAY MODULE	PA66 MD25	Grey			0301491	TBD



CONNECTIONS AND FIXINGS



F280 WP



F800 WP



JPT WP



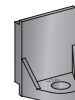
SPT WP



MPT WP



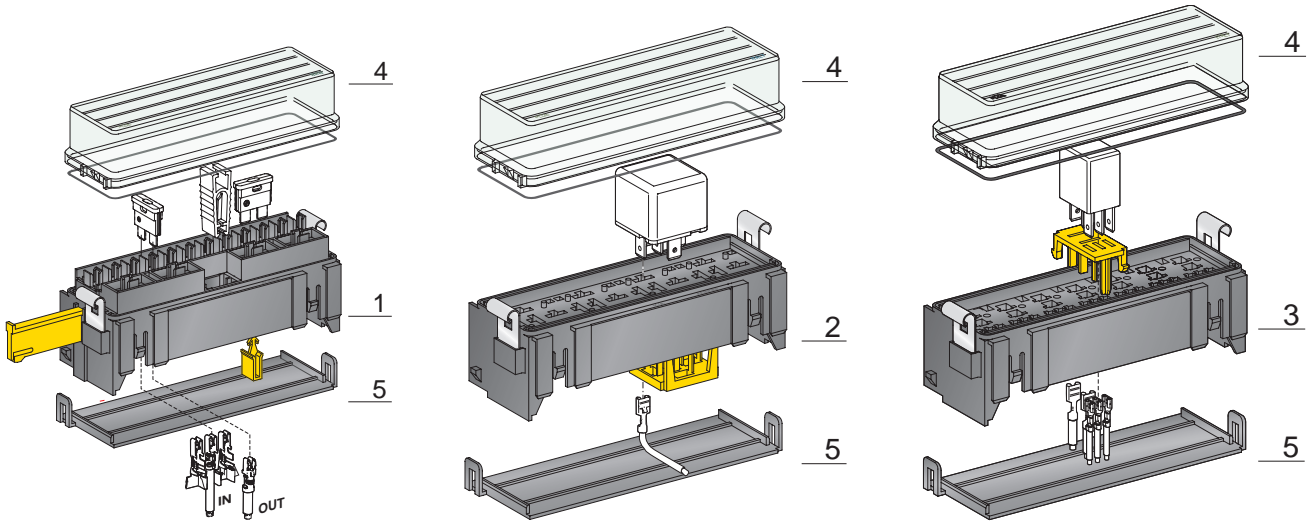
0300690



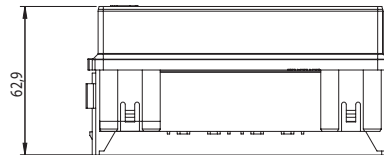
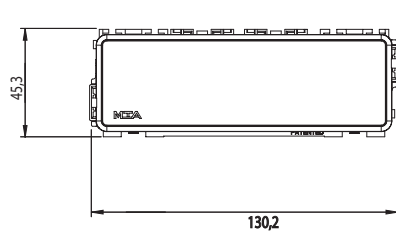
0300691



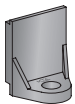
# FUSE BOXES



IMG	DESCRIPTION	WAY	MATERIAL	COLOUR	P/N KIT WITH COVER AND TERMINALS	M.O.Q.	P/N BULK	M.O.Q.
1	UNIVAL HOLDER	16	PA66 GF25	■ Black	0100655	16	0300650	36
2	MINI RELAY HOLDER	4	PA66 GF25	■ Black	0100665	16	0300660	72
3	MICRO RELAY HOLDER	7	PA66 GF25	■ Black	0100705	16	0300700	100
4	COVER WITH GASKET		PC	□ Natural			0300670	72
5	BOTTOM COVER		PA66	■ Black			0300680	72



## CONNECTIONS AND FIXINGS



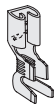
0300690  
0300691



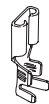
UNI F630  
BUS-BAR



UNI F630



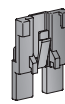
FASTON F630 WITH  
LOCKING NOTCH



FASTON F480  
PASSO 5



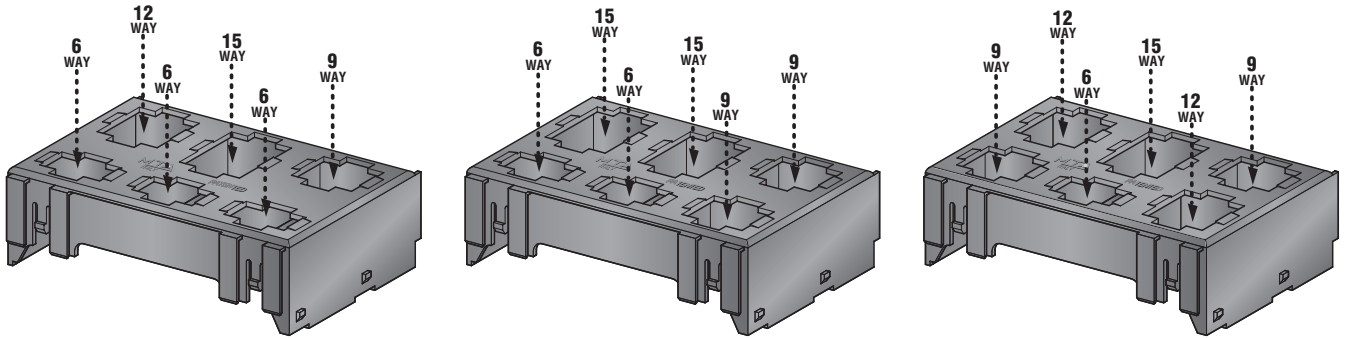
FASTON F630  
THICKNESS 0,35



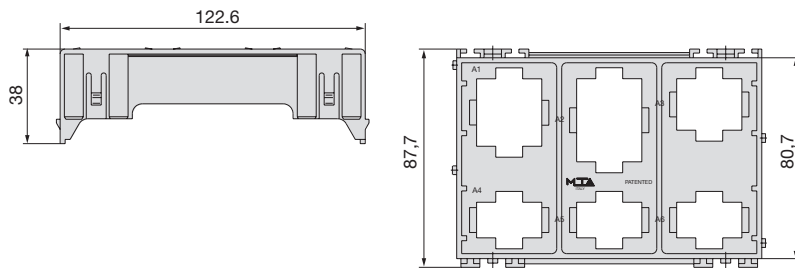
0300856

IMG	1+2+3	1	1	2	3	3	1+2+3
-----	-------	---	---	---	---	---	-------

# CONNECTOR BOX



IMG	DESCRIPTION	WAY	MATERIAL	COLOUR		P/N BULK	M.O.Q.
1	CONNECTOR BOX	6	PA66 GF30	■ Black		0300681	125
2	CONNECTOR BOX	6	PA66 GF30	■ Black		0300683	125
3	CONNECTOR BOX	6	PA66 GF30	■ Black		0300684	125



## CONNECTIONS AND FIXINGS



4426120  
6VIE/WAY



4426140  
9VIE/WAY



4426160  
12VIE/WAY



4426180  
15VIE/WAY

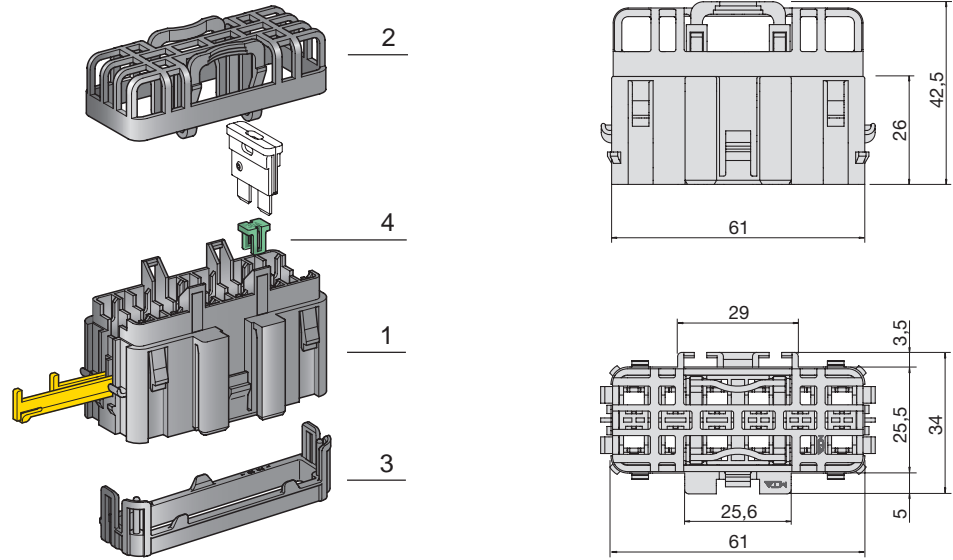


0300690



0300691

# 6-WAY U.P.L.



IMG	DESCRIPTION	WAY	MATERIAL	COLOUR	P/N KIT WITH TERMINALS	M.O.Q.	P/N BULK	M.O.Q.	
1	HOUSING	6	PA66 GF25	Black			0303006	600	
2	COVER		PA66 GF30	Black			0303009	600	
3	WIRE'S COVER		PA66	Black			0303008	1200	
4	IDENTIFICATION INSERT 3 AMP		PBT GF20	Violet			0303003	500	
	IDENTIFICATION INSERT 5 AMP		PBT GF20	Beige			0303005	500	
	IDENTIFICATION INSERT 7,5 AMP		PBT GF20	Brown			0303007	500	
	IDENTIFICATION INSERT 10 AMP		PBT GF20	Red			0303010	500	
	IDENTIFICATION INSERT 15 AMP		PBT GF20	Blue			0303015	500	
	IDENTIFICATION INSERT 20 AMP		PBT GF20	Yellow			0303020	500	
	IDENTIFICATION INSERT 25 AMP		PBT GF20	White			0303025	500	
	IDENTIFICATION INSERT 30 AMP		PBT GF20	Green			0303030	500	
	KIT WITH COVER AND TERMINALS AND BRACKET					0103000	1		

## CONNECTIONS AND FIXINGS



0300949



0300851



0300690



0300691

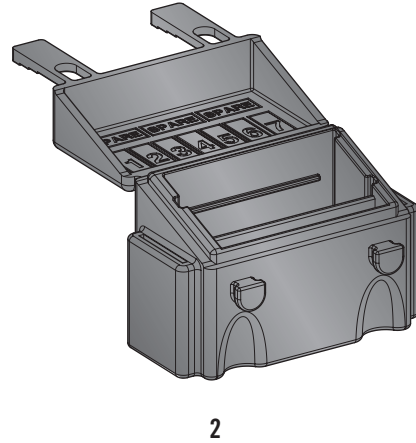
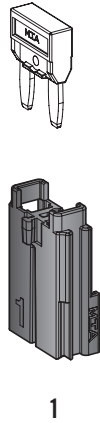


UNI F630  
BUS-BAR

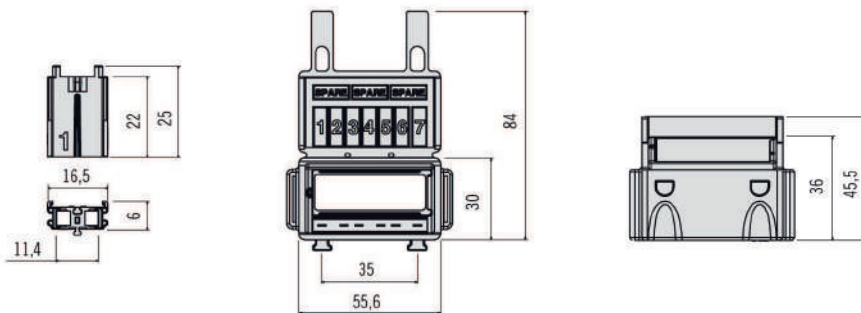


UNI F630

# SML



IMG	DESCRIPTION	WAY	MATERIAL	COLOUR	P/N KIT WITH TERMINALS	M.O.Q.	P/N BULK	M.O.Q.
1	HOUSING	1	PA66 GF30	■ Black			0301420	2800
2	MODULE FOR MINIVAL	7	EPDM-60	■ Black			0301430	400
	MODULE FOR MINIVAL KIT WITH TERMINALS	7	EPDM-60-D15	■ Black	0301435	1	0301431	400

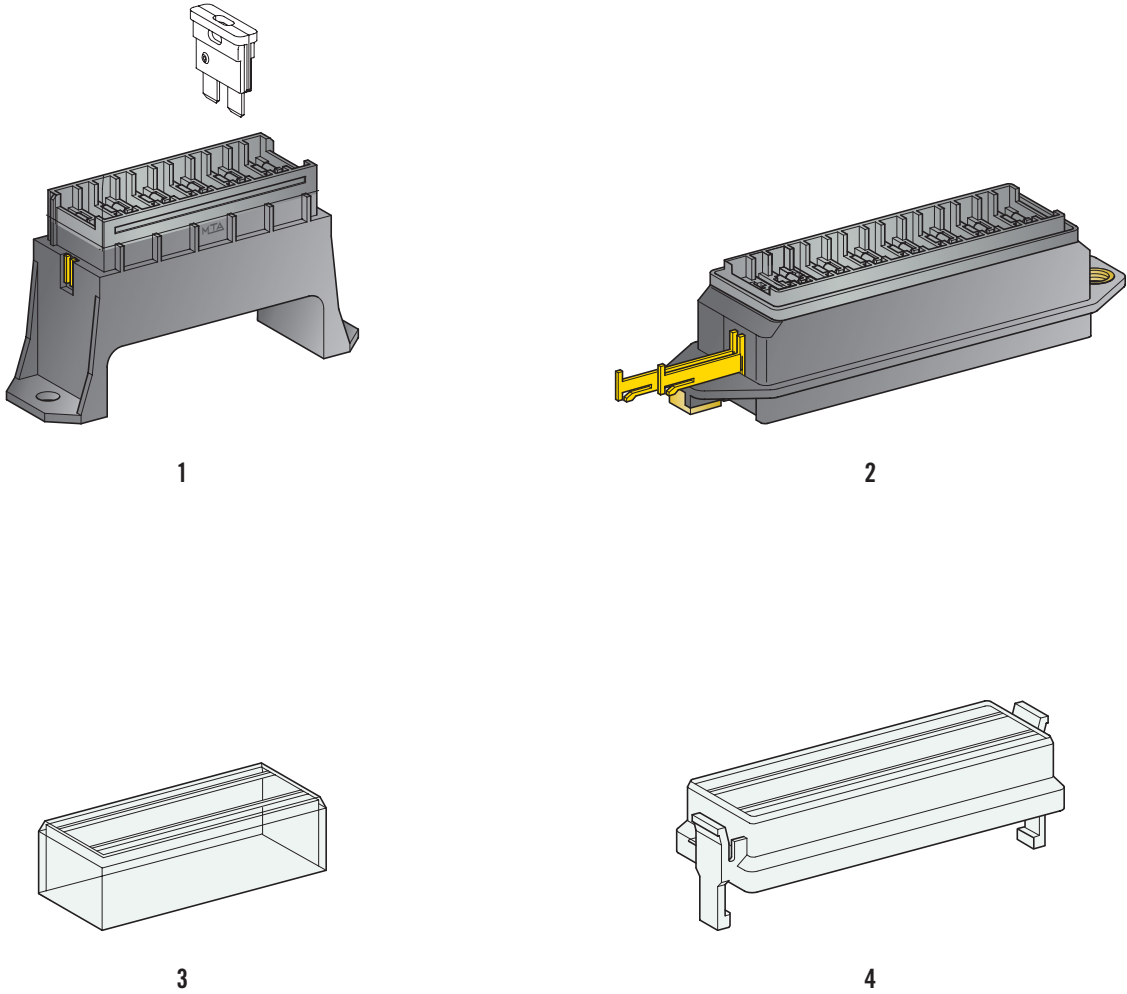


**CONNECTIONS AND FIXINGS**

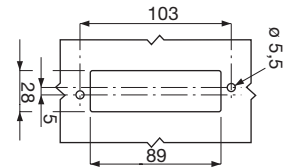
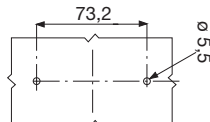
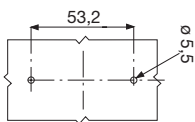


F280

# AXIAL EXITS



IMG	DESCRIPTION	WAY	MATERIAL	COLOUR	P/N KIT WITH COVER AND TERMINALS	M.O.Q.	P/N BULK	M.O.Q.
1	HOUSING WITH TERMINALS	4	PA66 GF30	■ Black	0100540	10	0300540	500
	HOUSING W/OUT TERMINALS	4	PA66 GF30	■ Black				
2	HOUSING WITH TERMINALS	6	PA66 GF30	■ Black	0100560	10	0300560	500
	HOUSING W/OUT TERMINALS	6	PA66 GF30	■ Black				
3	COVER	4	PC	□ Natural			0300542	500
	COVER	6	PC	□ Natural				
4	COVER WITH GASKET	8	PA 12	□ Natural			0300582	150
	COVER WITH GASKET	8	PA 12	□ Natural				



CONNECTIONS AND FIXINGS



UNI F630

1+2

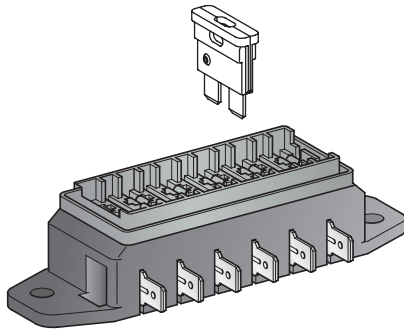


UNI F630

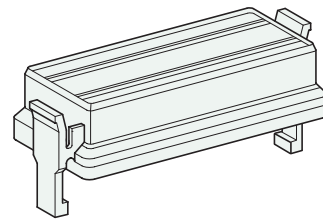
1+2

IMG

# LATERAL EXITS

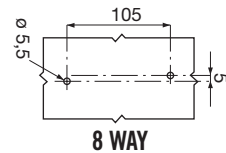
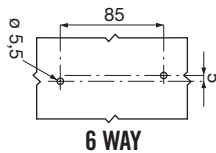
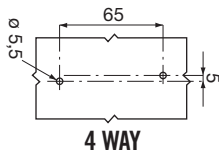


1

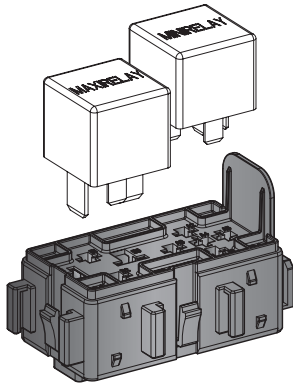


2

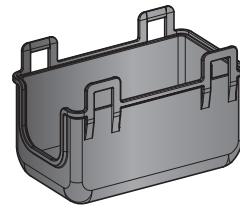
IMG	DESCRIPTION	WAY	MATERIAL	COLOUR	P/N KIT WITH COVER	M.O.Q.	P/N BULK	M.O.Q.
1	HOUSING WITH TERMINALS	4	PA66 GF30	■ Black	0100610	10	0300610	500
	HOUSING WITH TERMINALS	6	PA66 GF30	■ Black	0100600	10	0300600	400
	HOUSING WITH TERMINALS	8	PA66 GF30	■ Black	0100590	10	0300590	300
2	COVER WITH GASKET	4	PA12	□ Natural			0300612	500
	COVER WITH GASKET	6	PA12	□ Natural			0300602	100
	COVER WITH GASKET	8	PA12	□ Natural			0300582	150



# RELAY HOLDER

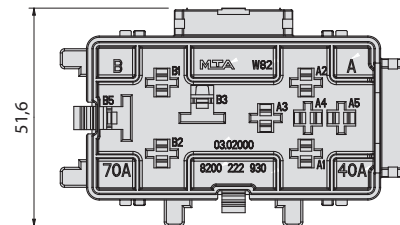
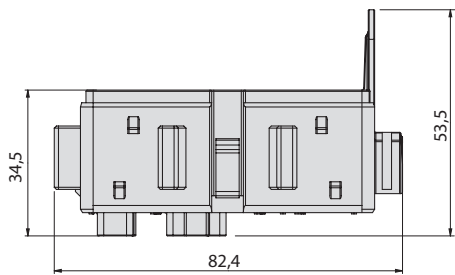


1



2

IMG	DESCRIPTION	WAY	MATERIAL	COLOUR	P/N BOX	M.O.Q.	P/N BULK	M.O.Q.
1	HOLDER FOR MAXI AND MINI RELAY	2	PBT GF20	■ Black	0102000	1	0302000	240
2	UPPER AND BOTTOM COVER		PP	■ Black	0102001	1	0302001	240



## CONNECTIONS AND FIXINGS

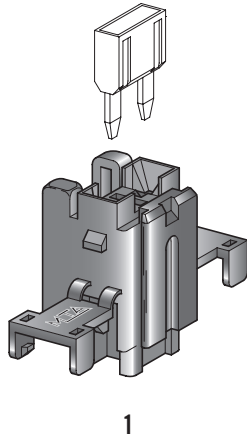


L-TYPE F950

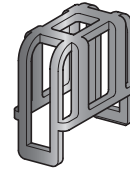


NG1 6,3

# MINIVAL® IN-LINE HOLDER

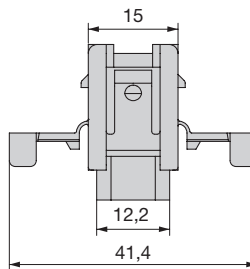
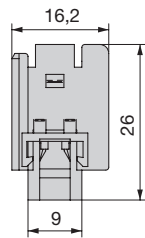


1



2

IMG	DESCRIPTION	WAY	MATERIAL	COLOUR	P/N BOX	M.O.Q.	P/N BULK	M.O.Q.	P/N BULK	M.O.Q.
1	HOUSING	1	PA66	■ Black	0101400	5	0301400	200	0301410	2000
2	COVER		PA66	■ Black	0100416	5			0300416	2000
	KIT WITH TERMINALS				3050152	20				



## CONNECTIONS AND FIXINGS



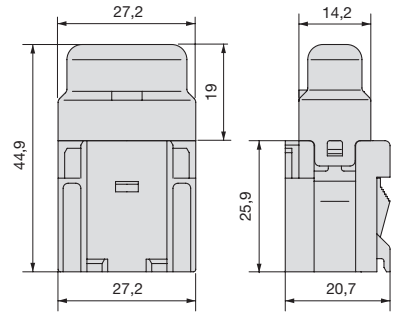
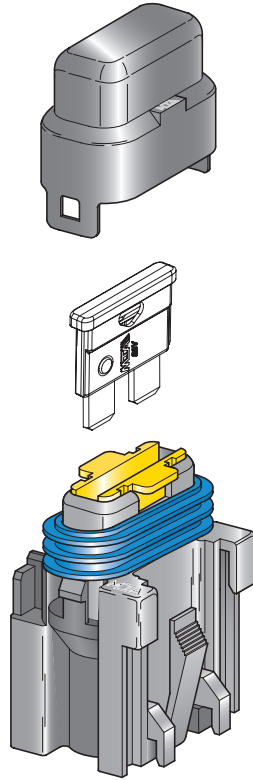
0300395  
0300398



JPT



# SPLASH PROOF UNIVAL® HOLDER



DESCRIPTION	WAY	MATERIAL	COLOUR	P/N BOX	M.O.Q.	P/N BOX	M.O.Q.	P/N BULK	M.O.Q.	
S.P. HOLDER+ COVER	1	PA66	■ Black					0301301	1500	
+ SECONDARYLOCK 1 AMP		PBT GF20	■ Black					0301305	1500	
+ SECONDARYLOCK 5 AMP		PBT GF20	■ Beige				0302305	100	0301307	1500
+ SECONDARYLOCK 7,5 AMP		PBT GF20	■ Brown						0301310	1500
+ SECONDARYLOCK 10 AMP		PBT GF20	■ Red				0302310	100	0301315	1500
+ SECONDARYLOCK 15 AMP		PBT GF20	■ Blue				0302315	100	0301320	1500
+ SECONDARYLOCK 20 AMP		PBT GF20	■ Yellow		0101320	50	0302320	100	0301325	1500
+ SECONDARYLOCK 25 AMP		PBT GF20	■ Natural				0302325	100	0301330	1500
+ SECONDARYLOCK 30 AMP	PBT GF20	■ Green				0302330	100			
KIT WITH TERMINALS GASKET AND FIXING PLATE				3050153	1					

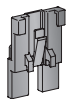
CONNECTIONS AND FIXINGS



0300949



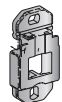
0300851



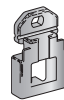
0300856



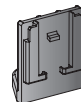
0300392



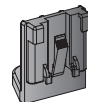
0300440



0300430



0300697

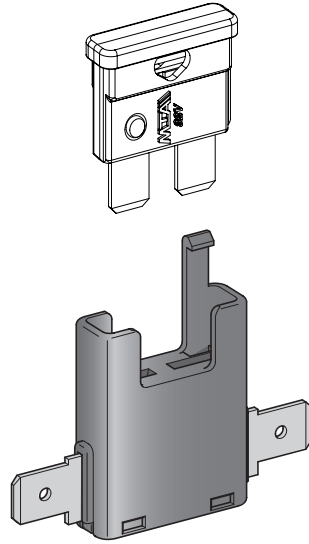


0300698

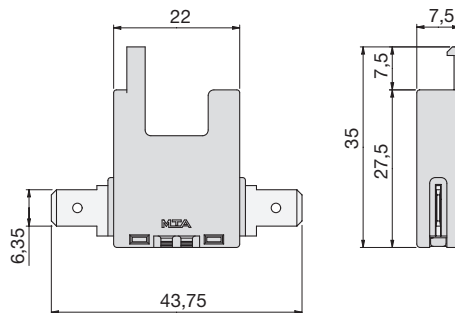


UNI F630

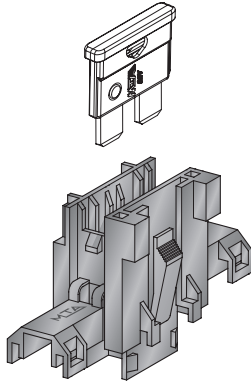
# UNIVAL®NKA HOLDER



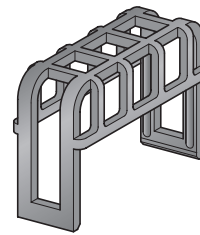
DESCRIPTION	WAY	MATERIAL	COLOUR	P/N BOX	M.O.Q.	P/N BULK	M.O.Q.
NKA FUSEHOLDER	1	PA66	Black	0100345	50	0300345	2000



# UNIVAL® HOLDER

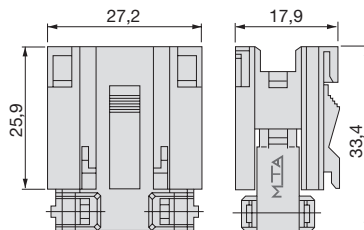


1



2

IMG	DESCRIPTION	WAY	MATERIAL	COLOUR	P/N BOX	M.O.Q.	P/N BULK	M.O.Q.		
1	HOLDER	1	PA66	Black	0100400	125	0300400	500		
	HOLDER	1	PA66	Beige					0300401	500
	HOLDER	1	PA66	Brown					0300402	500
	HOLDER	1	PA66	Red					0300403	500
	HOLDER	1	PA66	Blue					0300404	500
	HOLDER	1	PA66	Yellow					0300405	500
	HOLDER	1	PA66	White					0300406	500
	HOLDER	1	PA66	Green					0300407	500
	2	COVER		PA66 GF30					Black	0100415



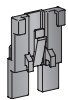
CONNECTIONS AND FIXINGS



0300949



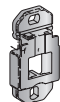
0300851



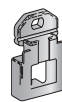
0300856



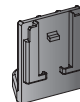
0300392



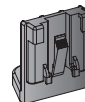
0300440



0300430



0300697

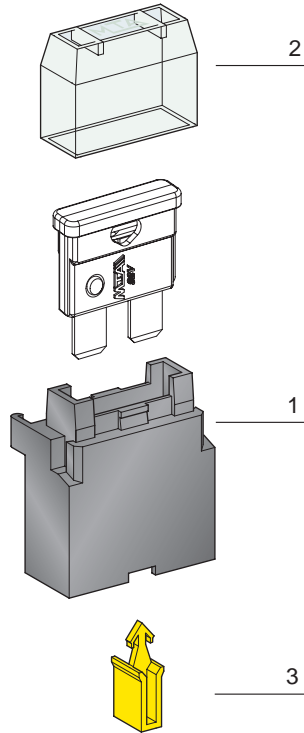


0300698

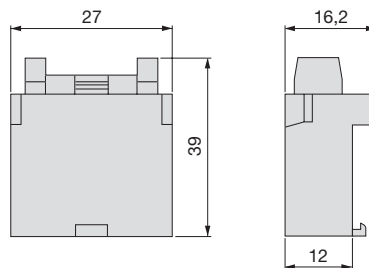


UNI F630

# UNIVAL®HOLDER



IMG	DESCRIPTION	WAY	MATERIAL	COLOUR	P/N BOX	M.O.Q.	P/N BULK	M.O.Q.
1	HOLDER WITH TERMINALS	1	PA66	Black	0100351	250	0300351	1250
	HOLDER WITHOUT TERMINALS	1	PA66	Black			0300354	1000
	HOLDER WITH TERMINALS AND CABLES	1	PA66	Black	0100350	25		
2	COVER		PC	Clear	0100359	250	0300359	500
3	SECONDARY LOCK		PA66	Yellow			0300357	250
	KIT WITH COVER, TERMINALS FIXING PLATE AND EXTRACTOR				0100353 (Blister)	20		



### CONNECTIONS AND FIXINGS



0300352

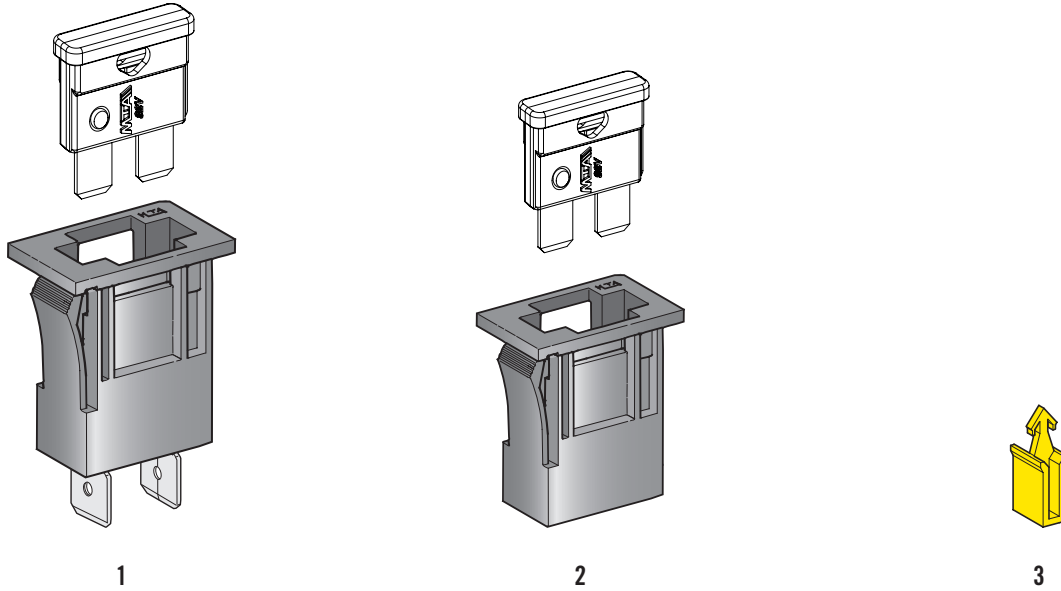


UNI F630

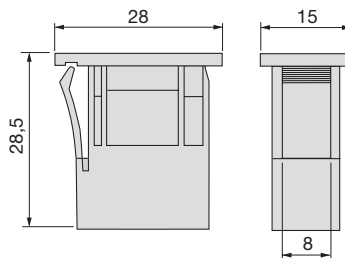


UNI F630

# UNIVAL® INSERTABLE HOLDER



IMG	DESCRIPTION	WAY	MATERIAL	COLOUR	P/N BOX	M.O.Q.	P/N BULK	M.O.Q.
1	HOLDER WITH TERMINALS	1	PA66 GF25	Black	0100330	25	0300330	500
2	HOLDER WITHOUT TERMINALS	1	PA66 GF25	Black			0300331	1000
3	SECONDARYLOCK		PA66	Yellow			0300357	250



## CONNECTIONS AND FIXINGS



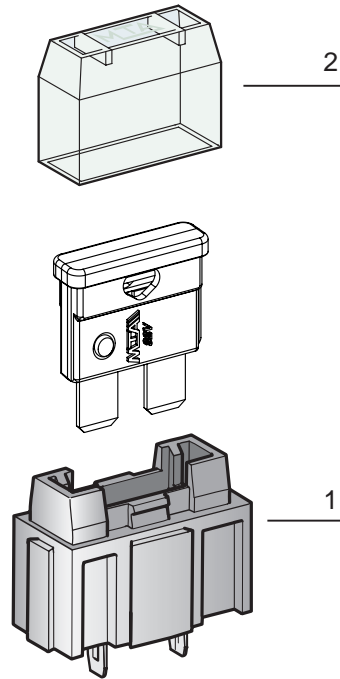
UNI F630



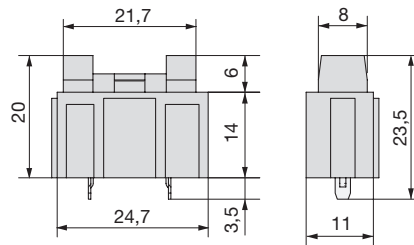
UNI F630

IMG	2	2
-----	---	---

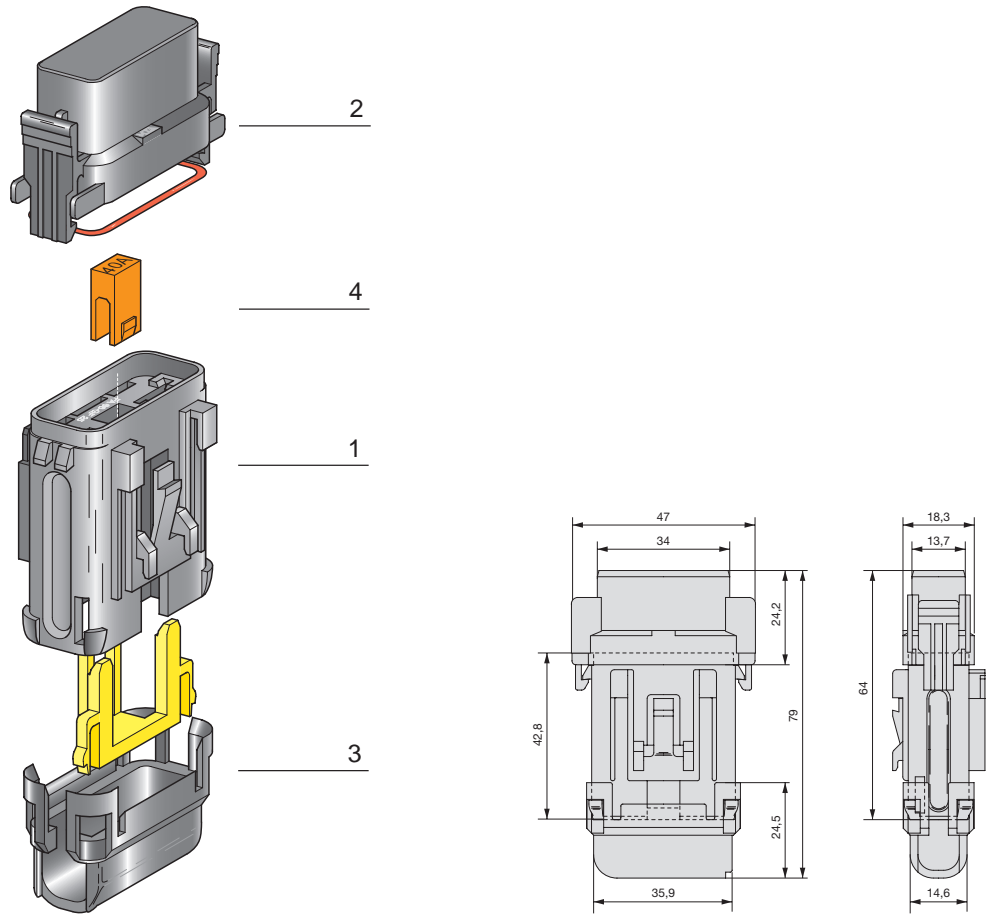
# UNIVAL® PCB HOLDER



IMG	DESCRIPTION	WAY	MATERIAL	COLOUR	P/N BOX	M.O.Q.	P/N BULK	M.O.Q.
1	HOLDER	1	PA66 GF30	■ Black	0100420	5	0300420	1000
2	COVER	1	PC	□ Natural	0100359	250	0300359	500



# SPLASH PROOF MAXIVAL® HOLDER



IMG	DESCRIPTION	WAY	MATERIAL	COLOUR	P/N BOX	M.O.Q.	P/N BULK	M.O.Q.
1	HOLDER + SECONDARY LOCK	1	PA66 GF25 PA66 GF30	Black Yellow	0321000	250	0301000	1000
2	COVER WITH GASKET		PA66	Black	0321210	250	0301210	1500
3	BOTTOM COVER		PA66	Black	0321200	250	0301200	1500
4	IDENTIFICATION INSERT 30 AMP		PBT GF20	Green			0301030	1500
	IDENTIFICATION INSERT 40 AMP		PBT GF20	Orange			0301040	1500
	IDENTIFICATION INSERT 50 AMP		PBT GF20	Red			0301050	1500
	IDENTIFICATION INSERT 60 AMP		PBT GF20	Blue			0301060	1500
	IDENTIFICATION INSERT 70 AMP		PBT GF20	Beige			0301070	1500
	IDENTIFICATION INSERT 80 AMP		PBT GF20	Natural			0301080	1500
	KIT WITH TERMINALS				0101005	10		

## CONNECTIONS AND FIXINGS



0300949



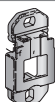
0300851



0300856



0300392



0300440

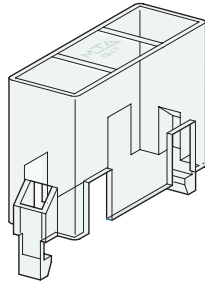


0300430



F800

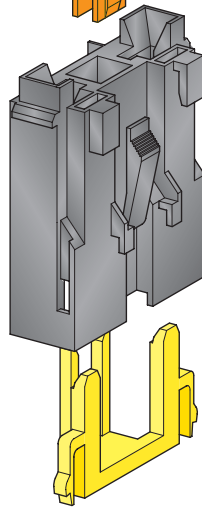
# MAXIVAL® HOLDER



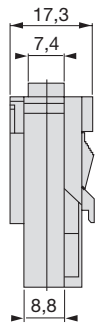
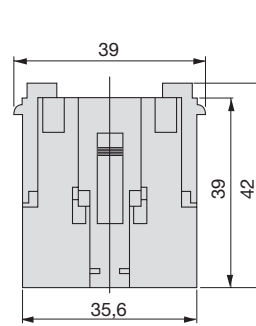
2



3



1



IMG	DESCRIPTION	WAY	MATERIAL	COLOUR	P/N BOX	M.O.Q.	P/N BULK	M.O.Q.
1	HOLDER + SECONDARYLOCK	1	PA66 GF25 PA66 GF30	■ Black ■ Yellow	0100390	50	0300390	1500
2	COVER		PC	□ Natural	0100391	10	0300391	1000
3	IDENTIFICATION INSERT 30 AMP		PBT GF20	■ Green			0301030	1500
	IDENTIFICATION INSERT 40 AMP		PBT GF20	■ Orange			0301040	1500
	IDENTIFICATION INSERT 50 AMP		PBT GF20	■ Red			0301050	1500
	IDENTIFICATION INSERT 60 AMP		PBT GF20	■ Blue			0301060	1500
	IDENTIFICATION INSERT 70 AMP		PBT GF20	■ Beige			0301070	1500
	IDENTIFICATION INSERT 80 AM		PBT GF20	□ Natural			0301080	1500
	KIT WITH TERMINALS				3001001	25		

## CONNECTIONS AND FIXINGS



0300949



0300851



0300856



0300392



0300440



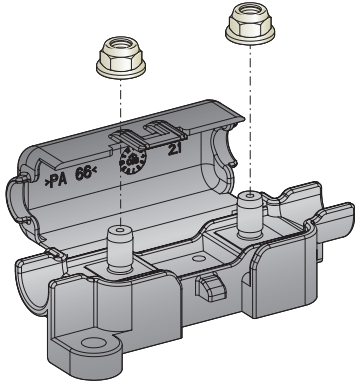
0300430



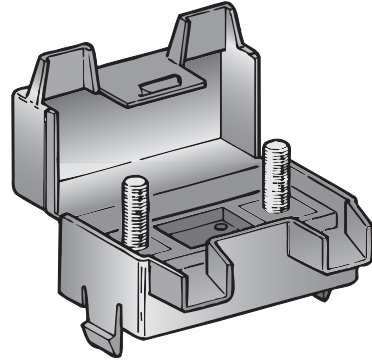
F800



# MIDIVAL® HOLDER

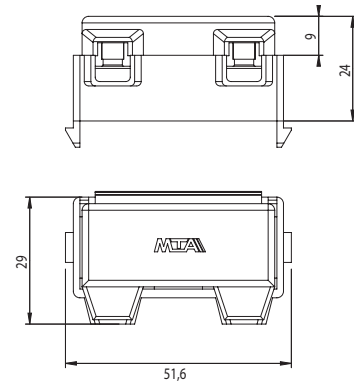
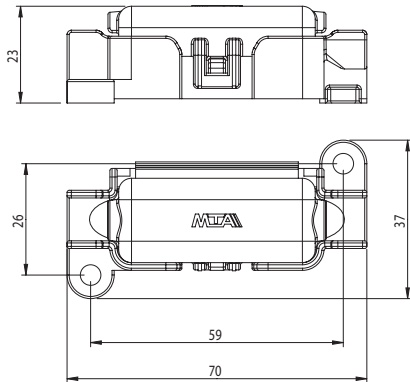


1



2

IMG	DESCRIPTION	WAY	MATERIAL	COLOUR	P/N BOX	M.O.Q.	P/N BULK	M.O.Q.
1	MIDIVAL HOLDER BOLT TYPE	1	PA66	■ Black	0100360	75	0300360	200
2	MIDIVAL HOLDER CLIP TYPE WITHOUT NUTS	1	PA66	■ Black			0300370	200
	MIDIVAL HOLDER CLIP TYPE WITH NUTS	1	PA66	■ Black	0100370	5		

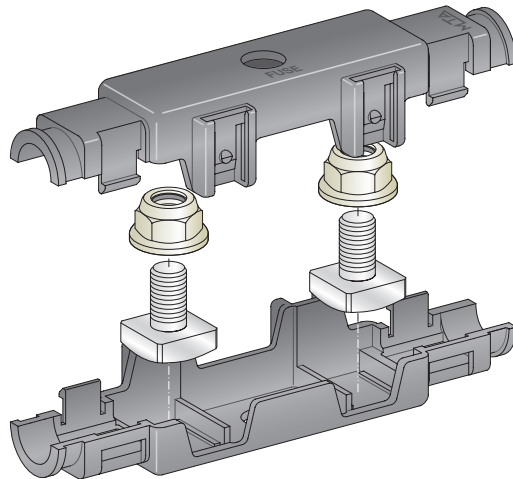


## CONNECTIONS AND FIXINGS

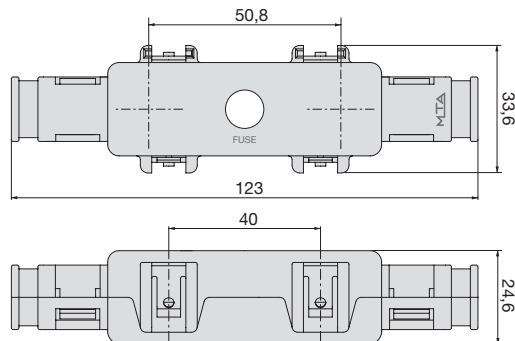


MIDI

# MEGAVAL® HOLDER



DESCRIPTION	WAY	MATERIAL	COLOUR	P/N	M.O.Q.
MEGAVAL HOLDER	1	PA66 GF30	■ Black	0300380	50
KIT WITH TERMINALS				0100380	10



## CONNECTIONS AND FIXINGS

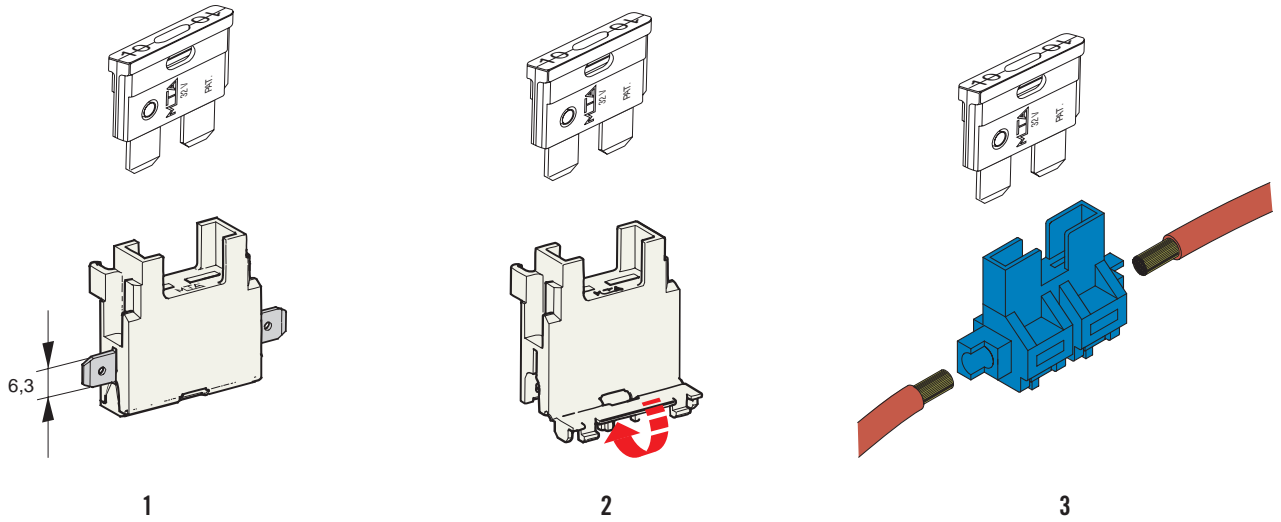


0300395  
0300398

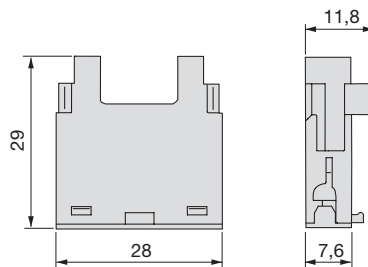


MEGA L34

# UNIVAL®HOLDER



IMG	DESCRIPTION	MATERIAL	P/N BOX	M.O.Q.	P/N BULK	M.O.Q.
1	IN LINE FUSEHOLDER WITH TERMINALS	PA66	0100341	250	0300341	1000
2	IN LINE FUSEHOLDER WITHOUT TERMINALS	PA66			0300342	5000
3	QUICK LOCK FUSEHOLDER	PA66	0100334	25		



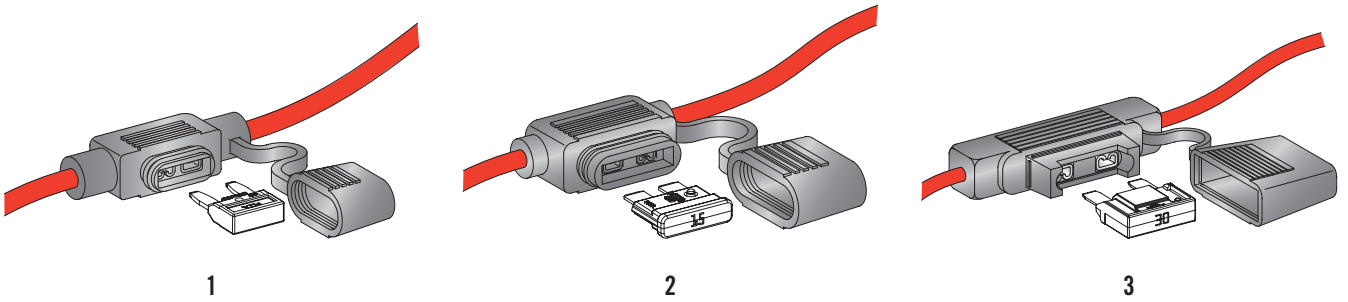
## CONNECTIONS AND FIXINGS



FASTON F630  
FLAG

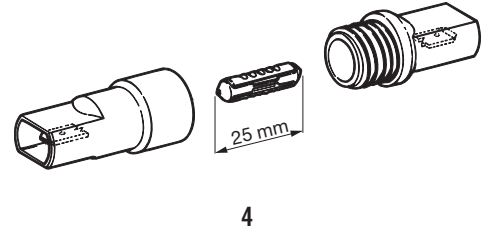
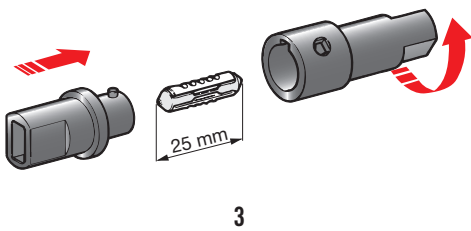
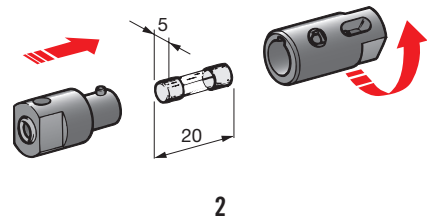
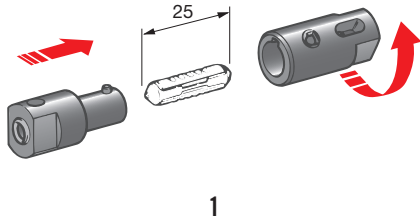
IMG 2

# WATERPROOF FUSE HOLDER

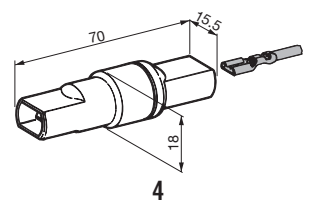
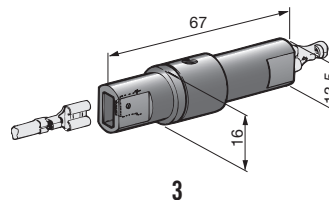
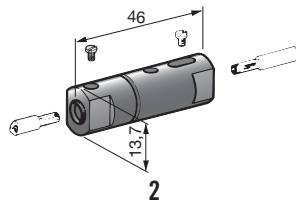
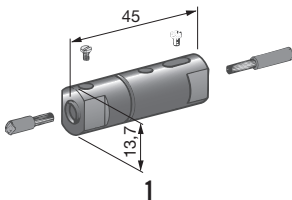


IMG	DESCRIPTION	P/N BOX	M.O.Q.	P/N BULK	M.O.Q.
1	WP MINIVAL FUSEHOLDER WITH CABLE 4mm <sup>2</sup> L = 120 mm	0100335	5		
2	WP UNIVAL FUSEHOLDER WITH CABLE 4mm <sup>2</sup> L = 120 mm	0100336	5	0300336	500
3	WP MAXIVAL FUSEHOLDER WITH CABLE 10mm <sup>2</sup> L = 120 mm	0100337	1		

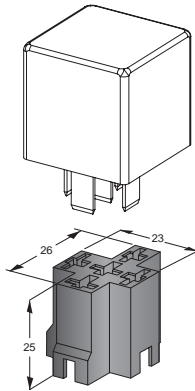
# GLASS & CONTINENTAL FUSE HOLDER



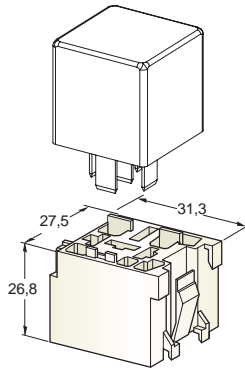
IMG	DESCRIPTION	COLOUR	CABLE	P/N BOX	M.O.Q.	P/N BULK	M.O.Q.
1	FUSEHOLDER WITH BLACK CONTINENTAL FUSE 8A	■ Black	0.25÷2	0100300	25	0300300	1000
	FUSEHOLDER WITH GREEN CONTINENTAL FUSE 16A	■ Black				0350002	1000
2	FUSEHOLDER WITH GLASS FUSE 2A - 5X20 mm	■ Black	0.25÷2	0100306	25	0300306	1000
3	FUSEHOLDER WITH BLACK CONTINENTAL FUSE 8A	■ Black	Male connection 6.3 mm	0100303	25		
	FUSEHOLDER WITHOUT CONTINENTAL FUSE	■ Black	Male connection 6.3 mm			0300305	500
4	FUSEHOLDER WITH BLACK CONTINENTAL FUSE 8A	□ White	Male connection 6.3 mm	0100304	25		



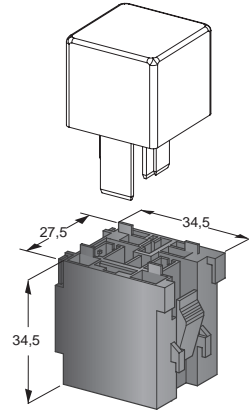
# RELAY HOLDER



1



2



3

IMG	DESCRIPTION	MATERIAL	COLOUR	P/N BOX	M.O.Q.	P/N BULK	M.O.Q.
1	MINI RELAY HOLDER	PA	■ Black	4410246	50		
2	MINI RELAY HOLDER	PA	□ Neutral	4410245	50	4510245	500
	KIT HOLDER + TERMINALS + FIXING PLATE			3050135	1		
3	MAXI RELAY HOLDER	PA	■ Black	4410247	50	4510247	250
	KIT HOLDER + TERMINALS + FIXING PLATE			3050136	1		

## CONNECTIONS AND FIXINGS



F630



01.00392



01.00440



01.00430



F630  
W/LOCK.NOTCH



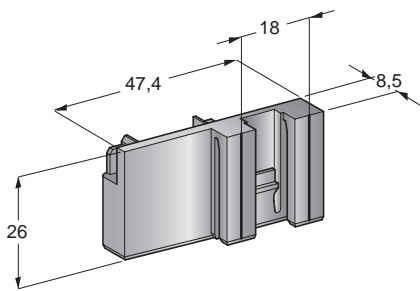
ANTISF F630



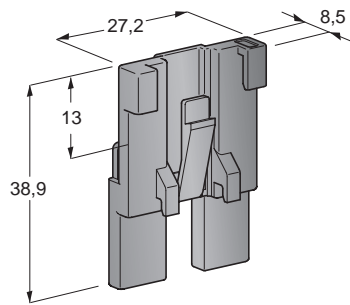
FASTON F950  
W/LOCK.NOTCH

IMG	1	2+3	2+3	2+3	2	3	3
-----	---	-----	-----	-----	---	---	---

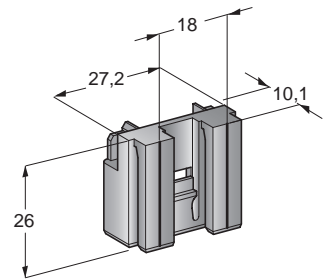
# ADAPTERS



1



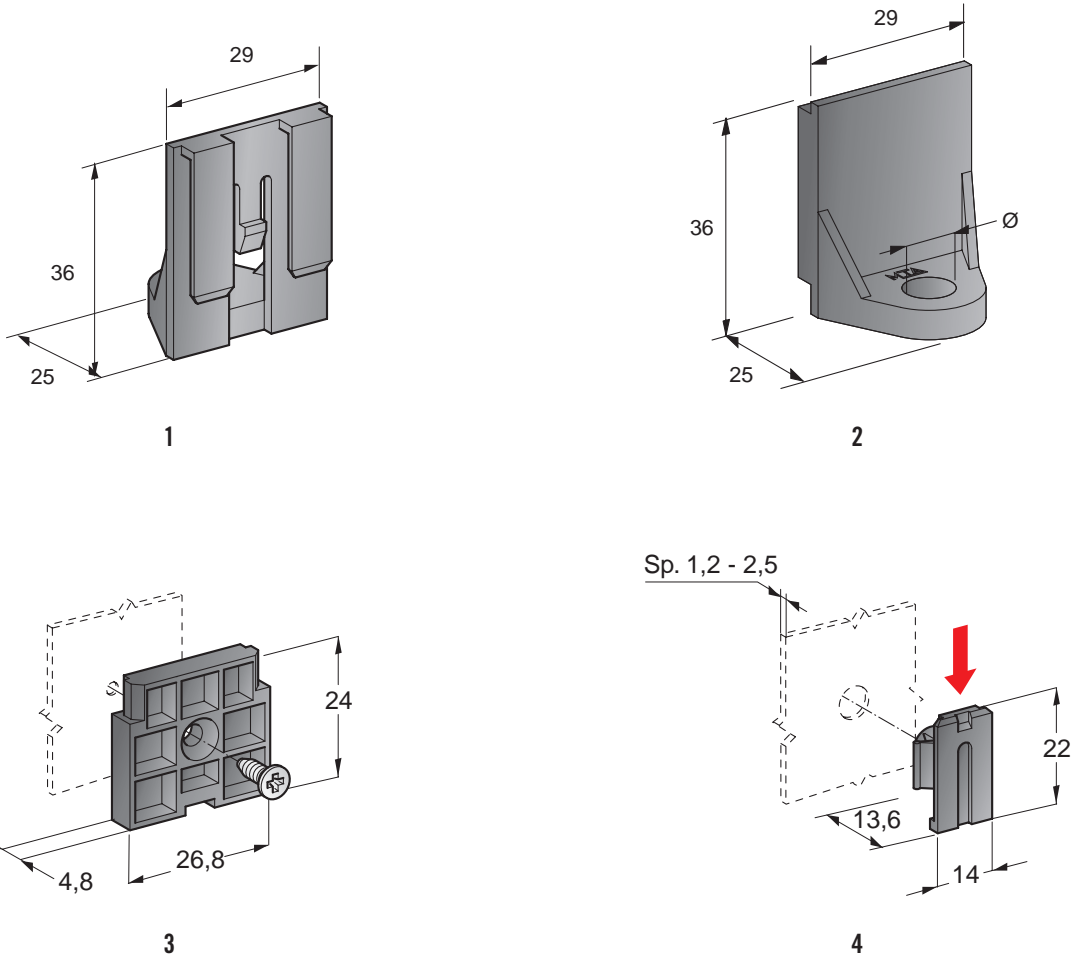
2



3

IMG	DESCRIPTION	MATERIAL	COLOUR		P/N BULK	M.O.Q.
1	ADAPTER	PA66 GF25	■ Black		0300851	1000
2	ADAPTER	PA66 GF25	■ Black		0300856	1500
3	ADAPTER	PA66 GF25	■ Black		0300949	1500

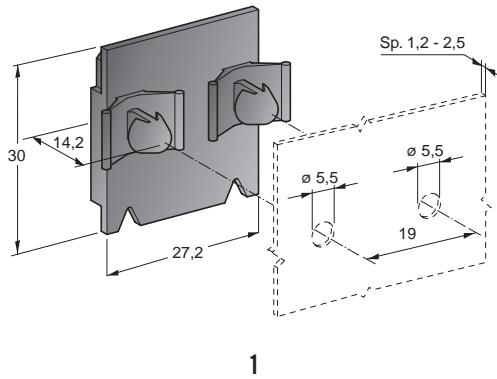
# FIXING PLATES



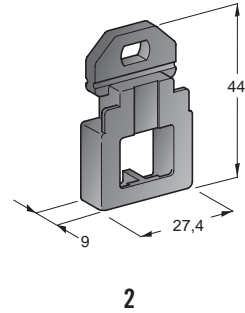
IMG	DESCRIPTION	Ø mm	MATERIAL	COLOUR	P/N BOX	M.O.Q.	P/N BULK	M.O.Q.
1	MOUNTING BRACKET MALE	8,5	PA66	■ Black			0300690	100
2	MOUNTING BRACKET FEMALE	8,5	PA66	■ Black			0300691	100
3	FIXING PLATE WITH 1 SCREW	3,6	PP GF30	■ Black	0100352	250	0300352	1000
4	FIXING PLATE BY PRESSURE	6,5	PA66	■ Black			0300395	1000
	FIXING PLATE BY PRESSURE	8,0	PA66	■ Black			0300398	1000



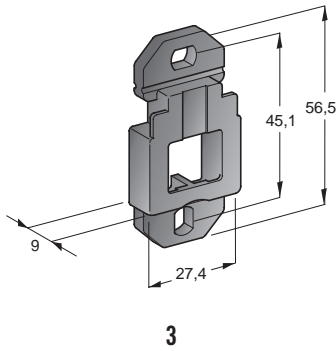
# FIXING PLATES



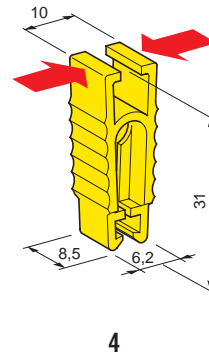
1



2



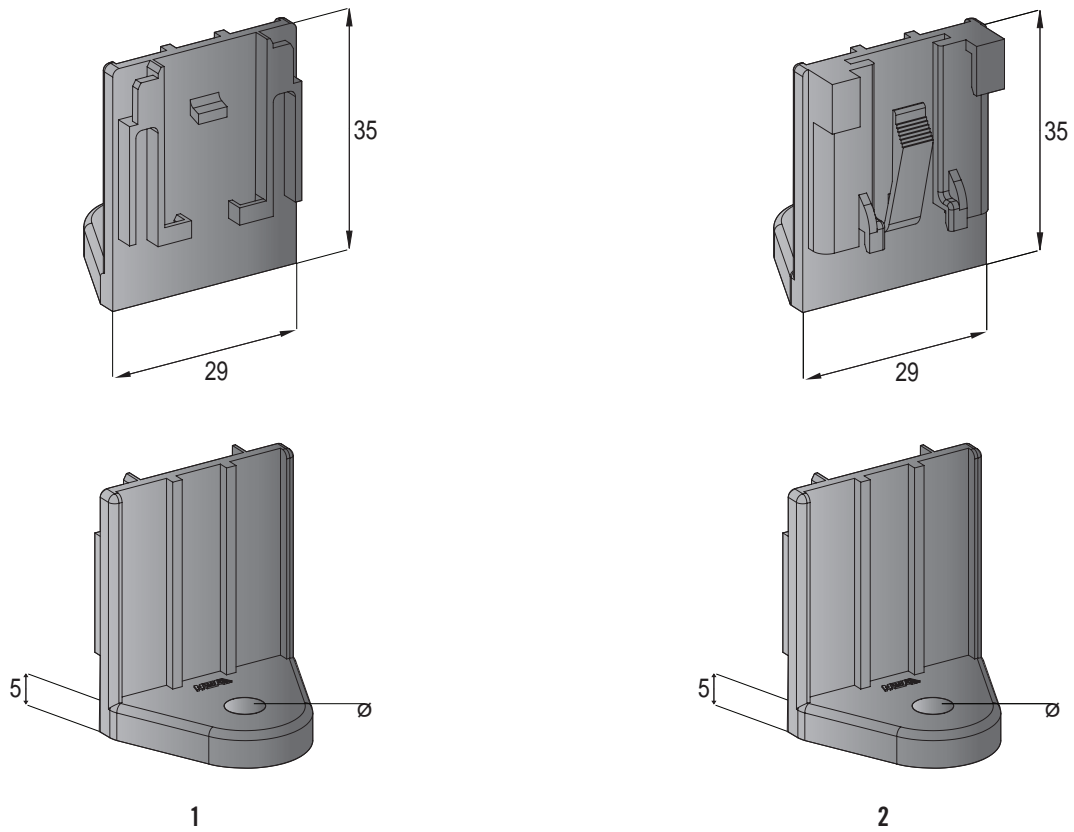
3



4

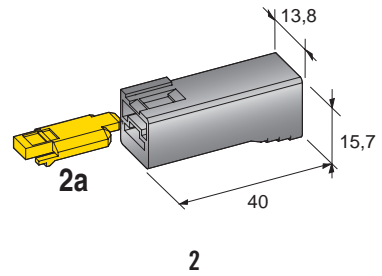
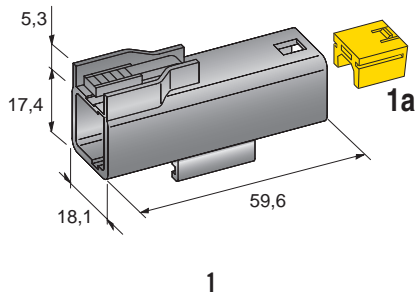
IMG	DESCRIPTION	SCREW Ø mm	MATERIAL	COLOUR	P/N BOX	M.O.Q.	P/N BULK	M.O.Q.
1	FIXING PLATE	5,5	PA66	■ Black	0100392	100	0300392	1000
2	FIXING PLATE	M 5	PA66	■ Black	0100430	100	0300430	1000
3	FIXING PLATE	M 5	PA66	■ Black	0100440	100	0300440	250
4	EXTRACTOR FOR BLADE FUSE		PP	■ Yellow	0100358	250	0300358	3000

# FIXING PLATES



IMG	DESCRIPTION	∅ mm	MATERIAL	COLOUR		P/N BULK	M.O.Q.
1	MOUNTING BRACKET MALE	5,5	PA66	■ Black		0300697	100
2	MOUNTING BRACKET FEMALE	5,5	PA66	■ Black		0300698	100

# 1-WAY POWER



IMG	DESCRIPTION	WAY	MATERIAL	COLOUR	P/N BOX WITH S.LOCK	M.O.Q.	P/N BULK	M.O.Q.
1	MALE HOLDER	1	PA66 GF25	Black	4440200	20	4540205	1200
2	FEMALE HOLDER	1	PA66 GF25	Black	4440100	20	4540105	2400
	FEMALE HOLDER POLARIZED	1	PA66 GF30	Blue	4440140	20		
	FEMALE HOLDER POLARIZED	1	PA66 GF30	Grey	4440130	20		
1a	SECONDARY LOCK		PA66	Yellow			4545200	2400
2a	SECONDARY LOCK		PA66	Yellow			4545100	4800

## CONNECTIONS AND FIXINGS



M800



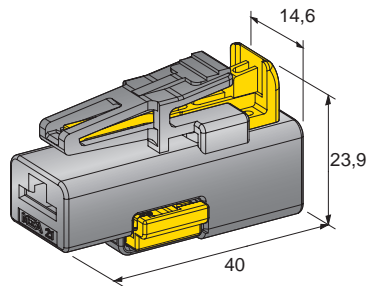
F800



0300395  
0300398

IMG	1	2	1
-----	---	---	---

# 1-WAY POWER



1

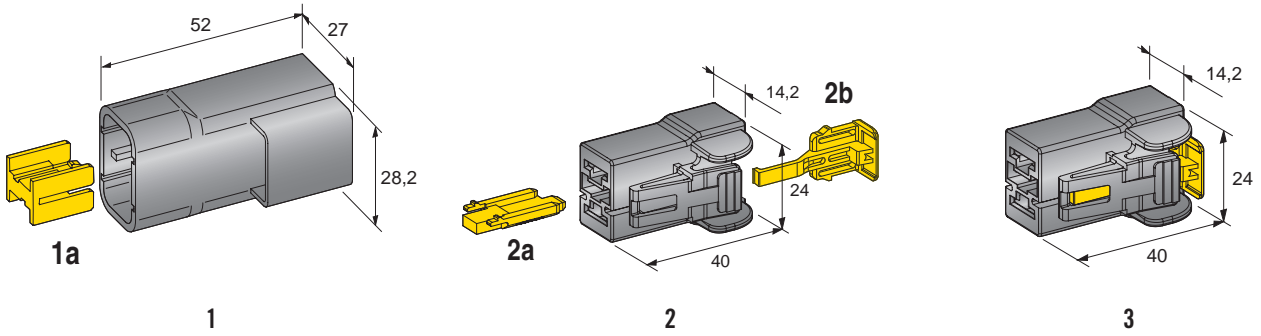
IMG	DESCRIPTION	WAY	MATERIAL	COLOUR	P/N BULK	M.O.Q.
1	FEMALE HOLDER WITH SECONDARY LOCK AND CPA	1	PA66 GF30	■ Black	4540150	700

## CONNECTIONS AND FIXINGS



F800

# 2-WAY POWER



IMG	DESCRIPTION	WAY	MATERIAL	COLOUR	P/N BOX WITH S.LOCK	M.O.Q.	P/N BULK	M.O.Q.
1	MALE HOLDER	2	PA66 GF30	Black	4440400	10	4540405	1200
2	FEMALE HOLDER	2	PA66 GF30	Black	4440300	10	4540305	1200
3	FEMALE HOLDER WITH CPA	2	PA66 GF30	Black			4540302	1200
1a	SECONDARY LOCK		PA66 GF30	Yellow			4545400	1200
2a	SECONDARY LOCK		PA66	Yellow			4545100	4800
2b	CPA		PA66 GF30	Yellow			4545300	2400

## CONNECTIONS AND FIXINGS



M800



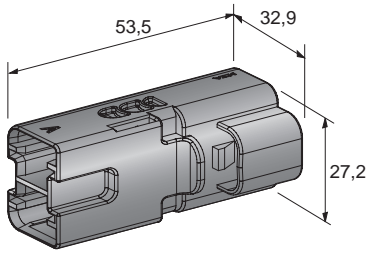
F800



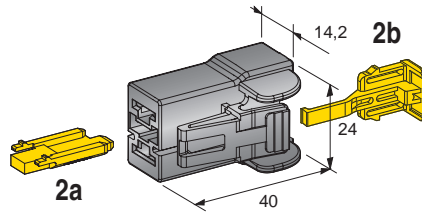
0300395  
0300398

IMG	1	2+3	1
-----	---	-----	---

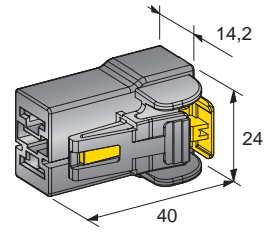
# 2-WAY POWER



1



2



3

IMG	DESCRIPTION	WAY	MATERIAL	COLOUR	P/N BOX WITH S.LOCK	M.O.Q.	P/N BULK	M.O.Q.
1	MALE HOLDER POLARIZED	2	PA66 GF30	Blue			4540410	1200
	MALE HOLDER POLARIZED	2	PA66 GF30	Grey			4540420	1200
	MALE HOLDER POLARIZED	2	PA66 GF30	Green			4540430	1000
2	FEMALE HOLDER POLARIZED	2	PA66 GF30	Blue	4440310	10	4540315	1200
	FEMALE HOLDER POLARIZED	2	PA66 GF30	Grey	4440340	10	4540345	1200
	FEMALE HOLDER POLARIZED	2	PA66 GF30	Green			4540325	1200
	FEMALE HOLDER POLARIZED	2	PA66 GF30	Brown			4540335	1200
3	FEMALE HOLDER POLARIZED WITH CPA	2	PA66 GF30	Blue			4540312	1200
2a	SECONDARY LOCK	-	PA66	Yellow			4545100	4800
2b	CPA	-	PA66 GF30	Yellow			4545300	2400

CONNECTIONS AND FIXINGS



M800



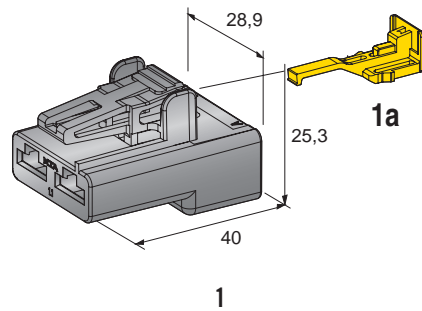
F800



0300395  
0300398

IMG	1	2+3	1
-----	---	-----	---

## 2-WAY POWER



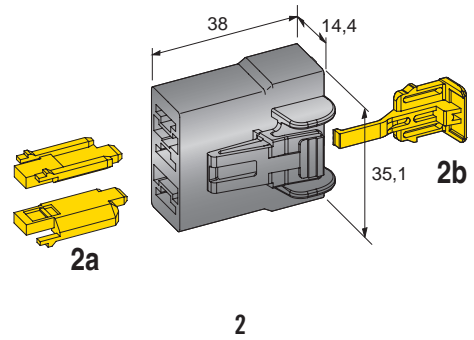
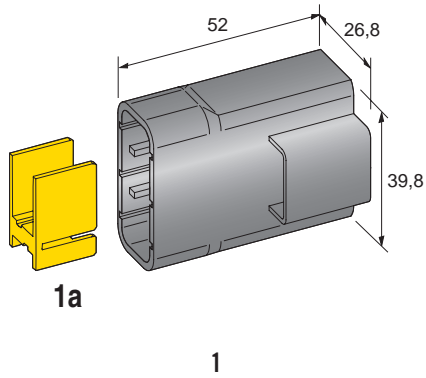
IMG	DESCRIPTION	WAY	MATERIAL	COLOUR		P/N BULK	M.O.Q.
1	FEMALE HOLDER POLARIZED	2	PA66 GF13	Blue		4540500	600
	FEMALE HOLDER POLARIZED	2	PA66 GF13	Green		4540501	600
1a	CPA		PA66 GF30	Yellow		4545300	2400

### CONNECTIONS AND FIXINGS



F800

# 3-WAY POWER



IMG	DESCRIPTION	WAY	MATERIAL	COLOUR	P/N BOX WITH S.LOCK	M.O.Q.	P/N BULK	M.O.Q.
1	MALE HOLDER	3	PA66 GF25	■ Black	4440800	10	4540805	1200
	MALE HOLDER POLARIZED	3	PA66 GF25	■ Blue			4540815	700
2	FEMALE HOLDER	3	PA66 GF30	■ Black	4440700	10	4540705	1200
	FEMALE HOLDER POLARIZED	3	PA66 GF30	■ Blue			4540715	1200
	FEMALE HOLDER POLARIZED	3	PA66 GF30	■ Grey			4540735	1200
1a	SECONDARY LOCK		PA66 GF30	■ Yellow			4545800	1200
2a	SECONDARY LOCK		PA66	■ Yellow			4545100	4800
2b	CPA		PA66 GF30	■ Yellow			4545300	2400

## CONNECTIONS AND FIXINGS



M800



F800

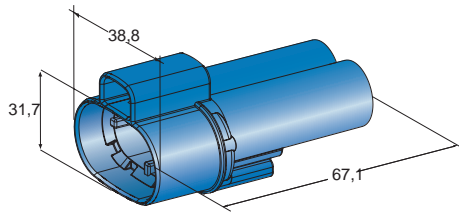


0300395  
0300398

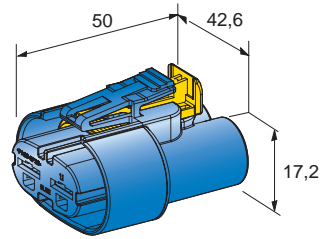
IMG	1	2	1
-----	---	---	---



# 2-WAY POWER WATER PROOF



1



2

IMG	DESCRIPTION	WAY	MATERIAL	COLOUR		P/N BULK	M.O.Q.
1	MALE HOLDER	2	PA66 GF30	Blue		4540210	600
	MALE HOLDER	2	PA66 GF30	Green		4540211	700
2	FEMALE HOLDER WITH GASKET	2	PA66 GF30	Blue		4540110	600
	FEMALE HOLDER WITH GASKET	2	PA66 GF30	Green		4540111	600
	FEMALE HOLDER WITH GASKET	2	PA66 GF30	Black		4540112	600
	FEMALE HOLDER WITH GASKET	2	PA66 GF30	Grey		4540113	600

## CONNECTIONS AND FIXINGS



WP M 800



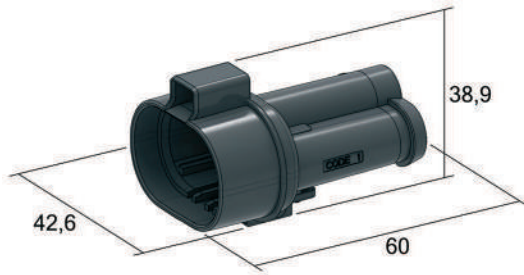
WP F 800



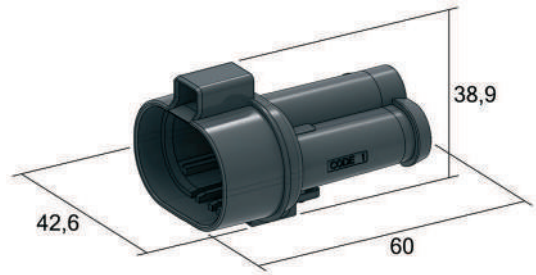
0300395  
0300398

IMG	1	2	1
-----	---	---	---

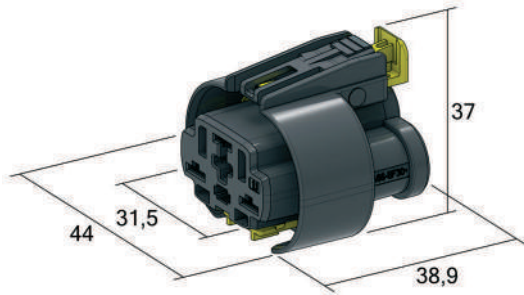
# 2-4 WAY POWER WATER PROOF



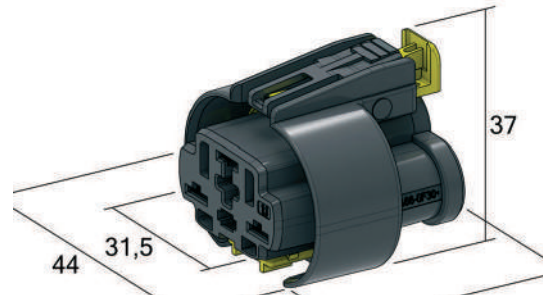
1



2

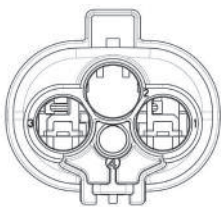


3

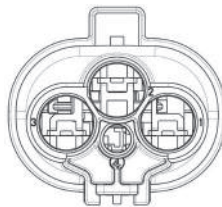


4

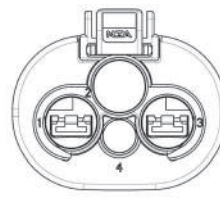
IMG	DESCRIPTION	WAY	MATERIAL	COLOUR		P/N BULK	M.O.Q.
1	MALE HOLDER	2	PA66 GF30	■ Black		4551900	TBD
2	MALE HOLDER	4	PA66 GF30	■ Black		4551899	TBD
3	FEMALE HOLDER WITH GASKET	2	PA66 GF30	■ Black		4551898	TBD
4	FEMALE HOLDER WITH GASKET	4	PA66 GF30	■ Black		4551897	TBD



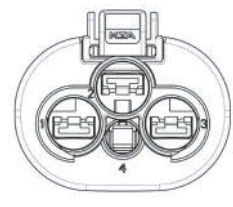
2 WAY



4 WAY



2 WAY



4 WAY

## CONNECTIONS AND FIXINGS



M630 WP



JPT WP M280



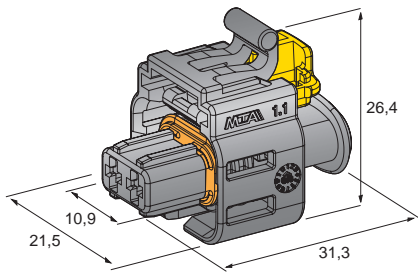
F630 WP



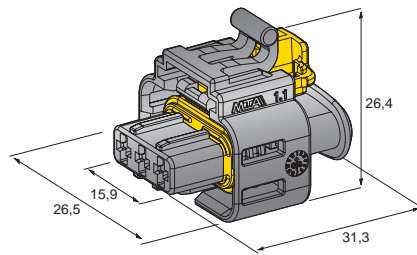
F280 WP

IMG	1 + 2	2	3 + 4	4
-----	-------	---	-------	---

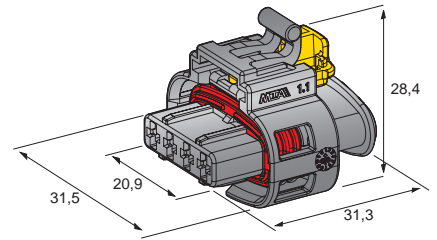
# HP6 2,3 & 4-WAY



1



2



3

IMG	DESCRIPTION	WAY	MATERIAL	COLOUR	P/N BOX	M.O.Q.	P/N BULK	M.O.Q.
1	FEMALE HOLDER	2	PA66 GF30	■ Black	4410840	250	4510840	2500
2	FEMALE HOLDER CODE I	3	PA66 GF30	■ Black	4410881	250	4510881	2500
	FEMALE HOLDER CODE II	3	PA66 GF30	■ Black	4410880	250	4510880	2500
3	FEMALE HOLDER CODE I	4	PA66 GF30	■ Black	4410891	250	4510891	2500
	FEMALE HOLDER CODE II	4	PA66 GF30	■ Black	4410890	250	4510890	2500

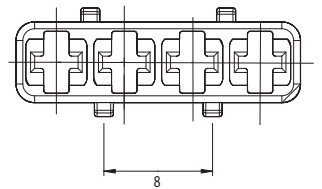
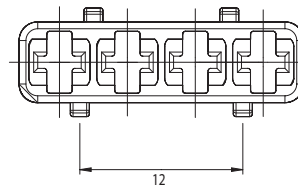
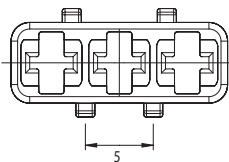
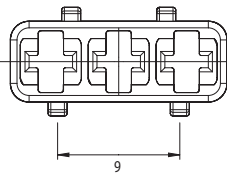
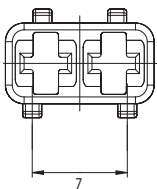
1

2 CODE I

2 CODE II

3 CODE I

3 CODE II



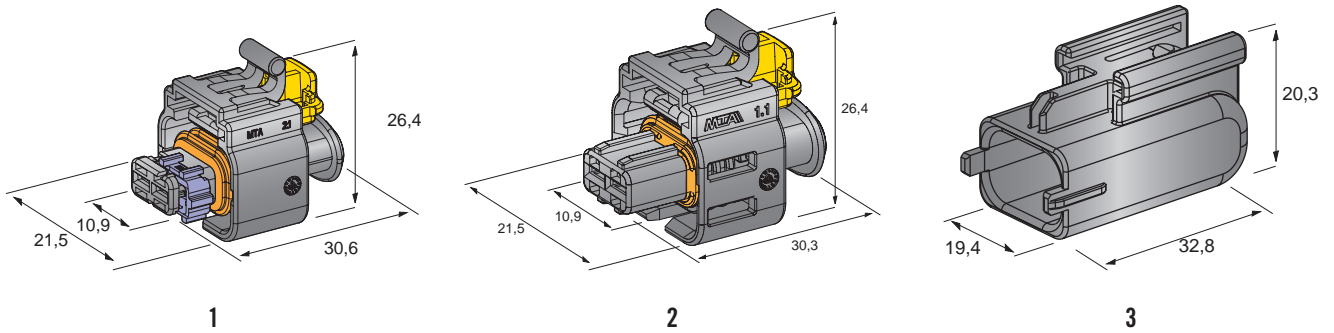
## CONNECTIONS AND FIXINGS



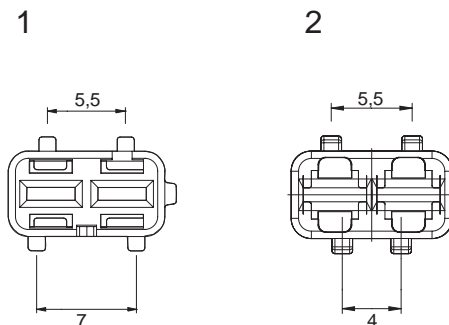
HP6 280

IMG 1+2+3

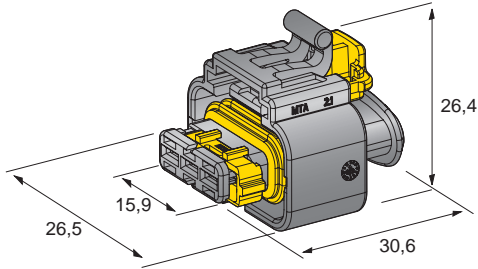
# C 280 2-WAY



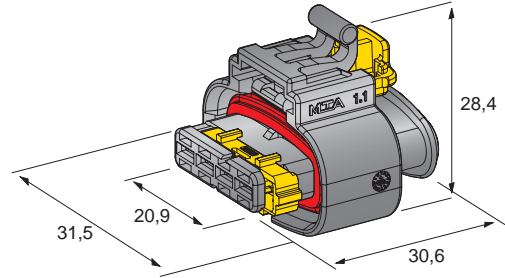
IMG	DESCRIPTION	WAY	MATERIAL	COLOUR	S.LOCK COLOUR	P/N BOX	M.O.Q.	P/N BULK	M.O.Q.
1	F. HOLDER FOR BDK & BSK TERMINALS	2	PA66 GF30	■ Black	■ Violet	4410801	250	4510801	2500
2	F. HOLDER FOR JPT TERMINALS	2	PA66 GF30	■ Black		4410830	250	4510830	2500
3	CAP FOR CONNECTORS 4510801/830	2	PA66 GF30	■ Black				4510802	3000



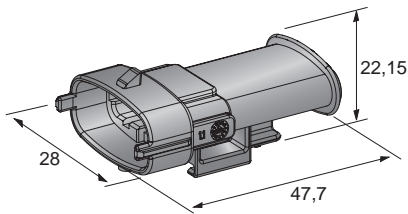
# C 280 3&4-WAY



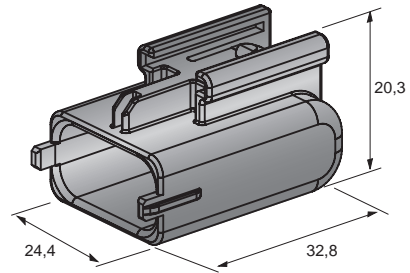
1



2



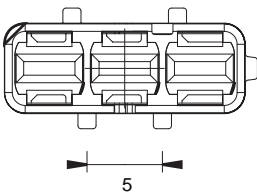
3



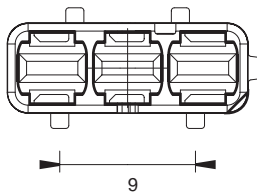
4

IMG	DESCRIPTION	WAY	MATERIAL	COLOUR	S.LOCK COLOUR	P/N BOX	M.O.Q.	P/N BULK	M.O.Q.
1	F. HOLDER FOR BDK & BSK TERMINALS	3	PA66 GF30	■ Black	■ Yellow	4410810	250	4510810	2500
	F. HOLDER FOR BDK & BSK TERMINALS	3	PA66 GF30	■ Black	■ Violet	4410811	250	4510811	2500
2	F. HOLDER FOR BDK & BSK TERMINALS	4	PA66 GF30	■ Black	■ Yellow	4410820	250	4510820	2500
	F. HOLDER FOR BDK & BSK TERMINALS	4	PA66 GF30	■ Black	■ Violet	4410821	250	4510821	2500
3	MALE HOLDER FOR 4510821	4	PA66 GF30	■ Black		4410921	250	4510921	2000
4	CAP FOR CONNECTORS 4510810/811	3	PA66 GF30	■ Black				4510812	2800

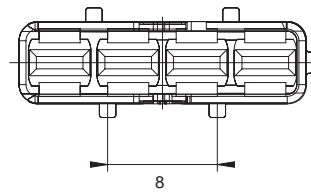
1 YELLOW



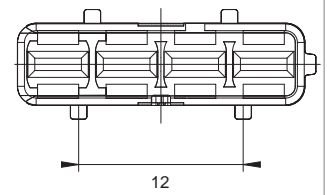
1 VIOLET



2 YELLOW



2 VIOLET



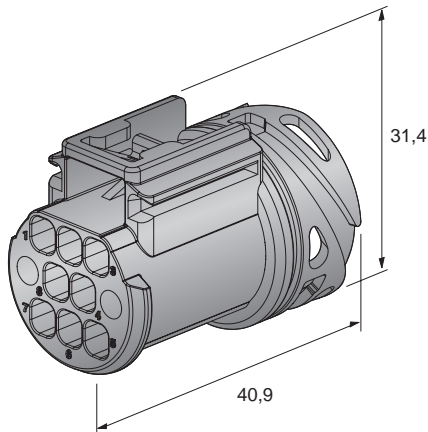
CONNECTIONS AND FIXINGS



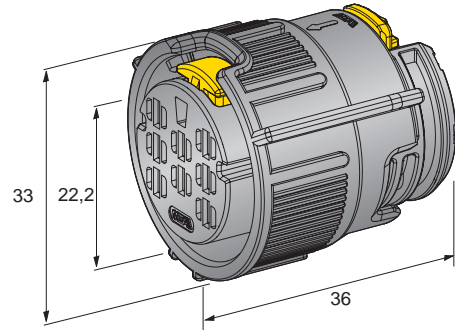
0300489

IMG 3

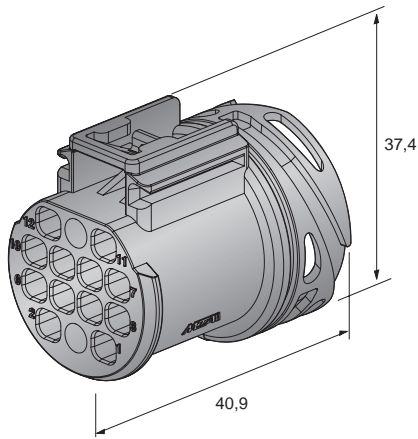
# RC 280 8 & 12-WAY



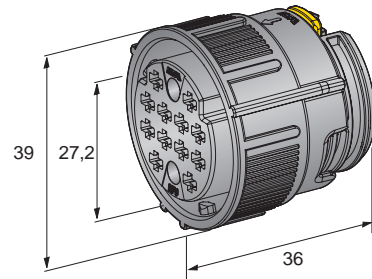
1



2



3



4

IMG	DESCRIPTION	WAY	MATERIAL	COLOUR	P/N BOX	M.O.Q.	P/N BULK	M.O.Q.
1	MALE HOLDER FOR TABS 2,8 x 0,8	8	PA66 GF30	■ Black	4410970	20	4510970	500
2	FEMALE HOLDER FOR BDK & BSK TERMINALS	8	PA66 GF30	■ Black	4410870	20	4510870	120
3	MALE HOLDER FOR TABS 2,8 x 0,8	12	PA66 GF30	■ Black			4510975	350
4	FEMALE HOLDER FOR HP6 TERMINALS	12	PA66 GF30	■ Black			4510875	350

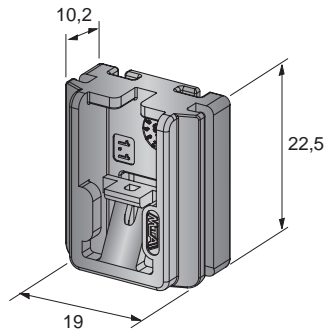
CONNECTIONS AND FIXINGS



HP6 280

IMG 4

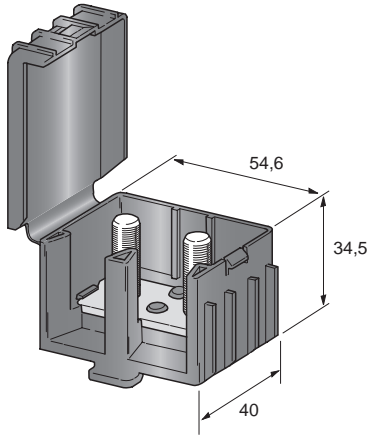
# ADAPTERS



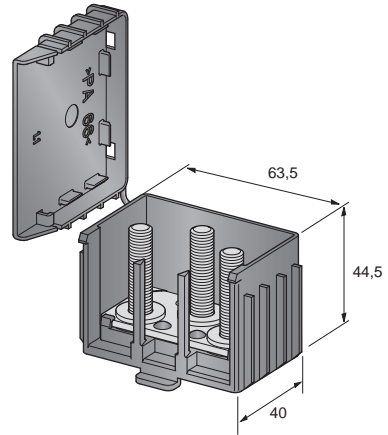
1

IMG	DESCRIPTION	MATERIAL	COLOUR		P/N BULK	M.O.Q.
1	ADAPTER FOR 4510921	PA66 GF30	■ Black		0300489	2500

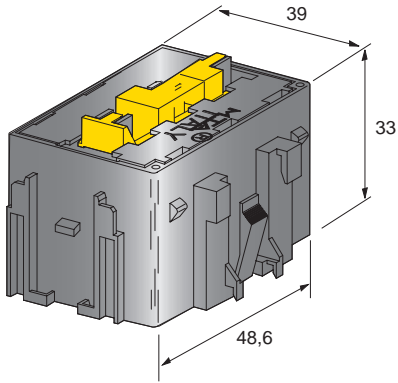
# JOINT



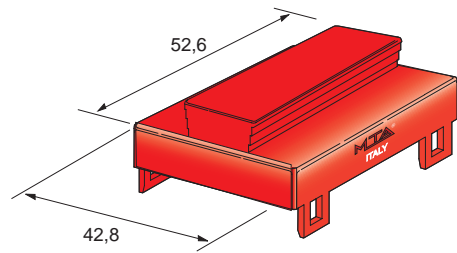
1



2



3



4

IMG	DESCRIPTION	SCREW	WAY	MATERIAL	COLOUR	P/N BOX	M.O.Q.	P/N BULK	M.O.Q.
1	BRANCH KNOT M 88	M 88	2	PA66	Black	4441100	1	4541100	100
2	BRANCH KNOT M 888	M 888	3	PA66	Black	4441200	1	4541200	130
	BRANCH KNOT M 666	M 666	3	PA66	Black			4541202	130
	BRANCH KNOT M 555	M 555	3	PA66	Black			4541201	130
3	HOUSING WITH TERMINALS		6	PA66 GF25	Black			4540601	400
4	COVER FOR HOUSING 6 WAY			PA66	Red			4540602	200
	KIT HOUSING 6 WAY+ COVER					4440600	1		

BULK PACKING SUPPLIED WITHOUT NUTS

CONNECTIONS AND FIXINGS



0300392



0300430



0300440

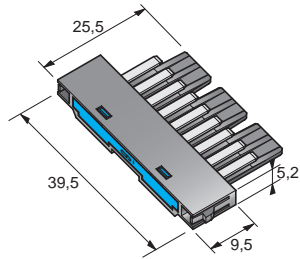


4540105

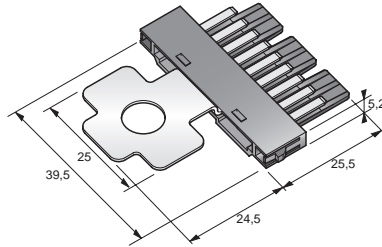
IMG	3	3	3	3
-----	---	---	---	---



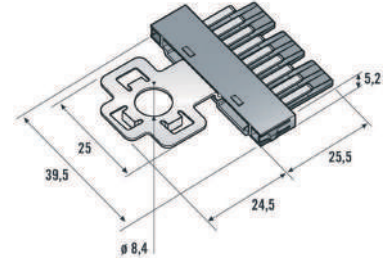
# JOINT 9-WAY



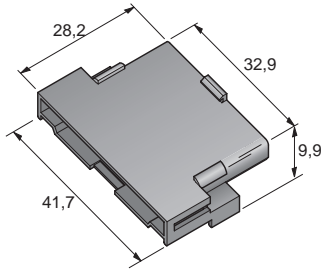
1



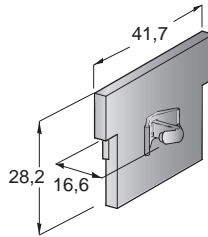
2



3



4



5

IMG	DESCRIPTION	WAY	MATERIAL	COLOUR	COVER COLOUR	P/N BOX	M.O.Q.	P/N BULK	M.O.Q.
1	MALE HOLDER	9	PA66 GF13	Black	Blue	4410610	10	4551610	2500
	MALE HOLDER	6+3	PA66 GF13	Black	Yellow			4551611	2500
	MALE HOLDER	5+4	PA66 GF13	Black	Red			4551612	2500
	MALE HOLDER	3+3+3	PA66 GF13	Black	Green			4551613	2500
2	EARTH MALE HOLDER	9	PA66 GF13	Black				4551614	2000
3	EARTH MALE HOLDER TCK 12S	9	PA66 GF13	Black				4551615	2000
4	FEMALE HOLDER	9	PBT	Black		4410605	10	4551605	2500
	FEMALE HOLDER	9	PBT	Blue				4551606	2500
	FEMALE HOLDER	9	PBT	Green				4551607	2500
5	FIXING PLATE		PA66	Black				0300397	1000

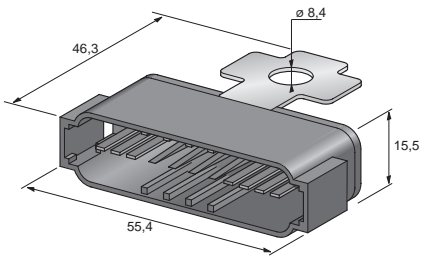
CONNECTIONS AND FIXINGS



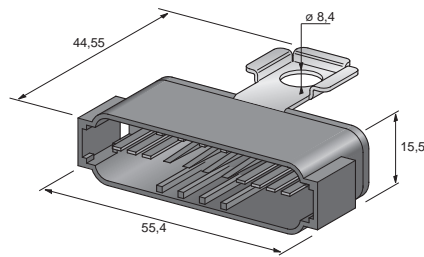
070 SERIES

IMG 4

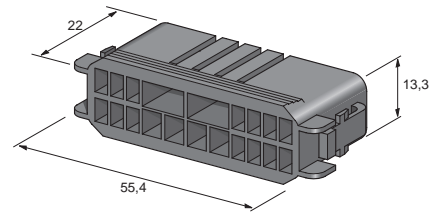
# JOINT 18-WAY



1



2



3

IMG	DESCRIPTION	WAY	MATERIAL	COLOUR	P/N BOX	M.O.Q.	P/N BULK	M.O.Q.
1	EARTH MALE HOLDER	18	PA66 GF30	■ Black	4410125	1	4510125	1000
2	EARTH MALE HOLDER TCK 12S	18	PA66 GF30	■ Black			4510135	1000
3	FEMALE HOLDER	18	PA66 GF30	■ Black	4410120	1	4510120	1500

CONNECTIONS AND FIXINGS



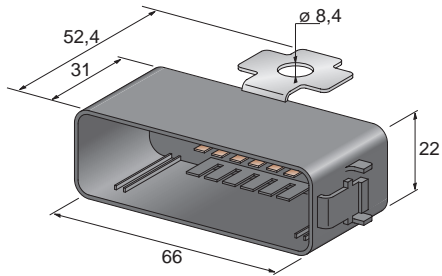
JPT



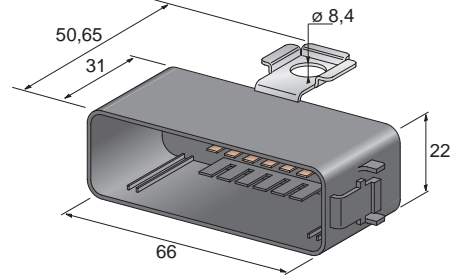
070 NG SERIES

IMG	3	3
-----	---	---

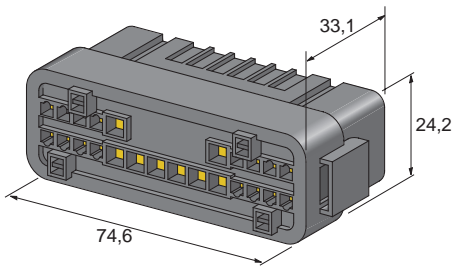
# JOINT 24-WAY



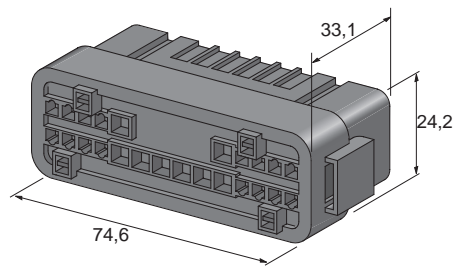
1



2



3



4

IMG	DESCRIPTION	WAY	MATERIAL	COLOUR		P/N BULK	M.O.Q.
1	EARTH MALE HOLDER W.P.	24	PA66 GF30	■ Black		4510115	600
2	EARTH MALE HOLDER TCK 12S	24	PA66 GF30	■ Black		4510130	600
3	FEMALE HOLDER W.P.	24	PA66 GF30	■ Black		4510110	600
4	FEMALE HOLDER	24	PA66 GF30	■ Black		4510145	600

CONNECTIONS AND FIXINGS



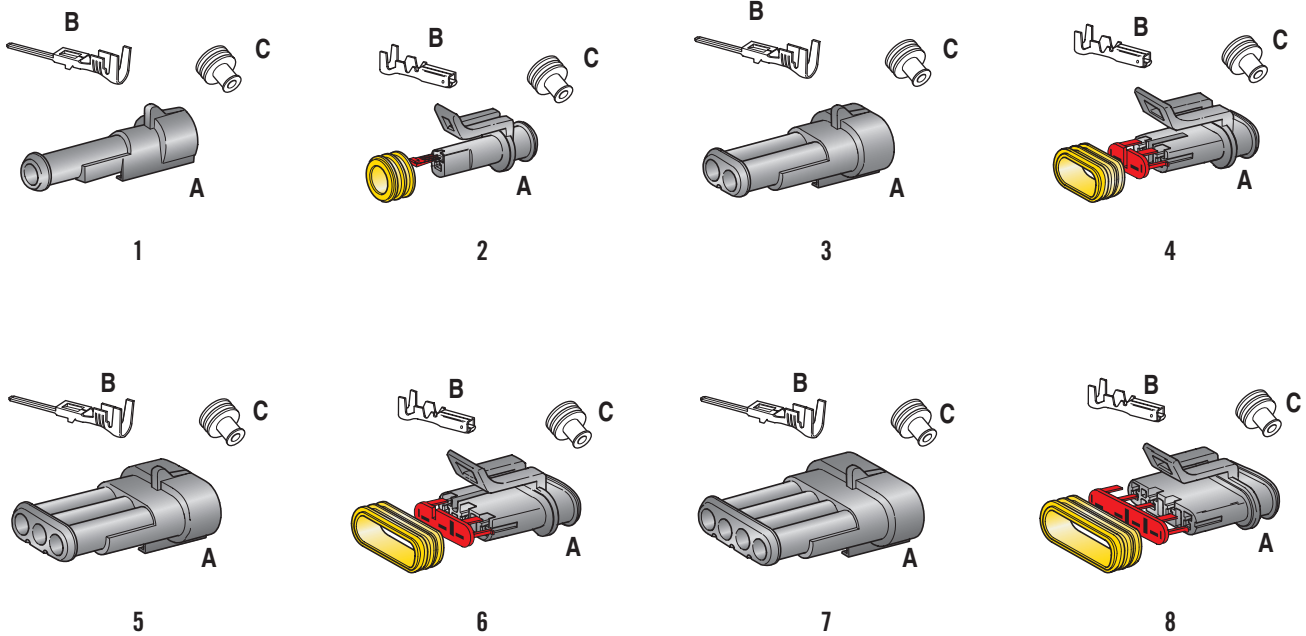
SIGMA



CARALARM

IMG	3+4	3+4
-----	-----	-----

# SUPERSEAL 1,5



IMG	DESCRIPTION	WAY	MATERIAL	COLOUR	P/N BOX	M.O.Q.
1	S-SEAL 1,5 MALE HOLDER	1	PA 66	■ Black	4423610	10
	KIT A+B+C	1	PA 66		3050123	1
2	S-SEAL 1,5 FEMALE HOLDER	1	PA 66	■ Black	4423620	10
	KIT A+B+C	1	PA 66		3050124	1
3	S-SEAL 1,5 MALE HOLDER	2	PA 66	■ Black	4423630	10
	KIT A+B+C	2	PA 66		3050125	1
4	S-SEAL 1,5 FEMALE HOLDER	2	PA 66	■ Black	4423640	10
	KIT A+B+C	2	PA 66		3050126	1
5	S-SEAL 1,5 MALE HOLDER	3	PA 66	■ Black	4423650	10
	KIT A+B+C	3	PA 66		3050127	1
6	S-SEAL 1,5 FEMALE HOLDER	3	PA 66	■ Black	4423660	10
	KIT A+B+C	3	PA 66		3050128	1
7	S-SEAL 1,5 MALE HOLDER	4	PA 66	■ Black	4423670	10
	KIT A+B+C	4	PA 66		3050129	1
8	S-SEAL 1,5 FEMALE HOLDER	4	PA 66	■ Black	4423680	10
	KIT A+B+C	4	PA 66		3050130	1

## CONNECTIONS AND FIXINGS

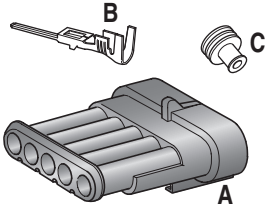


S-SEAL M150

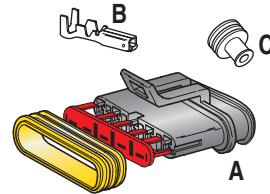
S-SEAL F150

IMG 1+3+5+7 2+4+6+8

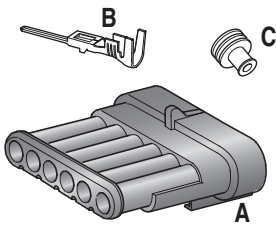
# SUPERSEAL 1,5



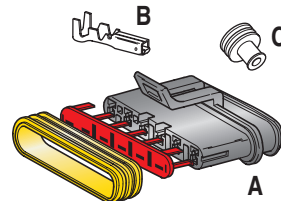
1



2



3



4

IMG	DESCRIPTION	WAY	MATERIAL	COLOUR	P/N BOX	M.O.Q.
1	S-SEAL 1,5 MALE HOLDER	5	PA 66	■ Black	4423690	10
	KIT A+B+C	5	PA 66		3050131	1
2	S-SEAL 1,5 FEMALE HOLDER	5	PA 66	■ Black	4423700	10
	KIT A+B+C	5	PA 66		3050132	1
3	S-SEAL 1,5 MALE HOLDER	6	PA 66	■ Black	4423710	10
	KIT A+B+C	6	PA 66		3050133	1
4	S-SEAL 1,5 FEMALE HOLDER	6	PA 66	■ Black	4423720	10
	KIT A+B+C	6	PA 66		3050134	1

CONNECTIONS AND FIXINGS

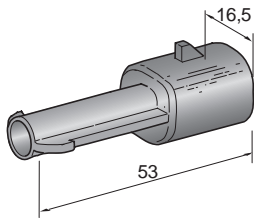


S-SEAL M150

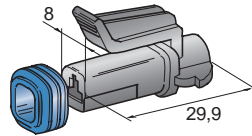
S-SEAL F150

IMG 1+3 2+4

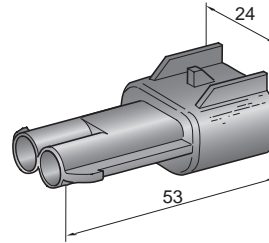
# SEAL 2,8 & 6,3



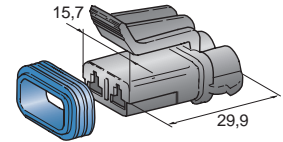
1



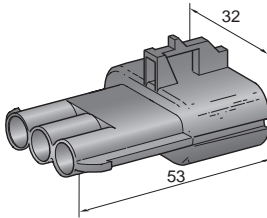
2



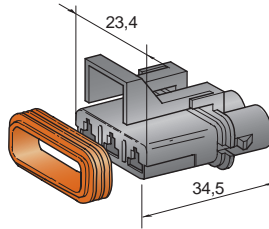
3



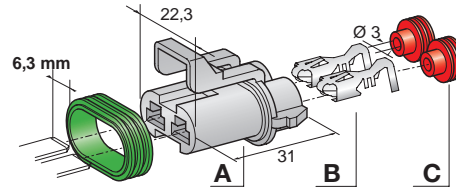
4



5



6



7

IMG	DESCRIPTION	WAY	MATERIAL	COLOUR	P/N BOX	M.O.Q.
1	SEAL 2,8 MALE HOLDER	1	PA 66	■ Black	4423520	5
2	SEAL 2,8 FEMALE HOLDER	1	PA 66	■ Black	4423510	5
3	SEAL 2,8 MALE HOLDER	2	PA 66	■ Black	4423540	5
4	SEAL 2,8 FEMALE HOLDER	2	PA 66	■ Black	4423530	5
5	SEAL 2,8 MALE HOLDER	3	PA 66	■ Black	4423560	5
6	SEAL 2,8 FEMALE HOLDER	3	PA 66	■ Black	4423550	5
7	KIT SEAL 6,3 FEMALE HOLDER WITH TERMINALS AND GASKET	2	PA 66	■ Black	4433800	1

CONNECTIONS AND FIXINGS



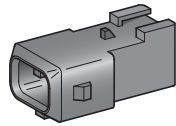
METRIPACK M280



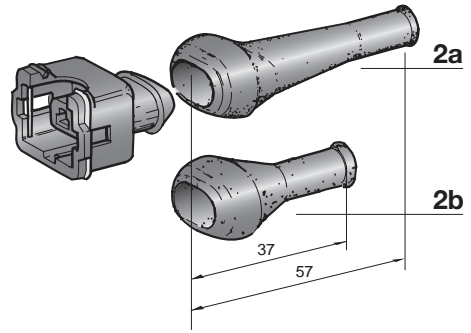
METRIPACK F280

IMG	1+3+5	2+4+6
-----	-------	-------

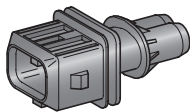
# J.T.& J.P.T.



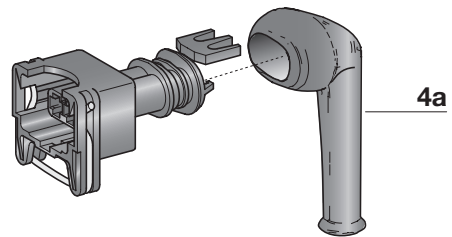
1



2



3



4

IMG	DESCRIPTION	WAY	MATERIAL	COLOUR	P/N BOX	M.O.Q.	P/N BULK	M.O.Q.
1	CONNECTOR JT	2	PA	■ Black	4410660	10		
2	CONNECTOR JT	2	PA	■ Black	4420900	10	4520900	500
2a	COVER		RUBBER	■ Black	4420901	10	4520901	500
2b	COVER		RUBBER	■ Black	4420902	10	4520902	500
3	CONNECTOR JPT	2	PA	■ Black	4410661	10		
4	CONNECTOR JPT	2	PA	■ Black	4420910	10	4520910	500
4a	COVER		RUBBER	■ Black	4420911	10	4520911	500

CONNECTIONS AND FIXINGS



JT M280



JT F280



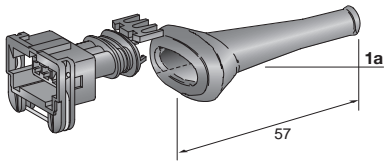
JPT WP M280



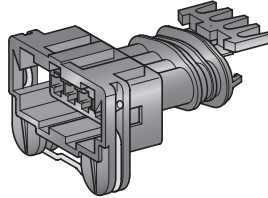
JPT WP F280

IMG	1	2	3	4
-----	---	---	---	---

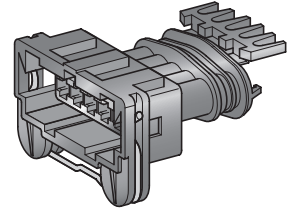
# J.T.& J.P.T.



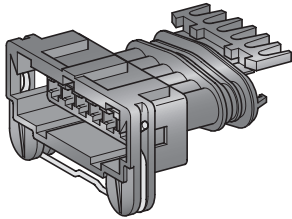
1



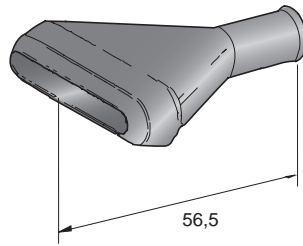
2



3



4



5

IMG	DESCRIPTION	WAY	MATERIAL	COLOUR	P/N BOX	M.O.Q.	P/N BULK	M.O.Q.
1	CONNECTOR JPT	3	PA	■ Black	4420920	10		
1a	COVER		RUBBER	■ Black	4420921	10	4520921	500
2	CONNECTOR JPT	4	PA	■ Black	4410655	10		
3	CONNECTOR JPT	5	PA	■ Black	4410656	10		
4	CONNECTOR JPT	6	PA	■ Black	4410657	10		
5	COVER	7	RUBBER	■ Black	4420931	5	4520931	500

**CONNECTIONS AND FIXINGS**

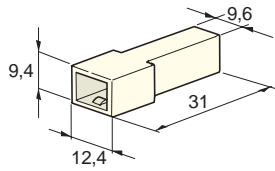


JPT WP F280

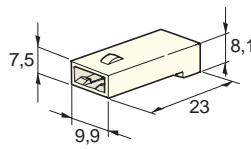
IMG 1+2-3+4



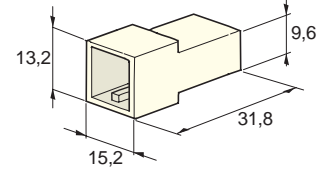
# MULTIPLE 6,3



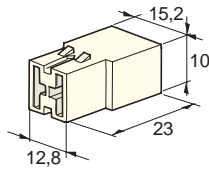
1



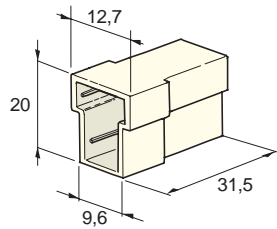
2



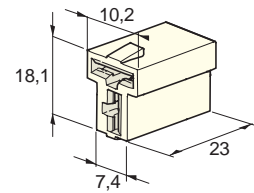
3



4



5



6

IMG	DESCRIPTION	WAY	MATERIAL	COLOUR	P/N BOX	M.O.Q.	P/N BULK	M.O.Q.
1	MALE HOLDER	1	PA	□ Neutral	4410150	100	4510150	2500
2	FEMALE HOLDER	1	PA	□ Neutral	4410160	100	4510160	2500
3	MALE HOLDER	2	PA	□ Neutral	4410170	50	4510170	2500
4	FEMALE HOLDER	2	PA	□ Neutral	4410180	50	4510180	2500
5	MALE HOLDER	2	PA	□ Neutral	4410190	50	4510190	2500
6	FEMALE HOLDER	2	PA	□ Neutral	4410200	50	4510200	2500

CONNECTIONS AND FIXINGS



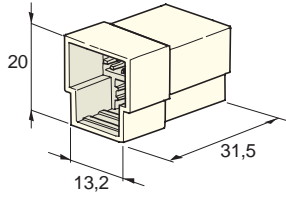
FASTON M630  
W/LOCK.NOTCH



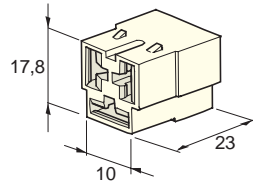
FASTON F630  
W/LOCK.NOTCH

IMG	1+3+5	2+4+6
-----	-------	-------

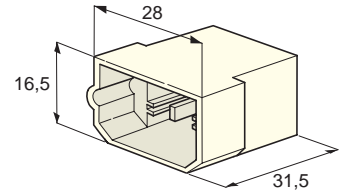
# MULTIPLE 6,3



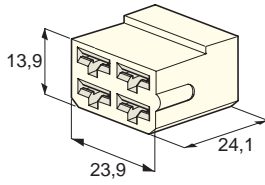
1



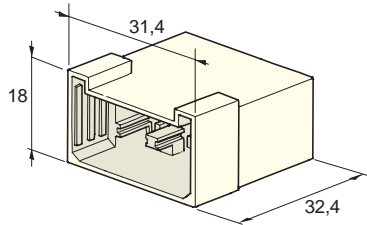
2



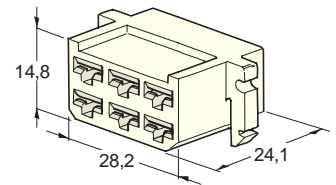
3



4



5



6

IMG	DESCRIPTION	WAY	MATERIAL	COLOUR	P/N BOX	M.O.Q.	P/N BULK	M.O.Q.
1	MALE HOLDER	3	PA	☐ Neutral	4410210	50	4510210	2500
2	FEMALE HOLDER	3	PA	☐ Neutral	4410220	50	4510220	2500
3	MALE HOLDER	4	PA	☐ Neutral	4410230	25	4510230	2500
4	FEMALE HOLDER	4	PA	☐ Neutral	4410240	25	4510240	2500
5	MALE HOLDER	6	PA	☐ Neutral	4410250	25	4510250	1000
6	FEMALE HOLDER	6	PA	☐ Neutral	4410260	25	4510260	1000

CONNECTIONS AND FIXINGS



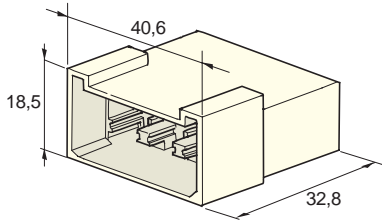
FASTON M630  
W/LOCK.NOTCH



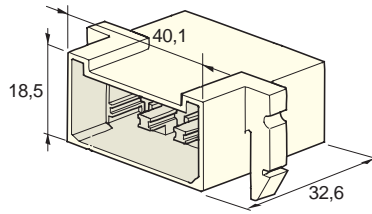
FASTON F630  
W/LOCK.NOTCH

IMG	1+3+5	2+4+6
-----	-------	-------

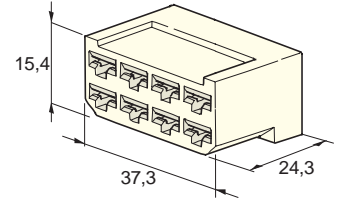
# MULTIPLE 6,3



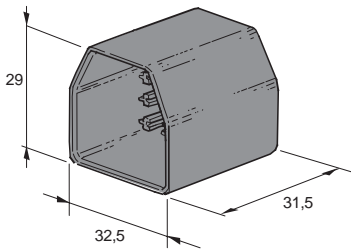
1



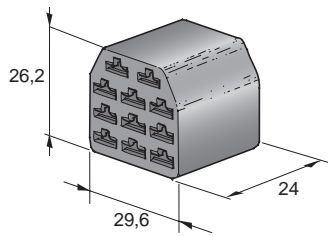
2



3



4



5

IMG	DESCRIPTION	WAY	MATERIAL	COLOUR	P/N BOX	M.O.Q.	P/N BULK	M.O.Q.
1	MALE HOLDER	8	PA	□ Neutral	4410270	20	4510270	1000
2	MALE HOLDER	8	PA	□ Neutral	4410290	10	4510290	1000
3	FEMALE HOLDER	8	PA	□ Neutral	4410280	20	4510280	1000
4	MALE HOLDER	11	PA	■ Black	4410295	20	4510295	150
5	FEMALE HOLDER	11	PA	■ Black	4410296	20	4510296	250

CONNECTIONS AND FIXINGS



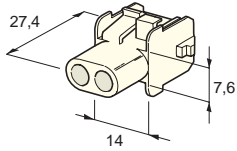
FASTON M630  
W/LOCK.NOTCH



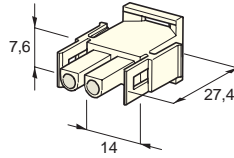
FASTON F630  
W/LOCK.NOTCH

IMG	1+2+4	3+5
-----	-------	-----

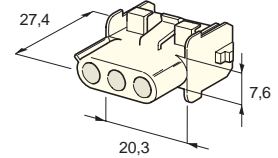
# MATE-N-LOCK



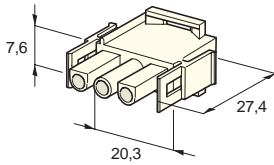
1



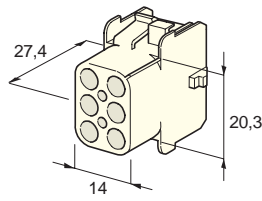
2



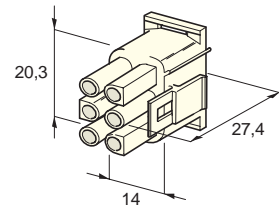
3



4



5



6

IMG	DESCRIPTION	WAY	MATERIAL	COLOUR		P/N BOX	M.O.Q.
1	MALE/FEMALE HOLDER	2	PA	<input type="checkbox"/> Neutral		4426040	10
2	MALE/FEMALE HOLDER	2	PA	<input type="checkbox"/> Neutral		4426030	10
3	MALE/FEMALE HOLDER	3	PA	<input type="checkbox"/> Neutral		4426060	10
4	MALE/FEMALE HOLDER	3	PA	<input type="checkbox"/> Neutral		4426050	10
5	MALE/FEMALE HOLDER	6	PA	<input type="checkbox"/> Neutral		4426120	10
6	MALE/FEMALE HOLDER	6	PA	<input type="checkbox"/> Neutral		4426110	10

CONNECTIONS AND FIXINGS



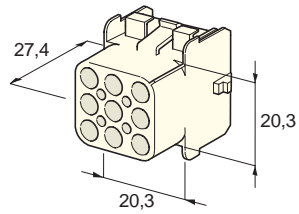
MATE-N-LOCK F2



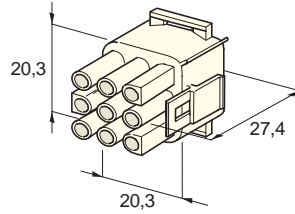
MATE-N-LOCK M2

IMG 1+2+3+4+5+6 1+2+3+4+5+6

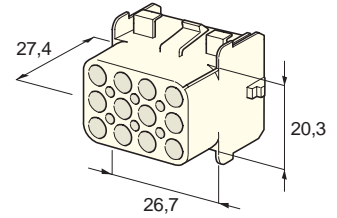
# MATE-N-LOCK



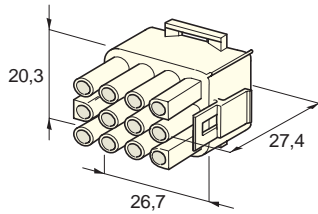
1



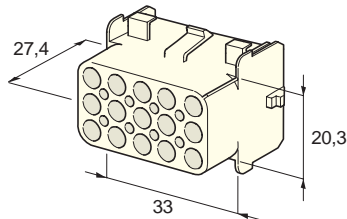
2



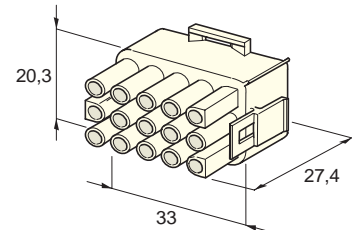
3



4



5



6

IMG	DESCRIPTION	WAY	MATERIAL	COLOUR		P/N BOX	M.O.Q.
1	MALE/FEMALE HOLDER	9	PA	<input type="checkbox"/> Neutral		4426140	10
2	MALE/FEMALE HOLDER	9	PA	<input type="checkbox"/> Neutral		4426130	10
3	MALE/FEMALE HOLDER	12	PA	<input type="checkbox"/> Neutral		4426160	10
4	MALE/FEMALE HOLDER	12	PA	<input type="checkbox"/> Neutral		4426150	10
5	MALE/FEMALE HOLDER	15	PA	<input type="checkbox"/> Neutral		4426180	10
6	MALE/FEMALE HOLDER	15	PA	<input type="checkbox"/> Neutral		4426170	10

## CONNECTIONS AND FIXINGS



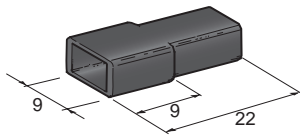
MATE-N-LOCK F2



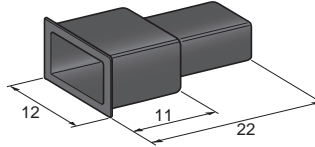
MATE-N-LOCK M2

IMG 1+2+3+4+5+6 1+2+3+4+5+6

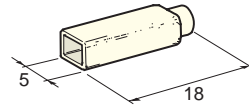
# TERMINAL COVERS



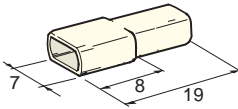
1



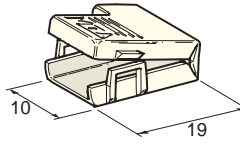
2



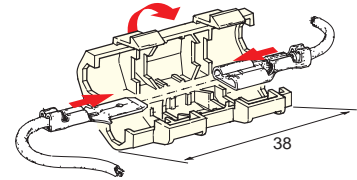
3



4



5



6

IMG	DESCRIPTION	MATERIAL	COLOUR	P/N BOX	M.O.Q.	P/N BULK	M.O.Q.
1	FEMALE 6,3 COVER	PE	■ Black	4410070	200	4510070	20000
	FEMALE 6,3 COVER	PE	■ Yellow	4410072	200		
	FEMALE 6,3 COVER	PE	■ Blue	4410073	200	4510073	20000
	FEMALE 6,3 COVER	PE	■ Red	4410074	200	4510074	20000
	FEMALE 6,3 COVER	PE	□ Neutral	4410076	200	4510076	20000
2	MALE 6,3 COVER	PE	■ Black	4410080	200	4510080	20000
	MALE 6,3 COVER	PE	■ Yellow	4410082	200		
	MALE 6,3 COVER	PE	■ Red	4410084	200		
	MALE 6,3 COVER	PE	□ Neutral	4410086	200	4510086	20000
3	FEMALE 2,8 COVER	PE	□ Neutral	4410065	200		
4	FEMALE 4,8 COVER	PE	□ Neutral	4410068	200		
5	FLAG 6,3 COVER	PA	□ Neutral	4410060	200		
6	FASTON 6,3 COVER	PA	□ Neutral	4410083	50		

## CONNECTIONS AND FIXINGS



FASTON F630



FASTON M630



FASTON F280



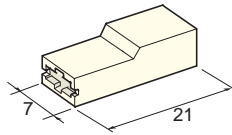
FASTON F480



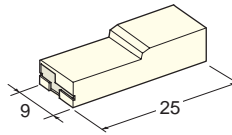
FASTON F630 FLAG

IMG	1+6	2+6	3	4	5
-----	-----	-----	---	---	---

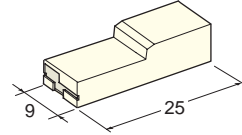
# TERMINAL COVERS



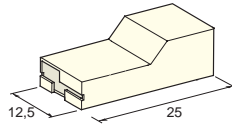
1



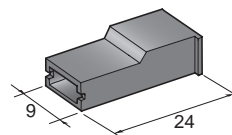
2



3



4



5

IMG	DESCRIPTION	MATERIAL	COLOUR	P/N BOX	M.O.Q.	P/N BULK	M.O.Q.
1	FEMALE 4,8 COVER	PA	☐ Neutral	4410062	200		
2	FEMALE 6,3 COVER	PA	☐ Neutral	4410077	200	4510077	20000
3	FEMALE 6,3 COVER	PA	☐ Neutral	4410078	200		
4	FEMALE 9,5 COVER	PA	☐ Neutral	4410079	50		
5	FEMALE 6,3 COVER	PA	■ Black	4420800	50		

## CONNECTIONS AND FIXINGS



FASTON F480



FASTON F630



FASTON F950



FASTON F630

IMG

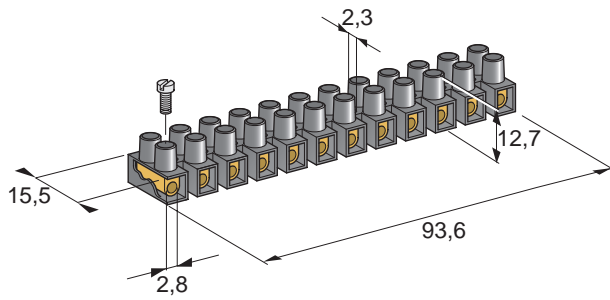
1

2+3

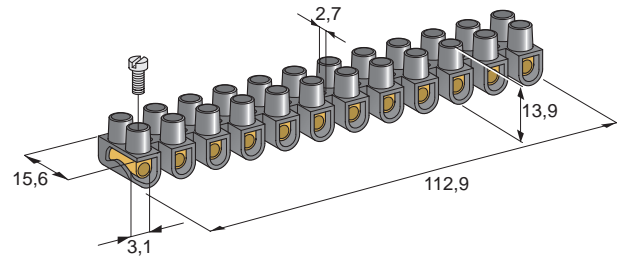
4

5

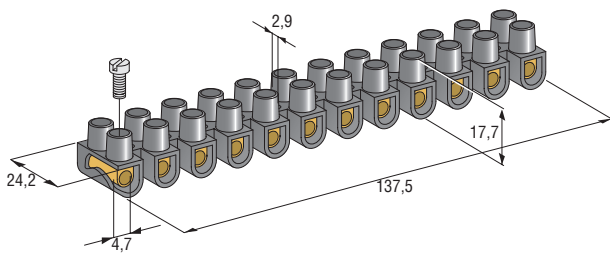
## CONNECTOR STRIPS



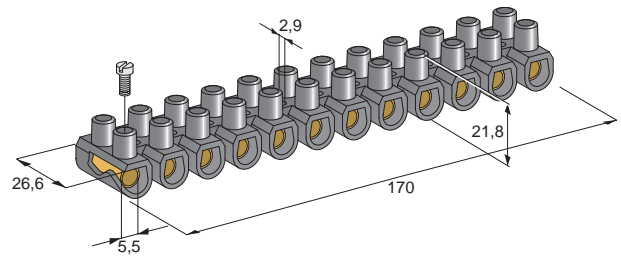
1



2



3

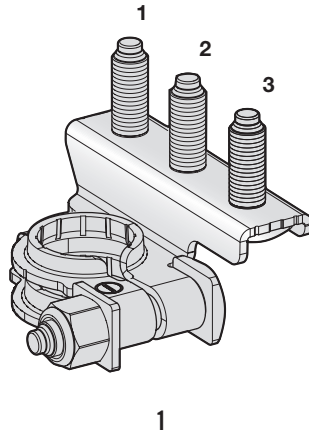


4

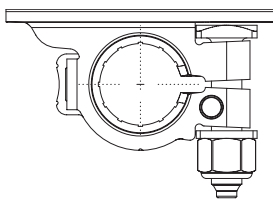
IMG	DESCRIPTION	WAY	MATERIAL	VOLT	In	OPERATION TEMP	CABLE SECTION mm <sup>2</sup>	P/N BOX	M.O.Q.
1	CONNECTOR STRIP	12	PP Black	380	24A	85°C	2,5	4430100	10
2	CONNECTOR STRIP	12	PP Black	380	24A	85°C	6	4430110	10
3	CONNECTOR STRIP	12	PP Black	450	24A	85°C	10	4430120	10
4	CONNECTOR STRIP	12	PP Black	450	24A	85°C	16	4430130	10



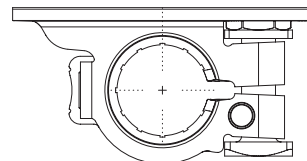
# DOUBLE RING



IMG	DESCRIPTION	POLARITY	SCREW 1	SCREW 2	SCREW 3	MATERIAL	MATERIAL THICKNESS mm	P/N BOX	M.O.Q.	P/N BULK	M.O.Q.
1	M686DX	+	M6	M8	M6	CuZn-Sn	1,5	1507701	10	1507700	250
	M686DX	-	M6	M8	M6	CuZn-Sn	1,5	1507704	10	1507705	250
	M686SX	+	M6	M8	M6	CuZn-Sn	1,5			1507720	250
	M666DX	+	M6	M6	M6	CuZn-Sn	1,5			1507703	220
	M666DX	-	M6	M6	M6	CuZn-Sn	1,5			1507707	220
	M666SX	+	M6	M6	M6	CuZn-Sn	1,5			1507708	220
	M666SX	-	M6	M6	M6	CuZn-Sn	1,5			1507736	250
	M668DX	+	M6	M6	M8	CuZn-Sn	1,5			1507710	180
	M080SX	+	/	M8	/	CuZn-Sn	1,5			1507760	250
	M606DX	+	M6	/	M6	CuZn-Sn	1,5			1507772	250
	M606SX	+	M6	/	M6	CuZn-Sn	1,5			1507771	250
	M680DX	-	M6	M8	/	CuZn-Sn	1,5			1507785	250
	M868DX	+	M8	M6	M8	CuZn-Sn	1,5			1507790	250
	M806DX	+	M8	/	M6	CuZn-Sn	1,5			1507795	250

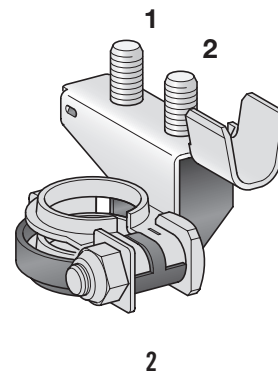
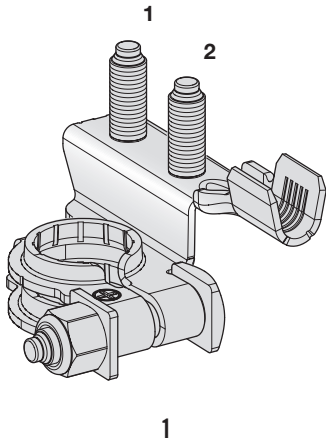


DX

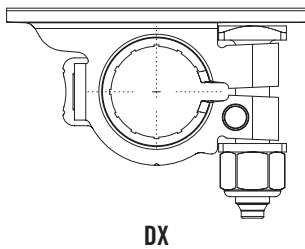


SX

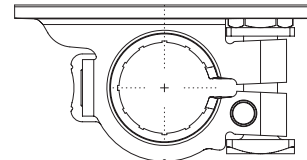
# DOUBLE RING



IMG	DES.	POLARITY	SCREW 1	SCREW 2	WIRE SECTION mm <sup>2</sup>	MATERIAL	MATERIAL THICKNESS mm	P/N BOX	M.O.Q.	P/N BULK	M.O.Q.
1	M66DX	+	M6	M6	10÷20	CuZn-Sn	1,3	1507821	10	1507800	250
	M06SX	+	/	M6	10÷20	CuZn-Sn	1,3			1507810	250
	M66DX	+	M6	M6	25÷40	CuZn-Sn	1,3			1507820	250
	M66DX	-	M6	M6	25÷40	CuZn-Sn	1,3			1507875	250
	M06SX	+	/	M6	25÷40	CuZn-Sn	1,3			1507830	250
	M66SX	-	M6	M6	25÷40	CuZn-Sn	1,3			1507885	250
2	M66DX	-	M6	M6	10÷20	CuZn-Sn	1,3			1556680	300

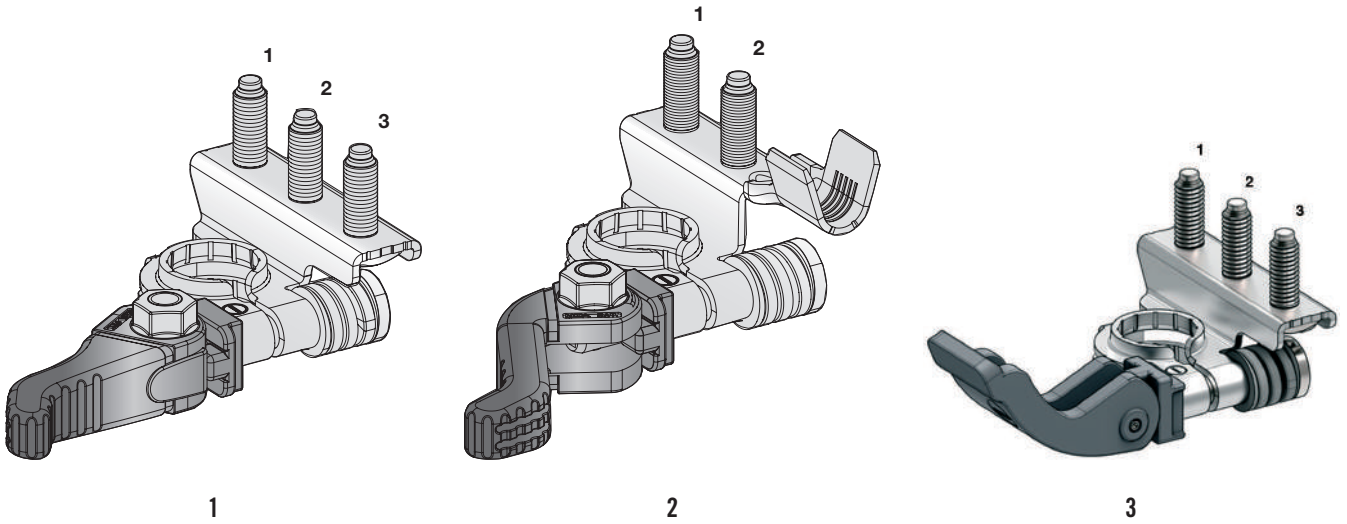


DX

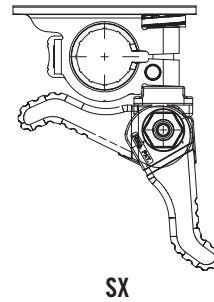
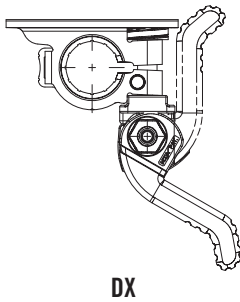


SX

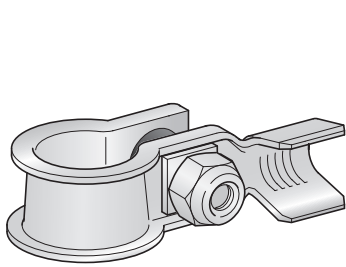
# QUICK LOCK



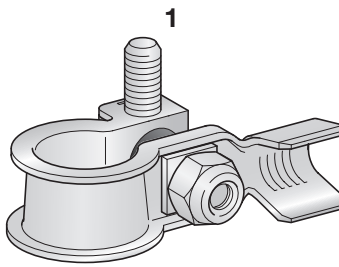
IMG.	DES.	POLARITY	SCREW 1	SCREW 2	SCREW 3	WIRE SECTION mm <sup>2</sup>	MATERIAL	MATERIAL THICKNESS mm	P/N BOX	M.O.Q.	P/N BULK	M.O.Q.		
1	M666SX	-	M6	M6	M6		CuZn-Sn	1,5	1507904	1	1507905	200		
	M666SX	+	M6	M6	M6		CuZn-Sn	1,5			1507975	200		
	M666DX	-	M6	M6	M6		CuZn-Sn	1,5			1507916	1	1507915	200
2	M66DX	-	M6	M6		10÷20	CuZn-Sn	1,3	1507926	1	1507925	200		
	M66DX	-	M6	M6		25÷40	CuZn-Sn	1,3			1507956	1	1507955	200
	M66DX	-	M6	M6		10÷20	CuZn-Sn	1,3					1507946	100
	M66DX	-	M6	M6		AWG1	CuZn-Sn	1,3					1507957	200
	M66DX	-	M6	M6		AWG1	CuZn-Sn	1,3					1507957	200
3	VQR	-	M6	M6	M6		CuZn33-Sn	1,5			1507601	TBD		



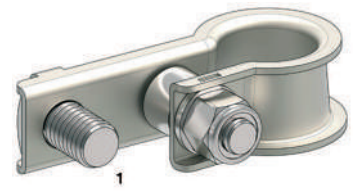
# STRIP TYPE



1

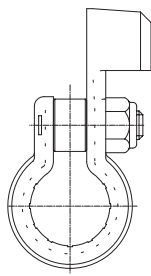


2

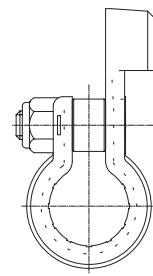


3

IMG	DESCRIPTION	POLARITY	SCREW(1)	WIRE SECTION mm <sup>2</sup>	MATERIAL	MATERIAL THICKNESS mm	P/N BOX	M.O.Q.	P/N BULK	M.O.Q.
1	STRIP DX	-		10÷20	CuZn-Sn	1,2	1506656	10	1506655	400
	STRIP DX	-		25÷40	CuZn-Sn	1,2	1506666	10	1506665	400
	STRIP SX	-		10÷20	CuZn-Sn	1,2			1506658	400
	STRIP SX	-		25÷40	CuZn-Sn	1,2			1506668	400
	STRIP DX	+		10÷20	CuZn-Sn	1,2	1506721	10	1506720	400
	STRIP DX	+		25÷40	CuZn-Sn	1,2	1506731	10	1506730	400
2	STRIP DX	-	M6	10÷20	CuZn-Sn	1,2			1506650	400
	STRIP DX	-	M6	25÷40	CuZn-Sn	1,2			1506660	400
3	STRIP DX	-	M8		CuZn-Sn	1,2			1506675	400
	STRIP SX	-	M8		CuZn-Sn	1,2			1506678	400

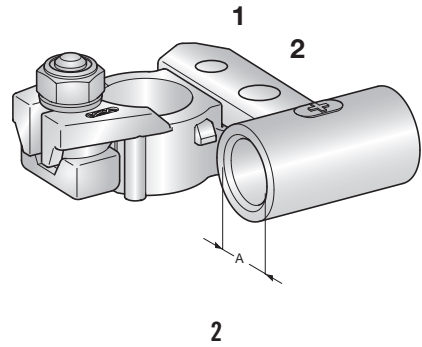
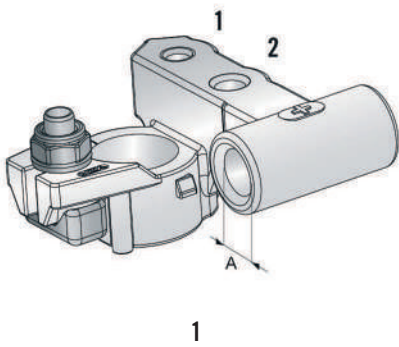


DX



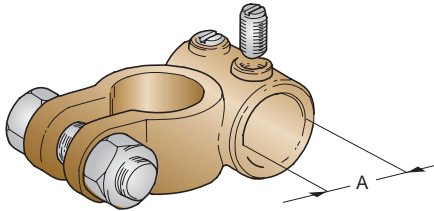
SX

# DIE CAST

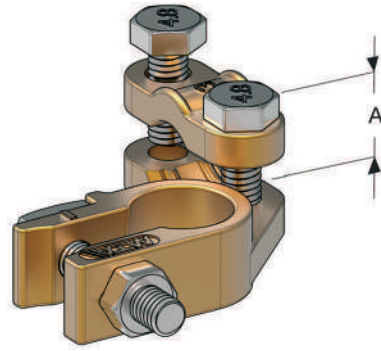


IMG	DESCRIPTION	POLARITY	SCREW 1	SCREW 2	MATERIAL	A mm <sup>2</sup>	P/N BOX	M.O.Q.	P/N BULK	M.O.Q.
1	DIE CAST	+	M6	M8	BRASS Sn	50			1506765	70
2	DIE CAST	+	M6	M8	BRASS Sn	70	1506741	1	1506740	150
	DIE CAST	-	M6	M8	BRASS Sn	50	1506761	1	1506760	150

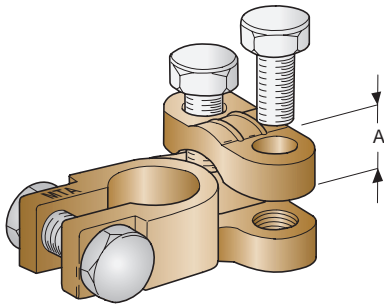
# DIE CAST



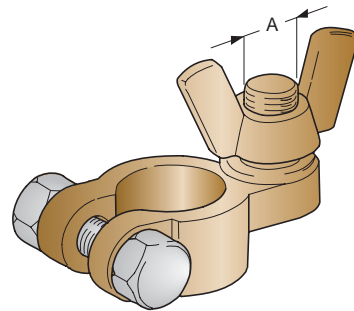
1



2



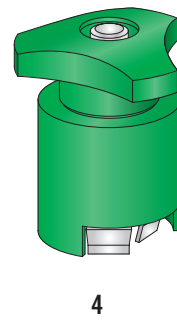
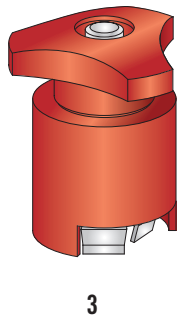
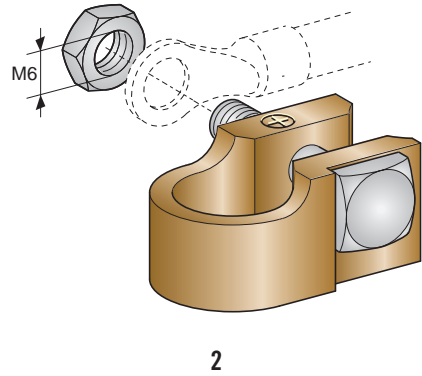
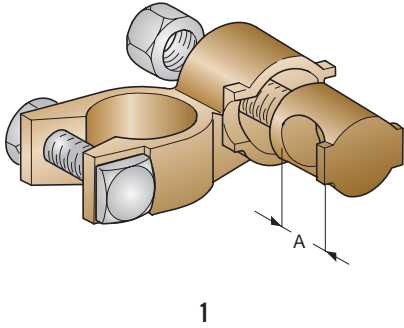
3



4

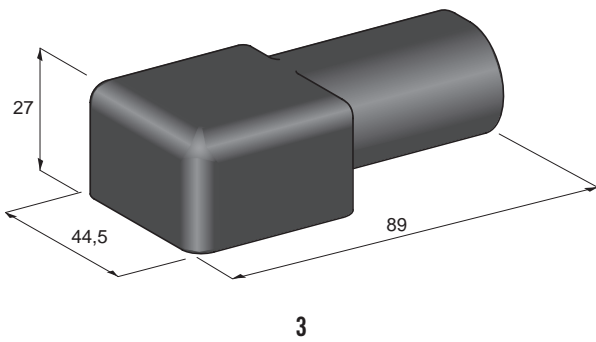
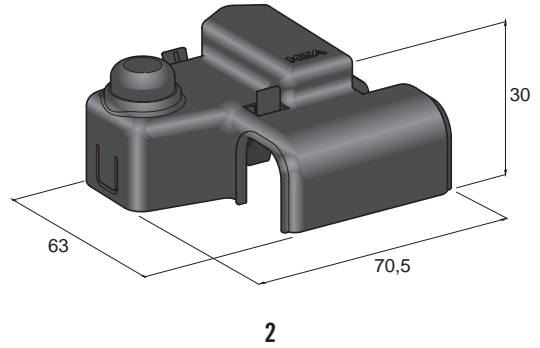
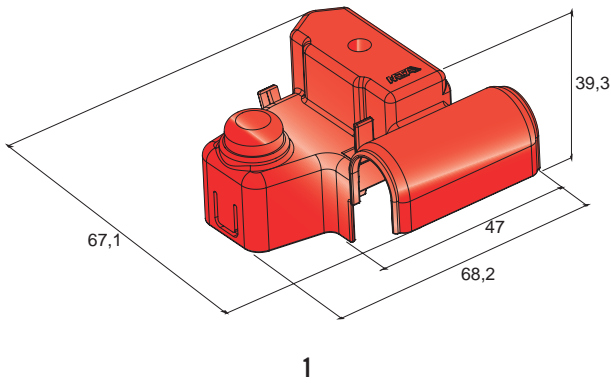
IMG	DESCRIPTION	POLARITY	MATERIAL	A mm <sup>2</sup>	P/N BOX	M.O.Q.
1	DIE CAST	+	BRASS	50	1506060	25
	DIE CAST	-	BRASS	50	1506070	25
	DIE CAST	+	BRASS	70	1506080	25
	DIE CAST	-	BRASS	70	1506090	25
2	DIE CAST	+	BRASS	25÷50	1506100	25
	DIE CAST	-	BRASS	25÷50	1506110	25
3	DIE CAST	+	BRASS	25÷50	1506270	25
	DIE CAST	-	BRASS	25÷50	1506280	25
4	DIE CAST	+	BRASS	M10	1506120	25
	DIE CAST	-	BRASS	M8	1506130	25

## DIE CAST & FRENCH TYPES

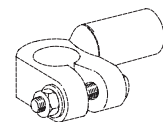
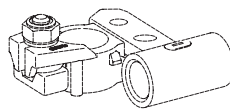
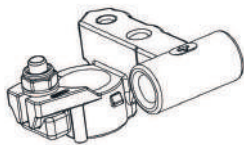


IMG	DESCRIPTION	POLARITY	WIRE SECTION mm <sup>2</sup>	MATERIAL	P/N BOX	M.O.Q.
1	BATTERY TERMINAL	+	25	BRASS	1506250	25
	BATTERY TERMINAL	-	25	BRASS	1506260	25
2	BATTERY TERMINAL	+/-	-	BRASS	1506820	1+1
3	BATTERY TERMINAL	+	-	PE - NYLON	1506200	25
4	BATTERY TERMINAL	-	-	PE - NYLON	1506210	25

# PROTECTION COVERS

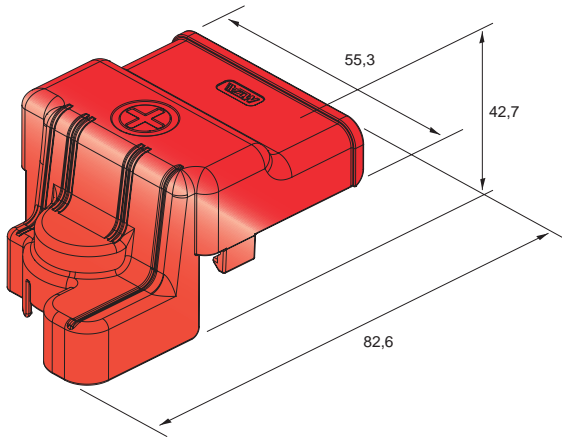


IMG	DESCRIPTION	POLARITY	MATERIAL	COLOUR	P/N BOX	M.O.Q.	P/N BULK	M.O.Q.
1	COVER FOR 1506765	+	PP	Red			4510499	500
2	COVER FOR 150674X	+	PP	Red	4410496	10	4510496	500
	COVER FOR 150676X	-	PP	Black			4510497	500
3	COVER		EPDM	Black	4410495	10		

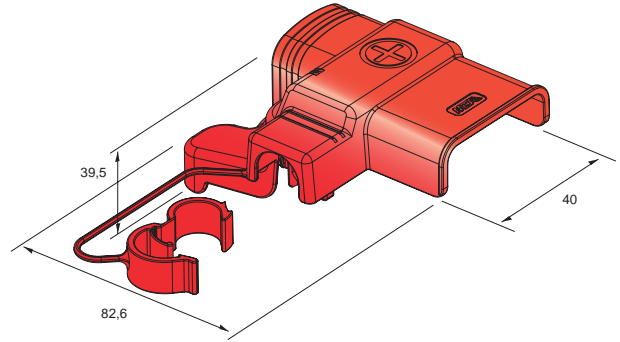




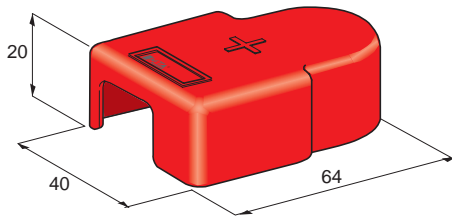
# PROTECTION COVERS



1

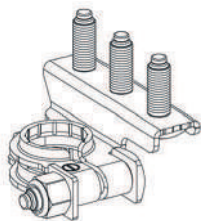


2

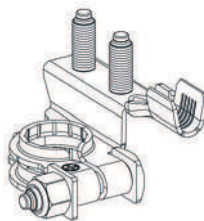


3

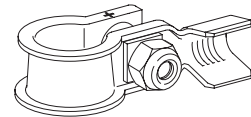
IMG	DESCRIPTION	POLARITY	MATERIAL	COLOUR	P/N BOX	M.O.Q.	P/N BULK	M.O.Q.
1	COVER FOR 15077XX	+	PP	Red			4510503	100
2	COVER FOR 15078XX	+	PP	Red			4510502	100
3	COVER FOR 1506720/21/30/31	+	PP	Red	4410480	10	4510480	500



1

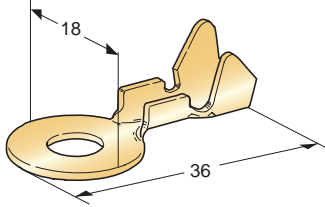


2

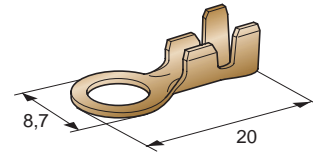


3

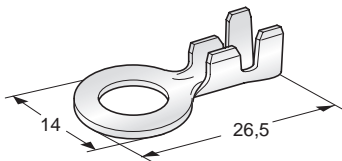
# STANDARD RING



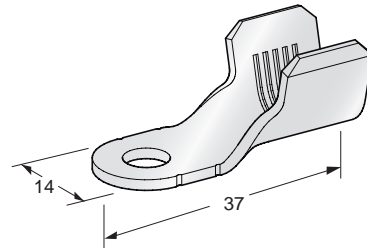
1



2



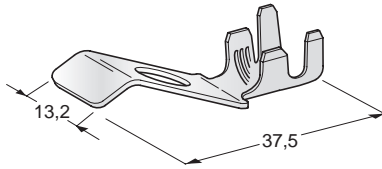
3



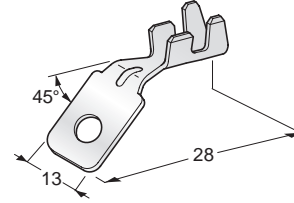
4

IMG	DESCRIPTION	SCREW	WIRE SECTION mm <sup>2</sup>	MATERIAL	MATERIAL THICKNESS mm	P/N BOX	M.O.Q.	P/N BULK	M.O.Q.
1	UNI 679L35	M10	4÷6	CuZn	0,7	1602550	100		
2	STD22	M4	1÷2,5	CuZn	0,6	1602970	100	1902970	5000
	STD22	M5	1÷2,5	CuZn	0,6	1602980	100	1902980	5000
	STD22	M6	1÷2,5	CuZn	0,6	1602981	100	1902981	5000
3	STD26	M6	3÷6	CuZn	0,8	1602990	100		
	STD26	M8	3÷6	CuZn	0,8	1603000	100		
4	STD37	M8	25÷40	CuZn-Sn	1,5			1609000	2000

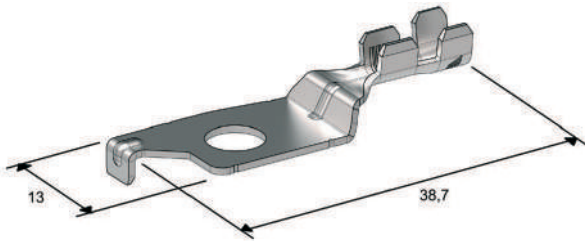
# GROUND



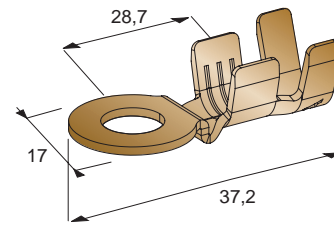
1



2



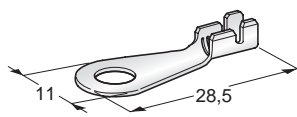
3



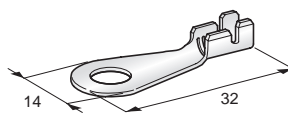
4

IMG	DESCRIPTION	SCREW	WIRE SECTION mm <sup>2</sup>	MATERIAL	MATERIAL THICKNESS mm		P/N REEL	M.O.Q.
1	GND 188 TW25	M8	2,5÷4	CuZn-Sn	0,8		1708150	3600
2	GND 188 G45	M5	2,5÷6	CuZn-Sn	0,8		1708160	3600
3	GC L31	M6	1÷2,5	CuSN6	0,8		1706850	4000
4	GND L37M8	M8	10	CuZn	1,2		1793754	4000

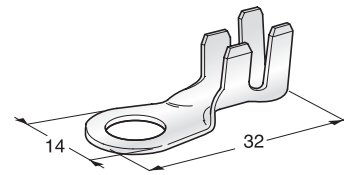
# GROUND



1



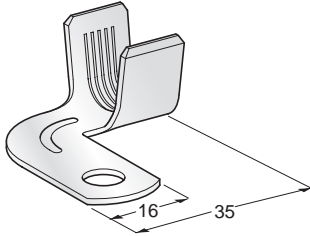
2



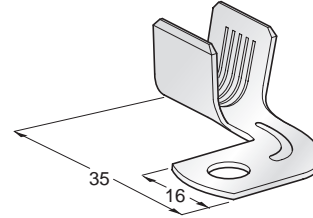
3

IMG	DESCRIPTION	SCREW	WIRE SECTION mm <sup>2</sup>	MATERIAL	MATERIAL THICKNESS mm	P/N BOX	M.O.Q.	P/N REEL	M.O.Q.
1	GND	M5	0,5÷1,5	CuZn-Sn	0,6			1706740	12000
	GND FLY	M5	0,5÷1,5	CuZn-Sn	0,6			1706741	12000
2	GND	M6	1÷2,5	CuZn-Sn	0,8	1106720	100	1706720	6000
	GND	M6	4÷6	CuZn-Sn	0,8	1106700	100	1706700	4500
	GND	M6	8÷10	CuZn-Sn	0,8	1106750	100	1706750	3000
	GND	M8	1÷2,5	CuZn-Sn	0,8	1106730	100	1706730	6000
	GND	M8	4÷6	CuZn-Sn	0,8	1106710	100	1706710	4500
	GND	M8	8÷10	CuZn-Sn	0,8	1106760	100	1706760	3000
3	GND FLY	M6	1÷2,5	CuZn-Sn	0,8			1706721	6000
	GND FLY	M6	3÷6	CuZn-Sn	0,8			1706701	4500
	GND FLY	M8	1÷2,5	CuZn-Sn	0,8			1706731	6000
	GND FLY	M8	3÷6	CuZn-Sn	0,8			1706711	4500

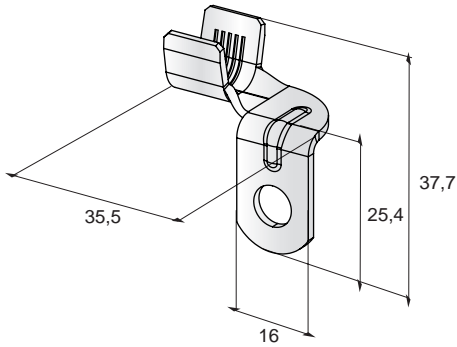
# CBA



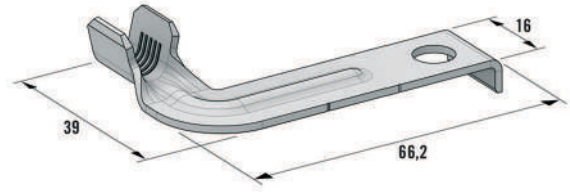
1



2



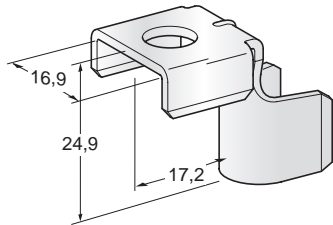
3



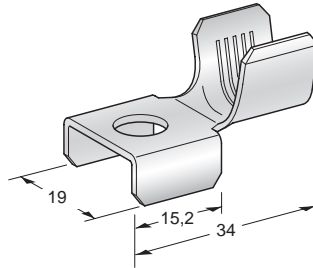
4

IMG	DESCRIPTION	SCREW	WIRE SECTION mm <sup>2</sup>	MATERIAL	MATERIAL THICKNESS mm	P/N BOX	M.O.Q.	P/N REEL	M.O.Q.
1	CBA FL 90	M8	10÷20	CuZn-Sn	1,5	1608170	500	1708170	1000
	CBA FL 90	M6	10÷20	CuZn-Sn	1,5			1708175	1000
	CBA FL 90	M6	25÷42	CuZn-Sn	1,5	1604300	1500		
	CBA FL 90	M8	25÷42	CuZn-Sn	1,5	1608210	1500	1708210	600
	CBA FL 90	M6	25÷42	CuZn-Sn	1,5			1708215	1200
	CBA FL 90	M8	50÷70	CuZn-Sn	1,8			1708230	900
2	CBA SX FL90	M6	20÷40	CuZn-Sn	1,8			1708325	700
	CBA SX FL90	M8	20÷40	CuZn-Sn	1,8	1608321	1000	1708320	700
	CBA SX FL90	M6	50÷70	CuZn-Sn	1,8			1708315	900
	CBA SX FL90	M8	50÷70	CuZn-Sn	1,8			1708310	900
3	CBA SX G90	M8	20÷40	CuZn-Sn	1,8	1608323	1000		
4	CBA J81 L4	M8	10÷20	Cu-Sn	1,8	1609200	500		

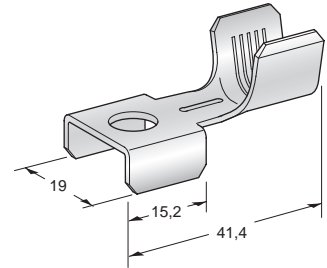
# MEGA



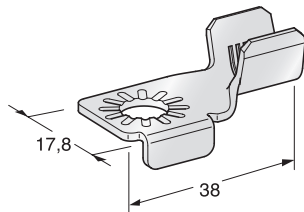
1



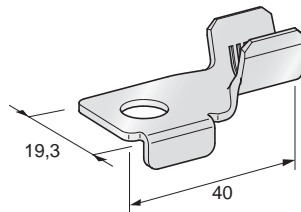
2



3



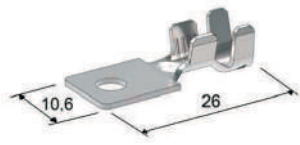
4



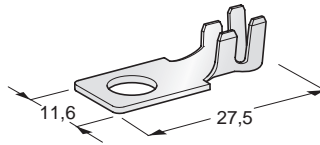
5

IMG	DESCRIPTION	SCREW	WIRE SECTION mm <sup>2</sup>	MATERIAL	MATERIAL THICKNESS mm	P/N BOX	M.O.Q.	P/N REEL	M.O.Q.
1	MEGA G90	M8	10÷20	Cu-Sn	1,5	1608180	650		
	MEGA G90	M8	25÷35	Cu-Sn	1,5	1608190	500		
2	MEGA	M8	10÷20	Cu-Sn	1,2	1108110	10	1708110	1350
	MEGA	M8	25÷35	Cu-Sn	1,2	1108120	10	1708120	1050
3	MEGA	M8	25÷40	Cu-Sn	1,5	1608196	500		
	MEGA	M8	AWG-1	Cu-Sn	1,5	1608199	500		
4	W84	M8	10÷25	CuZn-Sn	1,5	1608800	1400		
5	W62	M8	25÷40	Cu-Sn	1,5	1609320	700		

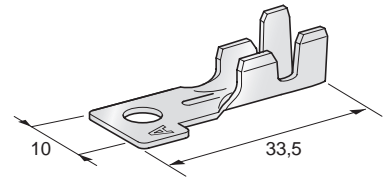
# MIDI



1

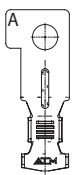


2

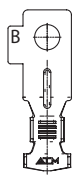


3

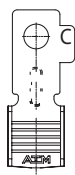
IMG	DESCRIPTION	SCREW	WIRE SECTION mm <sup>2</sup>	MATERIAL	MATERIAL THICKNESS mm	P/N REEL	M.O.Q.
1	MIDI	M4	2,5÷4	CuZn-Sn	0,8	1708280	3000
2	MIDI	M5	2,5÷4	CuZn-Sn	0,8	1708240	3000
	MIDI	M5	6÷8	CuZn-Sn	0,8	1708245	2400
	MIDI	M6	6÷8	CuZn-Sn	0,8	1708246	2400
3	MIDI	M5	2,5÷4	Cu-Sn	0,8	1705606	3000
	MIDI POL A	M5	2,5÷4	Cu-Sn	0,8	1705616	3000
	MIDI POL B	M5	2,5÷4	Cu-Sn	0,8	1705626	3000
	MIDI POL E	M5	2,5÷4	Cu-Sn	0,8	1705656	3000
	MIDI	M5	6÷8	Cu-Sn	0,8	1705705	3000
	MIDI POL A	M5	6÷8	Cu-Sn	0,8	1705715	3000
	MIDI POL B	M5	6÷8	Cu-Sn	0,8	1705725	3000
	MIDI POL D	M5	6÷8	Cu-Sn	0,8	1705745	3000
	MIDI POL C	M5	6÷8	Cu-Sn	0,8	1705735	3000



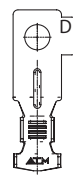
POL A



POL B



POL C

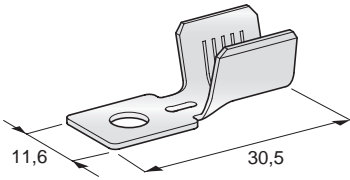


POL D

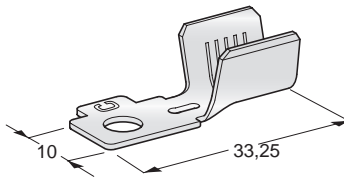


POL E

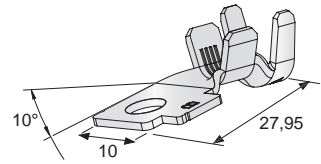
# MIDI



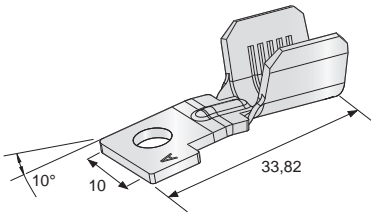
1



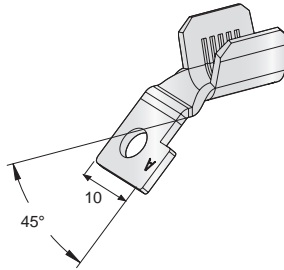
2



3

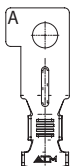


4

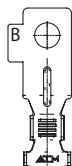


5

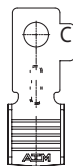
IMG	DESCRIPTION	SCREW	WIRE SECTION mm <sup>2</sup>	MATERIAL	MATERIAL THICKNESS mm	P/N BOX	M.O.Q.	P/N REEL	M.O.Q.
1	MIDI	M5	10÷16	CuZn-Sn	0,8			1708250	2400
2	MIDI POL A	M5	10÷20	Cu-Sn	1,5			1705855	1500
	MIDI POL B	M5	10÷20	Cu-Sn	1,5			1705825	1000
	MIDI POL B	M5	25÷35	Cu-Sn	1,5			1705925	800
	MIDI POL C	M5	10÷20	Cu-Sn	1,5			1705835	1500
	MIDI POL D	M5	10÷20	Cu-Sn	1,5			1705856	1000
3	MIDI G10 POL B	M5	6÷8	CuZn-Sn	1			1705726	2700
4	MIDI G10 POL A	M5	10÷20	CuZn-Sn	1,5			1705816	1500
	MIDI G10 POL B	M5	10÷20	CuZn-Sn	1,5			1705826	1500
	MIDI G10 POL D	M5	10÷20	CuZn-Sn	1,5			1705846	1500
5	MIDI G135 POL A	M5	10÷20	CuZn-Sn	1,5	1605815	1500		



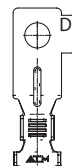
POL A



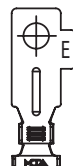
POL B



POL C



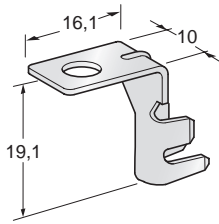
POL D



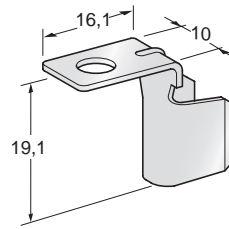
POL E



# MIDI G90

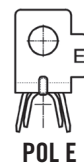
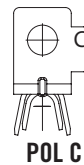
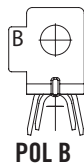
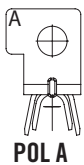


1

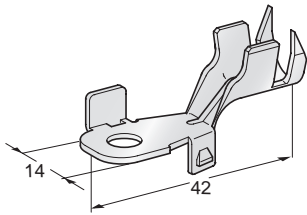


2

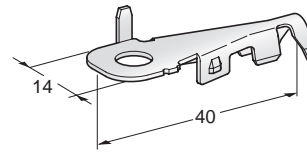
IMG	DESCRIPTION	SCREW	WIRE SECTION mm <sup>2</sup>	MATERIAL	MATERIAL THICKNESS mm		P/N BOX	M.O.Q.
1	MIDI G90 UNI	M5	2,5÷4	Cu-Sn	0,8		1605600	2500
	MIDI G90 UNI	M5	6÷8	Cu-Sn	0,8		1605700	2500
	MIDI G90 POL A	M5	2,5÷4	Cu-Sn	0,8		1605610	2500
	MIDI G90 POL A	M5	6÷8	Cu-Sn	0,8		1605710	2000
	MIDI G90 POL B	M5	2,5÷4	Cu-Sn	0,8		1605620	2500
	MIDI G90 POL B	M5	6÷8	Cu-Sn	0,8		1605720	2000
	MIDI G90 POL C	M5	2,5÷4	Cu-Sn	0,8		1605630	2500
2	MIDI G90 POL C	M5	6÷8	Cu-Sn	0,8		1605730	2000
	MIDI G90 POL E	M5	2,5÷4	Cu-Sn	0,8		1605650	2500
	MIDI G90 UNI	M5	10÷20	Cu-Sn	1,5		1605800	2000
	MIDI G90 UNI	M5	25÷35	Cu-Sn	1,5		1605900	2000
	MIDI G90 POL A	M5	10÷20	Cu-Sn	1,5		1605810	1500
	MIDI G90 POL A	M5	25÷35	Cu-Sn	1,5		1605910	2000
	MIDI G90 POL B	M5	10÷20	Cu-Sn	1,5		1605820	2000
	MIDI G90 POL C	M5	10÷20	Cu-Sn	1,5		1605830	2000
	MIDI G90 POL C	M5	25÷35	Cu-Sn	1,5		1605930	2000



# REVERSIBLE



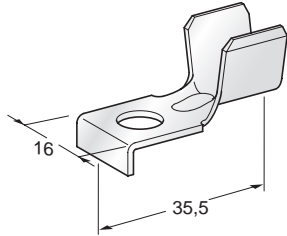
1



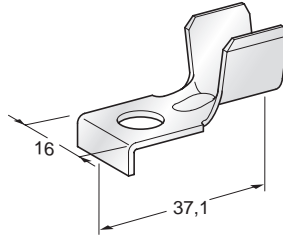
2

IMG	DESCRIPTION	SCREW	WIRE SECTION mm <sup>2</sup>	MATERIAL	MATERIAL THICKNESS mm		P/N REEL	M.O.Q.
1	RVS A	M6	2,5÷4	Cu-Sn	0,8		1706900	2250
	RVS A	M6	6÷8	Cu-Sn	1		1706910	2100
	RVS A	M6	10÷16	Cu-Sn	1,2		1706920	1800
2	RVS B	M6	2,5÷4	Cu-Sn	0,8		1706930	3300
	RVS B	M6	6÷8	Cu-Sn	1		1706940	3000

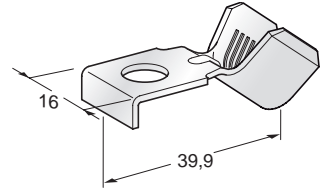
# SQUARE



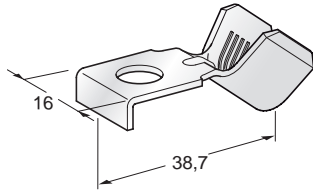
1



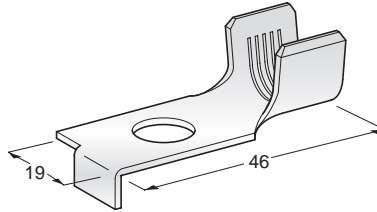
2



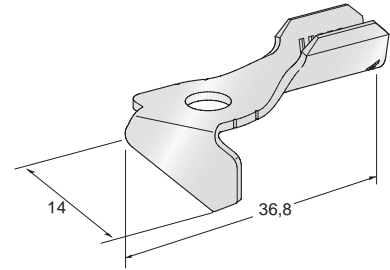
3



4



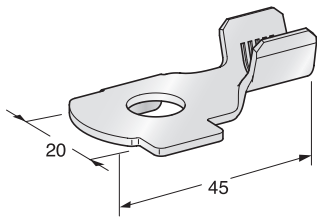
5



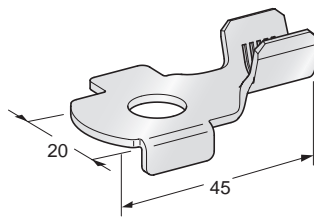
6

IMG	DESCRIPTION	SCREW	WIRE SECTION mm <sup>2</sup>	MATERIAL	MATERIAL THICKNESS mm	P/N BOX	M.O.Q.	P/N REEL	M.O.Q.		
1	SQR A	M6	10÷20	CuZn-Sn	1,2	1906970	1000	1706970	1800		
	SQR A	M6	25÷35	CuZn-Sn	1,2			1706980	1500		
	SQR A	M6	25÷40	CuETP-Sn	1,5	1606981	1800				
	SQR A	M8	10÷20	CuZn-Sn	1,2			1706950	1800		
	SQR A	M8	10÷20	CuZn-Sn	1,5			1606991	1700		
	SQR A	M8	25÷35	CuZn-Sn	1,2				1706960	1500	
2	SQR A	M8	25÷40	CuZn-Sn	1,5	1606992	800				
	<b>SQR A G45</b>	<b>M8</b>	<b>25÷40</b>	<b>CuZn-Sn</b>	<b>1,5</b>	<b>1606994</b>	<b>900</b>				
4	SQR A G40	M6	25÷40	CuZn-Sn	1,2	1606982	2000				
5	SQR B	M10	10÷20	CuZn-Sn	1,5			1708220	1000		
	SQR B	M10	25÷35	CuZn-Sn	1,5			1708200	800		
6	SQR 30	M6	6÷8	CuZn-Sn	1,2	1608340	3000	1708340	1800		
	SQR 30	M6	10÷20	CuZn-Sn	1,2	1608345	1000	1708345	1500		
	<b>SQR 30</b>	<b>M6</b>	<b>25÷40</b>	<b>CuZn-Sn</b>	<b>1,2</b>	<b>1608346</b>	<b>800</b>				

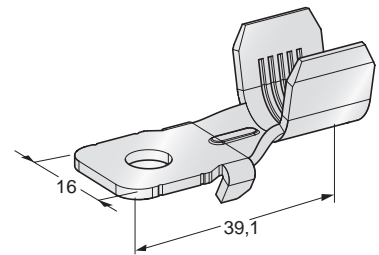
# SQUARE



1



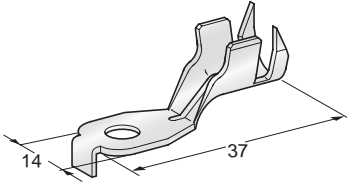
2



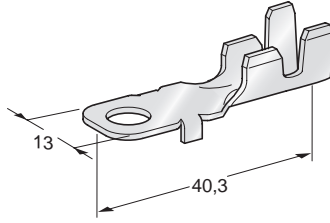
3

IMG	DESCRIPTION	SCREW	WIRE SECTION mm <sup>2</sup>	MATERIAL	MATERIAL THICKNESS mm		P/N REEL	M.O.Q.
1	SQR C DX	M10	10÷20	CuZn-Sn	1,5		1708185	1000
2	SQR C SX	M10	25÷40	CuZn-Sn	1,5		1708270	1000
3	SQR C MY03	M6	10÷20	CuZn-Sn	1,5		1706975	1800
	SQR C MY03	M6	25÷40	CuZn-Sn	1,5		1706977	1500

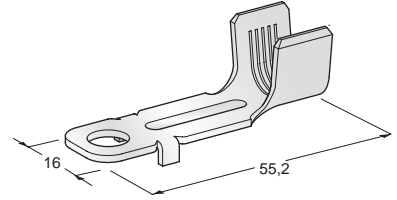
SMT



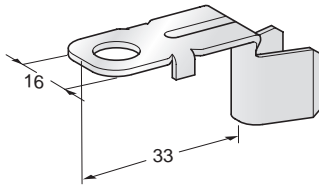
1



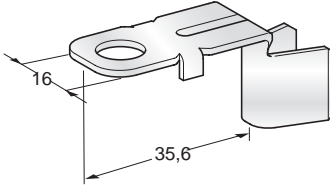
2



3



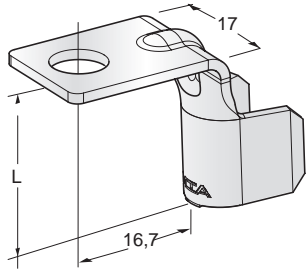
4



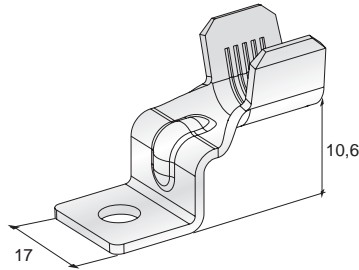
5

IMG	DESCRIPTION	SCREW	WIRE SECTION mm <sup>2</sup>	MATERIAL	MATERIAL THICKNESS mm	P/N BOX	M.O.Q.	P/N REEL	M.O.Q.
1	SMT A	M6	4÷8	CuZn-Sn	1			1706880	2100
	SMT A	M6	10÷16	CuZn-Sn	1,2	1606890	2000	1706890	1800
2	SMT B	M6	2,5÷4	CuZn-Sn	0,8			1706600	4500
3	SMT C	M8	50÷70	CuZn-Sn	1,5	1606796	1000		
4	SMT C G90	M6	6÷8	CuZn-Sn	1,2	1606775	500		
	SMT C G90	M6	10÷20	CuZn-Sn	1,2	1606770	2000		
	SMT C G90	M6	25÷40	CuZn-Sn	1,2	1606500	600		
	SMT C G90	M8	10÷20	CuZn-Sn	1,2	1606780	2000		
	SMT C G90	M8	25÷40	CuZn-Sn	1,2	1606785	2000		
5	SMT C G90	M8	50÷70	CuZn-Sn	1,5	1606795	1000		

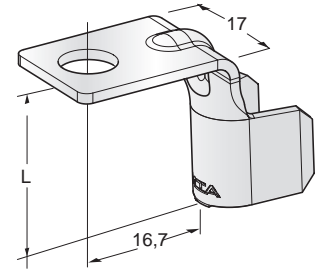
# SPECIAL TYPES



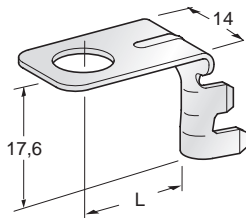
1



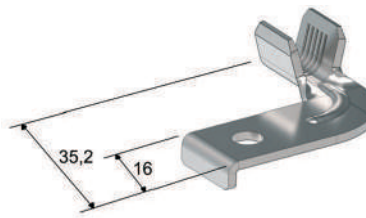
2



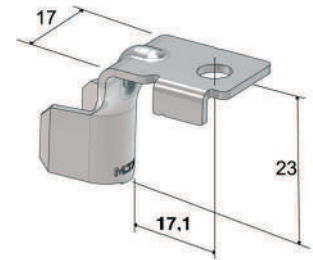
3



4



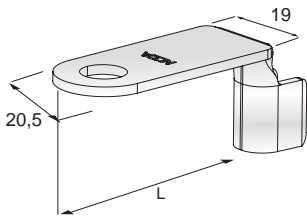
5



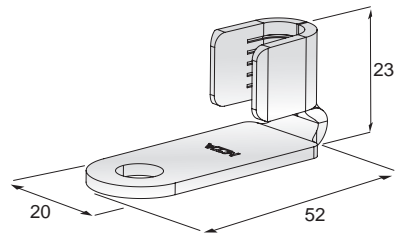
6

IMG	DESCRIPTION	SCREW	WIRE SECTION mm <sup>2</sup>	MATERIAL	MATERIAL THICKNESS mm	L		P/N BOX	M.O.Q.
1	FDU G90	M8	25÷40	CuZn-Sn	1,5	23		1608380	1500
	FDU G90	M6	25÷40	CuZn-Sn	1,5	23		1608381	700
	FDU G90	M6	25÷35	Cu-Sn	1,5	27,4		1608384	600
2	FDU G90	M6	25÷40	CuZn-Sn	1,5			1608382	700
3	G90	M8	50÷70	Cu-Sn	1,8			1607500	600
4	PTC G90	M8	2,5÷4	Cu-Sn	0,8	15,4,		1608500	2000
	STR-S G90	M6	2,5÷4	Cu-Sn	0,8	11,4		1608510	2300
5	SX FL90 P	M6	10÷16	CuZn-Sn	1,8			1704004	TBD
6	FDU GM90M6P	M6	25÷35	CuZn-Sn	1,5			1704010	600

# SPECIAL TYPES



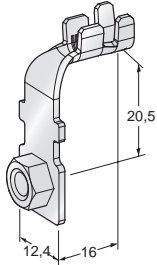
1



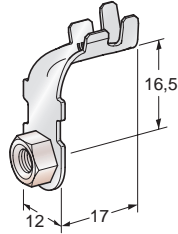
2

IMG	DESCRIPTION	SCREW	WIRE SECTION mm <sup>2</sup>	MATERIAL	MATERIAL THICKNESS mm	L		P/N BOX	M.O.Q.
1	G90	M8	16	CuZn-Sn	1,9	44,5		1793752	500
	G90	M8	16	CuZn-Sn	1,9	54,5		1796416	500
2	G90	M8	35	CuZn-Sn	2,3			1793753	500

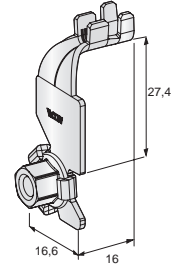
# NUT TYPES



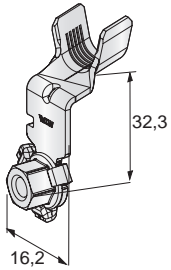
1



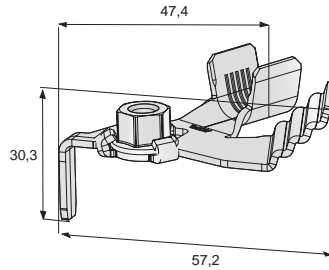
2



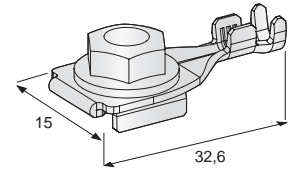
3



4



5

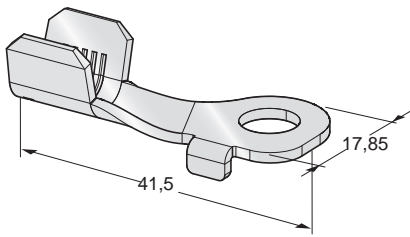


6

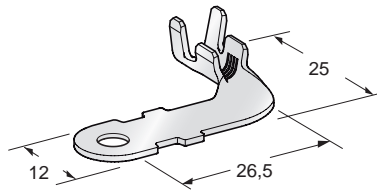
IMG	DESCRIPTION	SCREW	WIRE SECTION mm <sup>2</sup>	MATERIAL	MATERIAL THICKNESS mm		P/N BOX	M.O.Q.
1	NUT G90 SH	M5	2,5÷5	CuZn-Sn	1,2		1608420	1500
2	NUT G90	M5	2,5÷5	CuZn-Sn	1		1608400	1500
3	W95 G90	M5	2,5÷5	CuZn-Sn	1,2		1608470	800
4	STARTER W95 G90	M6	25÷40	CuZn-Sn	1,5		1608450	500
5	JUMP START W95	M6	25÷40	CuZn-Sn	1,5		1608460	230
6	NUT L32	M6	1÷3	CuZn-Sn	1		1608480	TBD



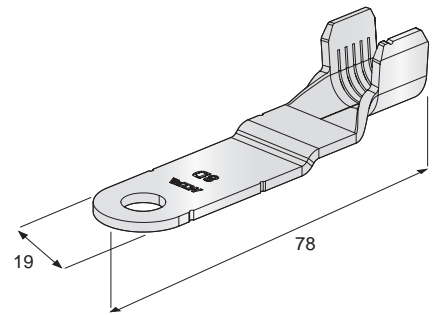
## SPECIAL TYPES



1



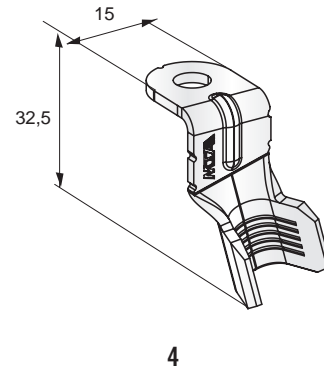
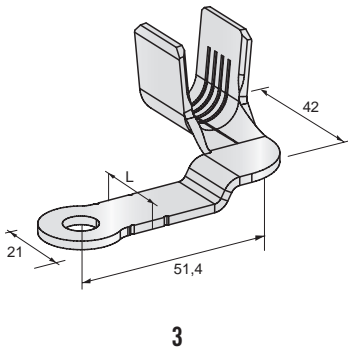
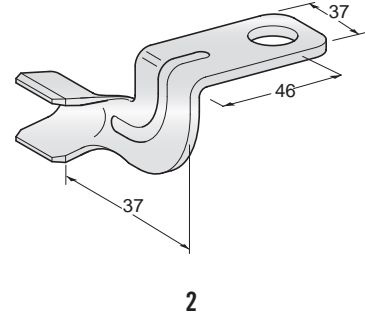
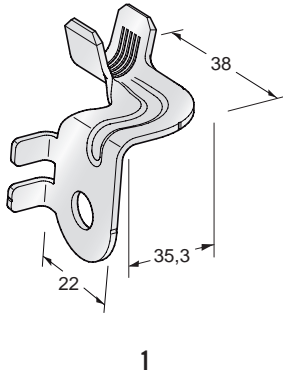
2



3

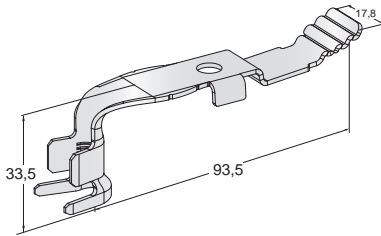
IMG	DESCRIPTION	SCREW	WIRE SECTION mm <sup>2</sup>	MATERIAL	MATERIAL THICKNESS mm	P/N BOX	M.O.Q.	P/N REEL	M.O.Q.
1	STARTER L41	M8	10÷20	CuZn-Sn	1,5			1708360	1500
	STARTER L41	M8	25÷40	CuZn-Sn	1,5			1708370	1200
2	X70 FL90	M5	4÷7	CuZn-Sn	1	1608415	3000		
3	ALTERNATOR	M8	35÷50	Cu-Sn	2	1607400	300		

## SPECIAL TYPES

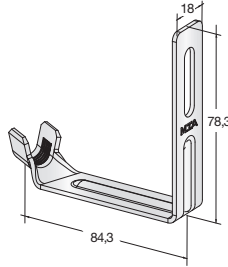


IMG	DESCRIPTION	SCREW	WIRE SECTION mm <sup>2</sup>	MATERIAL	MATERIAL THICKNESS mm	L		P/N BOX	M.O.Q.
1	ND TW90	M8	25÷40	CuZn-Sn	1,5			1609100	280
2	FLANGE TW90	M8	10÷20	CuZn-Sn	1,5			1608600	1400
	FLANGE TW90	M8	25÷35	CuZn-Sn	1,5			1608700	1500
3	D21	M8	16÷41	CuZn-Sn	2	16		1609910	380
	D21	M8	14÷41	CuZn-Sn	2	13		1609920	250
	D21	M8	16÷41	Cu-Sn	2	16		1609911	250
4	FL15G90	M6	25÷35	Cu-Sn	1,8			1608520	700

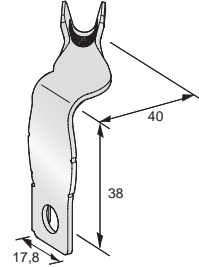
# SPECIAL TYPES



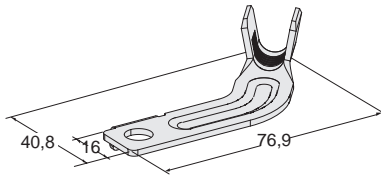
1



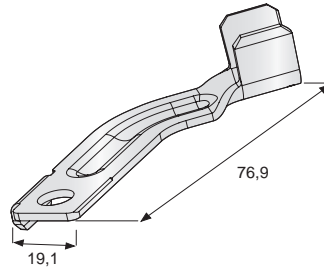
2



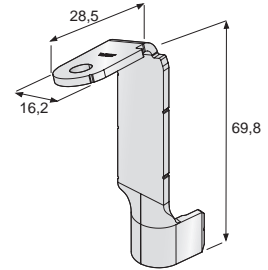
3



4



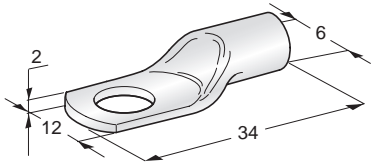
5



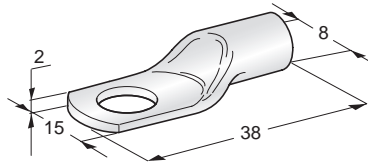
6

IMG	DESCRIPTION	SCREW	WIRE SECTION mm <sup>2</sup>	MATERIAL	MATERIAL THICKNESS mm		P/N BOX	M.O.Q.
1	W84 G90	M8	25÷41	CuZn-Sn	1,5		1609400	350
2	SLOT G90	M8	25÷40	CuZn-Sn	1,8		1609500	300
3	W84 TW90	M8	10÷25	Cu-Sn	1,5		1608911	800
4	W61 FLAG 50	M8	25	CuZn-Sn	1,8		1609600	500
5	W62 FLAG 50	M8	25÷40	CuZn-Sn	1,8		1609310	300
6	W95 G90	M6	25÷40	CuZn-Sn	2,2		1608440	400

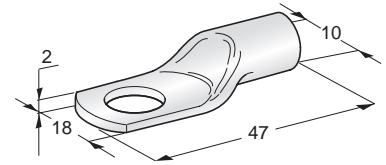
# TUBULAR



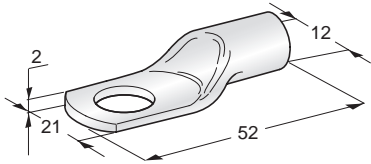
1



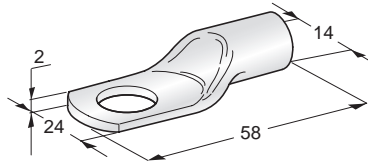
2



3



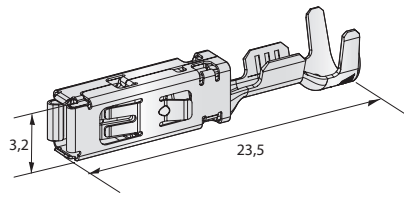
4



5

IMG	DESCRIPTION	SCREW	WIRE SECTION mm <sup>2</sup>	MATERIAL		P/N BOX	M.O.Q.
1	TUBOLAR L34	M6	16	Cu-Sn		1605000	50
	TUBOLAR L34	M8	16	Cu-Sn		1605100	50
2	TUBOLAR L38	M8	25	Cu-Sn		1605010	50
	TUBOLAR L38	M10	25	Cu-Sn		1605110	50
3	TUBOLAR L47	M8	35	Cu-Sn		1605021	50
	TUBOLAR L47	M10	35	Cu-Sn		1605020	50
4	TUBOLAR L52	M11	50	Cu-Sn		1605030	25
5	TUBOLAR L58	M13	75	Cu-Sn		1605040	25

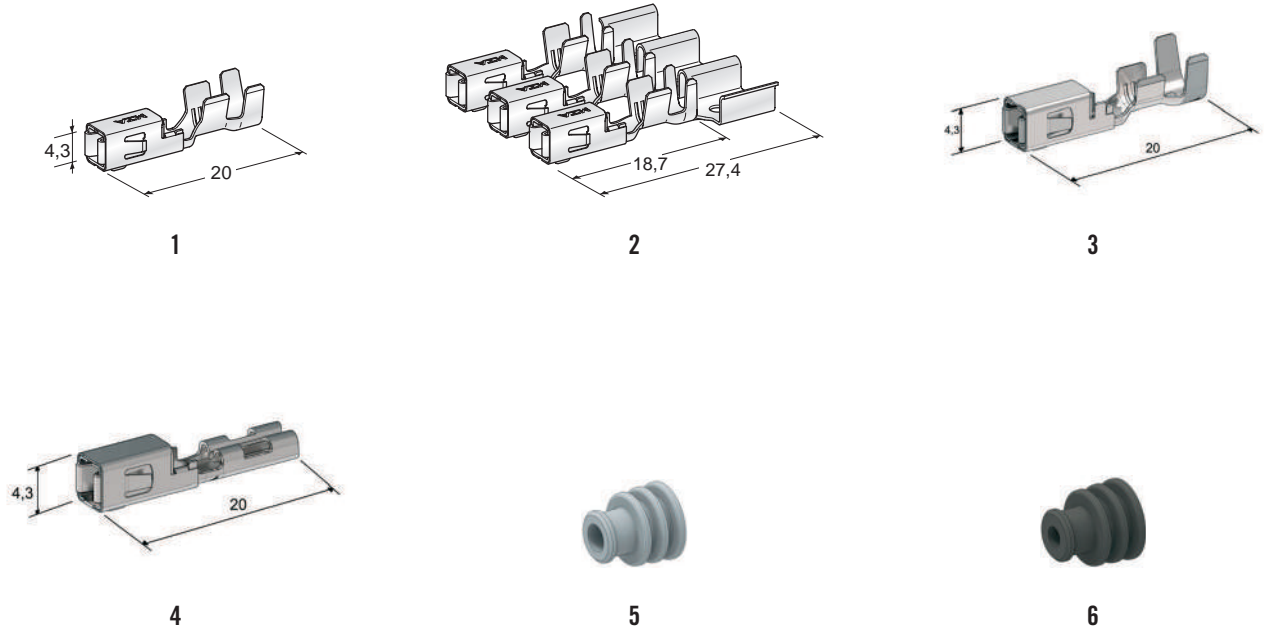
# HP6 280



1

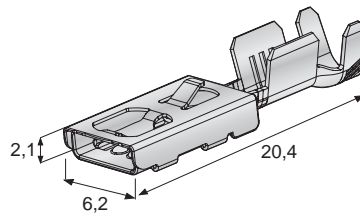
IMG	DESCRIPTION	WIRE SECTION mm <sup>2</sup>	MATERIAL	MATERIAL THICKNESS mm	CONTACT AREA COATING	P/N BOX	M.O.Q.	P/N REEL	M.O.Q.
1	HP6 280	0,5÷1	Cu Alloy-Sn	0,3	Au	1108380	100	1708380	14000
	HP6 280	1,5÷2,5	Cu Alloy-Sn	0,3	Au	1108381	100	1708381	14000
	HP6 280	0,5÷1	Cu Alloy-Sn	0,3	Sn	1108382	100	1708382	14000
	HP6 280	1,5÷2,5	Cu Alloy-Sn	0,3	Sn	1108383	100	1708383	14000

# MINI 280



IMG.	DESCRIPTION	WIRE SECTION mm <sup>2</sup>	WIRE DIAMETER Ømm	MATERIAL	MAT. THICK. mm	TAB / COLOUR	P/N BOX	M.O.Q.	P/N REEL	M.O.Q.
1	MINI F280	0,35÷0,75		CuFe-Sn	0,3		1108330	100	1708330	9000
	MINI F280	1÷2		CuFe-Sn	0,3		1108331	100	1708331	9000
	MINI F280	2,5÷4		CuFe-Sn	0,3		1108332	100	1708332	9000
2	MINI F280 BUS BAR	1÷2		CuFe-Sn	0,3				1708335	15000
	MINI F280 BUS BAR	2,5÷4		CuFe-Sn	0,3				1708336	15000
3	MINI F280 WP	0,35÷0,75		CuFe-Sn	0,3		1108337	100	1708337	9000
	MINI F280 WP	1÷2		CuFe-Sn	0,3		1108338	100	1708338	9000
	MINI F280 WP	2,5÷4		CuFe-Sn	0,3		1108339	100	1708339	9000
4	MINI F280 DOUBLE			CuFe-Sn		Male 2,8			1708334	20000
5	GASKET		2,2÷3	Silicon		Green	4551747	100	4550747	TBD
	GASKET		1,2÷2,1	Silicon		Red	4551748	100	4550748	TBD
	GASKET		3,1÷3,7	Silicon		Grey	4551749	100	4550749	TBD
6	PLUG			Silicon		Black			4550750	TBD

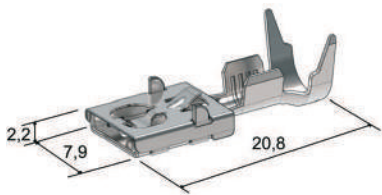
# F 480E



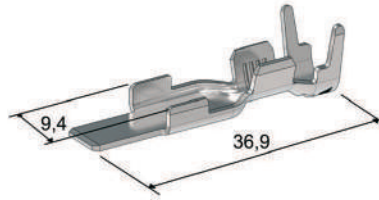
1

IMG	DESCRIPTION	WIRE SECTION mm <sup>2</sup>	MATERIAL	MATERIAL	P/N BOX	M.O.Q.	P/N REEL	M.O.Q.
1	F480E	0,5÷1	CuZn-Sn	0,3	1108400	100	1708400	25000
	F480E	1,5÷2,5	Cu Alloy-Sn	0,3	1108401	100	1708401	20000
	F480E	0,35÷0,5	CuZn-Sn	0,3	1108402	100	1708402	16500

# F630E & M630



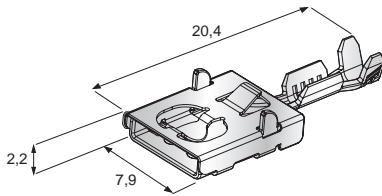
1



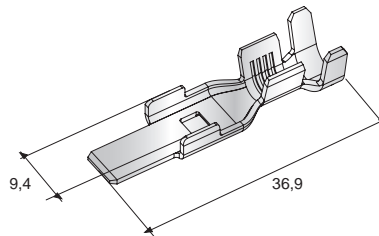
2



3



4

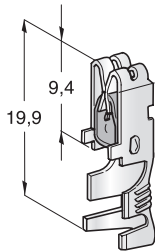


5

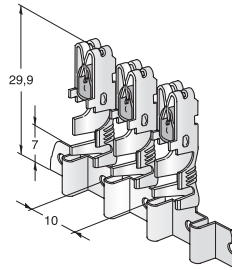
IMG.	DES.	WIRE SECTION mm <sup>2</sup>	WIRE DIAMETER Ømm	MATERIAL	MATERIAL THICKNESS mm	TAB	COLOUR	P/N BOX	M.O.Q.	P/N REEL	M.O.Q.
1	F630 E WP	2÷3		Cu Alloy-Sn	0,4	6,3 x 0,8				1708505	TBD
	F630 E WP	4÷6		Cu Alloy-Sn	0,4	6,3 x 0,8				1708504	TBD
2	M630 WP	2,5÷4		Cu-Sn	0,8					1707995	2550
	M630 WP	6		Cu-Sn	0,8					1707994	2550
3	GASKET		2,7÷3,7	Silicon			Red	4551901	TBD		
	GASKET		4÷4,3	Silicon			Yellow	4551902	TBD		
4	F630 E	0,35÷0,5		CuZn-Sn	0,4	6,3 x 0,8		1108500	100	1708500	17500
	F630 E	0,75÷1,5		CuZn-Sn	0,4	6,3 x 0,8		1108501	100	1708501	15000
	F630 E	2÷3		Cu Alloy-Sn	0,4	6,3 x 0,8		1108502	100	1708502	12500
	F630 E	4÷6		Cu Alloy-Sn	0,4	6,3 x 0,8		1108503	100	1708503	10500
	F630 E	0,35÷0,5		CuZn-Sn	0,4	5,2 x 0,6		1108510	100	1708510	TBD
	F630 E	0,75÷1,5		CuZn-Sn	0,4	5,2 x 0,6		1108511	100	1708511	15000
	F630 E	2÷2,5		Cu Alloy-Sn	0,4	5,2 x 0,6		1108512	100	1708512	12500
	F630 E	4÷6		Cu Alloy-Sn	0,4	5,2 x 0,6		1108513	100	1708513	10500
5	M630	1,5÷2		Cu-Sn	0,8			1107990	20	1707990	3000
	M630	2,5÷4		Cu-Sn	0,8			1107991	20	1707991	3000
	M630	6÷8		Cu-Sn	0,8			1107992	20	1707992	2850
	M630	10		Cu-Sn	0,8			1107993	20	1707993	2550



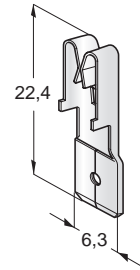
# UNI 630



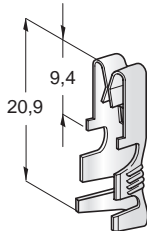
1



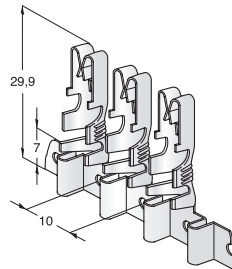
2



3



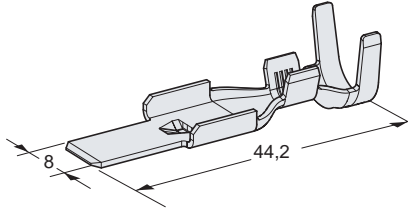
4



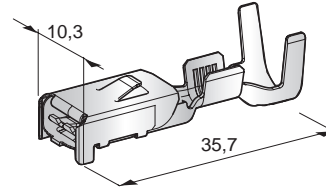
5

IMG	DESCRIPTION	WIRE SECTION mm <sup>2</sup>	MATERIAL	MATERIAL THICKNESS mm	P/N BOX	M.O.Q.	P/N REEL	M.O.Q.
1	UNI F630 WITH CLIP	0,5÷1,5	CuSn-Sn	0,4	1107920	100	1707920	8000
	UNI F630 WITH CLIP	2÷3	CuSn-Sn	0,4	1107930	100	1707930	8000
	UNI F630 WITH CLIP	4÷6	CuNi-Sn	0,4	1107940	50	1707940	7200
2	UNI F630 BUS BAR WITH CLIP	2÷3	CuSn-Sn	0,4			1707932	12000
	UNI F630 BUS BAR WITH CLIP	4÷6	CuNi-Sn	0,4			1707942	9000
3	UNI F630		CuSn-Sn	0,4	1107501	100	1907501box	5000
4	UNI F630	0,5÷1,5	CuSn-Sn	0,4	1107900	100	1707900	8000
	UNI F630	2÷3	CuSn-Sn	0,4			1707902	8000
	UNI F630	4÷6	CuSn-Sn	0,4	1107901	100	1707901	7200
5	UNI F630 BUS BAR	2÷3	CuSn-Sn	0,4			1707912	12000
	UNI F630 BUS BAR	4÷6	CuSn-Sn	0,4			1707911	9000

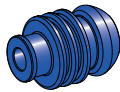
# MAXI 800 WP



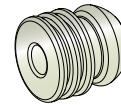
1



2



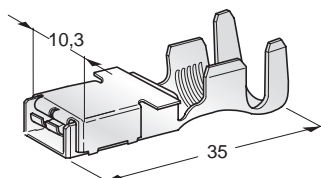
3



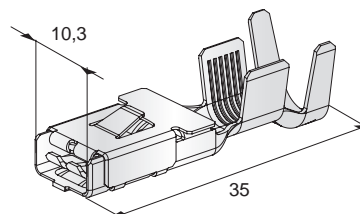
4

IMG	DESCRIPTION	WIRE SECTION mm <sup>2</sup>	WIRE DIAMETER Ømm	MATERIAL	MATERIAL THICKNESS mm	COLOUR	P/N BOX	M.O.Q.	P/N REEL	M.O.Q.
1	WP M800	2,5÷4		Cu-Sn	0,8		1107760	20	1707760	1300
	WP M800	6÷8		Cu-Sn	0,8		1107770	20	1707770	1300
	WP M800	10÷16		Cu-Sn	0,8				1707780	1950
2	WP F800	1,5 ÷ 2,5		CuZn-Sn	0,5		1107400	20	1707400	1950
	WP F800	3 ÷ 6		CuZn-Sn	0,5		1107410	20	1707410	1950
	WP F800	7 ÷ 10		CuNi-Sn	0,5		1107420	20	1707420	1950
3	GASKET		1,9 - 3,3	SILICON		■ Green	4550780	5000		
	GASKET		3,4 - 4,9	SILICON		■ Blue	4550781	5000		
	GASKET		5 - 6,5	SILICON		■ Red	4550782	5000		
4	CAVITY PLUG			SILICON		□ Natural	4550784	5000		

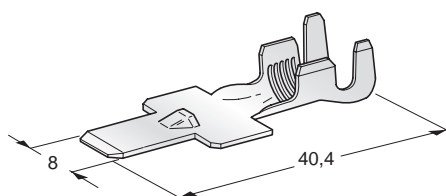
# MAXI 800



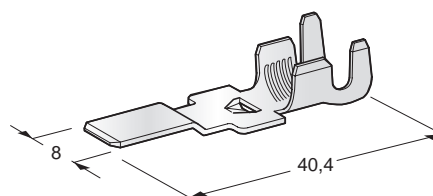
1



2



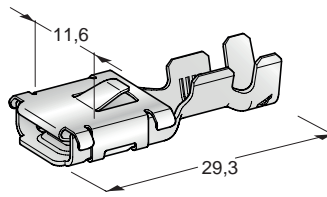
3



4

IMG	DESCRIPTION	WIRE SECTION mm <sup>2</sup>	MATERIAL	MATERIAL THICKNESS mm	P/N BOX	M.O.Q.	P/N REEL	M.O.Q.
1	F800	1,5÷2,5	CuZn-Sn	0,5	1107650	20	1707650	3000
	F800	4÷6	CuZn-Sn	0,5	1107660	20	1707660	3000
	F800	8÷10	CuZn-Sn	0,5	1107670	20	1707670	1950
	F800	8÷10	CuNi-Sn	0,5			1707672	1950
	F800	16	CuNi-Sn	0,5	1107671	20	1707671	1950
2	F800 WITH CLIP	1,5÷2,5	CuZn-Sn	0,5			1707620	3000
	F800 WITH CLIP	4÷6	CuZn-Sn	0,5			1707621	3000
	F800 WITH CLIP	8÷10	CuNi-Sn	0,5			1707622	1950
3	M800	2,5÷4	Cu-Sn	0,8	1107675	20	1707675	3000
	M800	6÷8	Cu-Sn	0,8	1107685	20	1707685	2400
	M800	10÷16	Cu-Sn	0,8	1107690	20	1707690	1950
4	WP M800	2,5÷4	Cu-Sn	0,8	1107700	20	1707700	3000
	WP M800	6÷8	Cu-Sn	0,8	1107710	20	1707710	2400
	WP M800	10÷16	Cu-Sn	0,8	1107720	20	1707720	2100

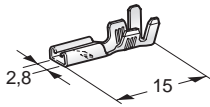
# POWER 950



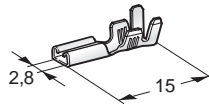
1

IMG	DESCRIPTION	WIRE SECTION mm <sup>2</sup>	MATERIAL	MATERIAL THICKNESS mm	P/N BOX	M.O.Q.	P/N REEL	M.O.Q.
1	F950	2,5÷4	Cu-Sn	0,6	1107740	20	1707740	3000
	F950	6÷8	Cu-Sn	0,6	1107741	20	1707741	2400
	F950	10÷16	Cu-Sn	0,6			1707742	1950

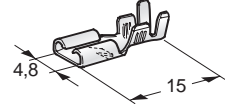
# FASTON



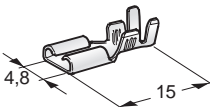
1



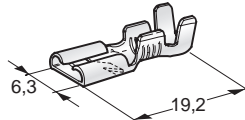
2



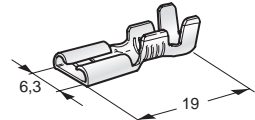
3



4



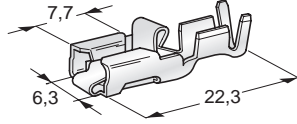
5



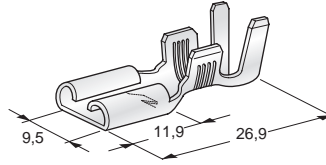
6

IMG	DESCRIPTION	WIRE SECTION mm <sup>2</sup>	MATERIAL THICKNESS mm	MATERIAL	P/N BOX	M.O.Q.	P/N BOX	M.O.Q.	P/N REEL	M.O.Q.
1	F280 WITH LOCKING NOTCH	0,5÷1	0,25	CuZn-Sn	1101700	200				
2	F280	0,3÷1	0,30	CuZn	1301390	2000	1901390	10000		
3	F480 WITH LOCKING NOTCH	0,5÷1	0,32	CuZn-Sn	1101710	100				
4	FASTON F480	0,5÷1	0,33	CuZn	1301391	100	1901391	10000		
5	F630 WITH LOCKING NOTCH	1÷2,5	0,35	CuZn	1301650	5000	1901650	5000		
	F630 WITH LOCKING NOTCH	1÷2,5	0,35	CuZn-Sn	1101650	5000	1911650	5000	1701650	15000
	F630 WITH LOCKING NOTCH	2,5÷6	0,35	CuZn-Sn					1701651	3000
6	F630	0,5÷1,5	0,40	CuZn	1301402	100	1901402	5000		
	F630	1÷2,5	0,35	CuZn-Sn					1701655	15000
	F630	1÷2,5	0,40	CuZn	1301400	10000	1901400	5000	1401400	15000
	F630	1÷2,5	0,40	CuZn-Sn	1101400	200	1911400	5000	1701400	15000

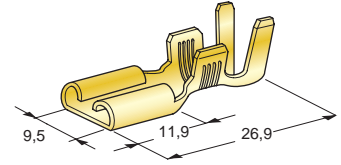
# FASTON



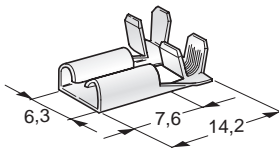
1



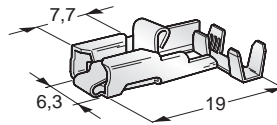
2



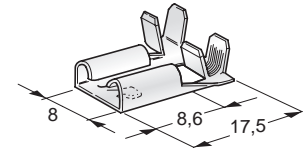
3



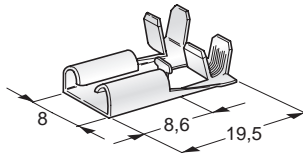
4



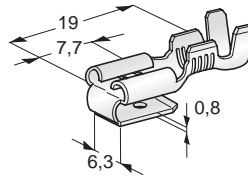
5



6



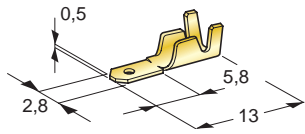
7



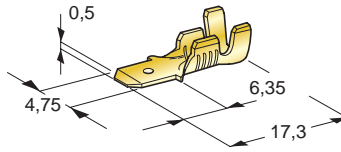
8

IMG	DESCRIPTION	WIRE SECTION mm <sup>2</sup>	MATERIAL THICKNESS mm	MATERIAL	P/N BOX	M.O.Q.	P/N REEL	M.O.Q.
1	ANTISF F630	0,5÷1,5	0,4	CuZn-Sn	1107000	50		
	ANTISF F630	2,5÷4	0,4	CuZn-Sn	1107010	50		
2	F950 WITH LOCKING NOTCH	6÷10	0,4	CuZn-Sn	1101720	100		
3	F950	3÷6	0,4	CuZn	1301420	100	1901420box	3000
4	F630 FLAG	0,5÷1,5	0,4	CuZn-Sn			1701530	12000
5	ANTISF F630 FLAG	1÷2,5	0,4	CuZn-Sn	1107020	50		
6	F800 FLAG WITH LOCKING NOTCH	1÷2,5	0,4	CuZn-Sn	1101680	50		
7	F800 FLAG	1÷2,5	0,4	CuZn-Sn			1951145box	1000
8	630 2WAY	0,8÷2,5	0,4	CuZn-Sn	1301501	100	1901501box	5000

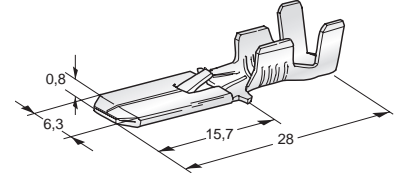
# FASTON



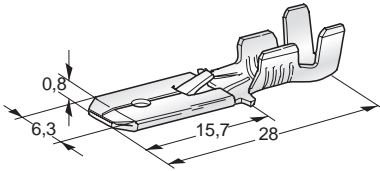
1



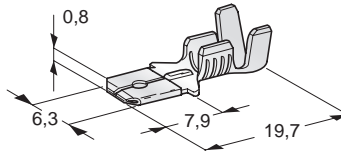
2



3



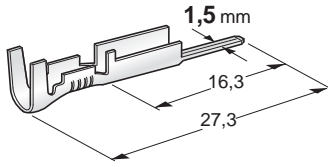
4



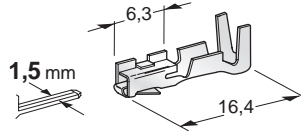
5

IMG	DESCRIPTION	WIRE SECTION mm <sup>2</sup>	MATERIAL THICKNESS mm	MATERIAL	P/N BOX	M.O.Q.	P/N REEL	M.O.Q.
1	M280	0,5÷1	0,5	CuZn	1301418	200	1901418box	5000
2	M480	0,3÷1	0,5	CuZn	1301417	200	1901417box	5000
3	M630 WITH LOCKING NOTCH	0,75÷2	0,4	CuZn-Sn	1101660	100	1701660	3500
	M630 WITH LOCKING NOTCH	0,75÷2	0,4	CuZn	1301660	5000	1401660	4000
	M630 WITH LOCKING NOTCH	0,75÷2	0,4	CuZn	1901660	5000		
	M630 WITH LOCKING NOTCH	4÷6	0,4	CuZn-Sn	1101662	100		
4	M630 WITH LOCKING NOTCH	1÷2,5	0,4	CuZn	1301665	100	1901665box	5000
5	M630	0,5÷1	0,4	CuZn	1301411	100	1901411box	5000
		1÷2,5	0,4	CuZn-Sn	1101412	100	1701412	5000
		1÷2,5	0,4	CuZn-Sn	1951194	5000		
		1÷2,5	0,4	CuZn	1301412	100	1901412box	5000

# FOR SEAL CONNECTORS



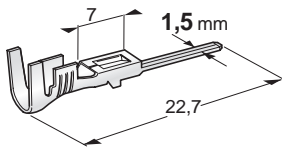
1



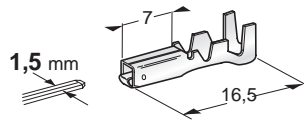
2



3



4



5



6

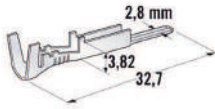


7

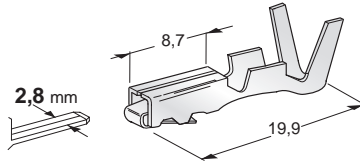
IMG	DESCRIPTION	WIRE SECTION mm <sup>2</sup>	MATERIAL THICKNESS mm	MATERIAL	COLOUR	P/N BOX	M.O.Q.	P/N REEL	M.O.Q.
1	METRIPACK M150	0,5÷1	0,4	CuZn-Sn		1105510	100		
2	METRIPACK F150	0,5÷1	0,4	CuZn-Sn		1105500	100		
3	RUBBER	0,5÷1	-	Silicon	Red	4407530	100		
4	S-SEAL M150	1÷1,5	0,32	CuZn-Sn		1105550	100	1705550	4000
5	S-SEAL F150	1÷1,5	0,3	CuZn-Sn		1105560	100	1705560	3500
6	RUBBER	0,5÷1	-	Silicon	Yellow	4407740	100	4507740box	10000
7	CAVITY PLUG		-	Silicon	Red	4407750	100		



# FOR SEAL CONNECTORS



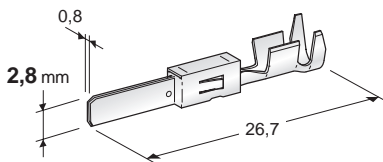
1



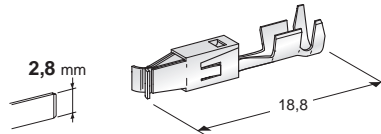
2



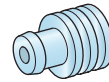
3



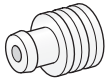
4



5



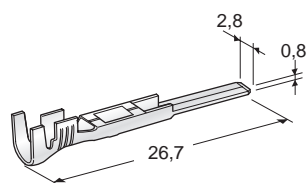
6



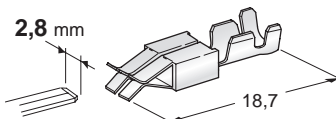
7

IMG	DESCRIPTION	WIRE SECTION mm <sup>2</sup>	MATERIAL THICKNESS mm	MATERIAL	COLOUR	P/N BOX	M.O.Q.	P/N REEL	M.O.Q.
1	METRIPACK M280	1÷2,5	0,4	CuSn-Sn		1104500	50	1704500	3500
2	METRIPACK F280	1÷2,5	0,4	CuSn-Sn		1104510	100	1704510	3200
3	RUBBER	1÷2,5		Silicon	■ Green	4407510	100	4507510box	5000
4	JPT-WP M280	0,5÷1,5	0,32	CuSn-Sn		1108290	100		
	JPT-WP M280	1,5÷2,5	0,32	CuSn-Sn		1108300	100		
5	JPT-WP F280	0,5÷1	0,32	CuSn-Sn		1108260	100		
	JPT-WP F280	1÷2,5	0,32	CuSn-Sn		1108270	100		
6	RUBBER	0,5÷1		Silicon	■ Azure	4510662	100		
7	RUBBER	1,5÷2,5		Silicon	□ White	4510658	100		

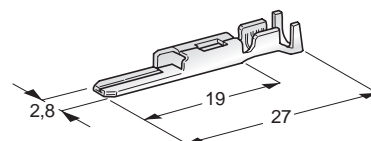
# FOR SEAL CONNECTORS



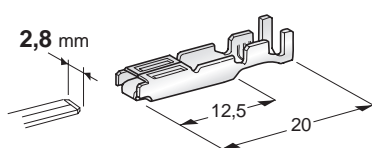
1



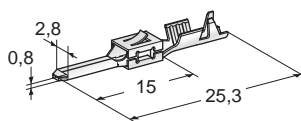
2



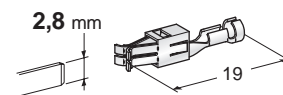
3



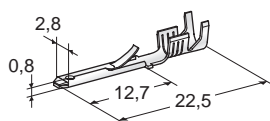
4



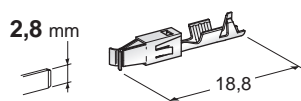
5



6



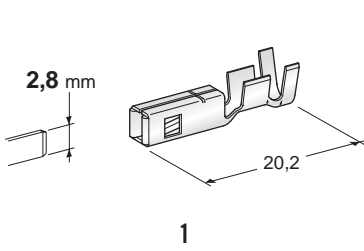
7



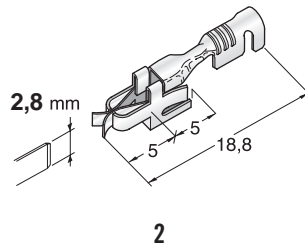
8

IMG	DESCRIPTION	WIRE SECTION mm <sup>2</sup>	MATERIAL THICKNESS mm	MATERIAL	P/N BOX	M.O.Q.
1	JT M280	0,35÷1	0,32	CuSn-Sn	1108280	100
2	JT F280	0,5÷1,5	0,32	CuSn-Sn	1107210	200
	JT F280	1,5÷2,5	0,32	CuSn-Sn	1107211	100
3	MARK II M280	0,5÷1,5	0,40	CuSn-Sn	1102010	200
4	MARK II F280	0,5÷1,5	0,40	CuSn-Sn	1102000	100
5	M280	0,5÷1	0,30	CuFe-Sn	1108030	50
6	F280	0,5÷1	0,30	CuFe-Sn	1108050	100
7	DIN 46343 FOR CAR RADIO	0,5÷1	0,38	CuSn-Sn	1108060	100
8	JPT F280	0,2÷0,5	0,32	CuSn-Sn	1105615	100
	JPT F280	0,5÷1	0,32	CuSn-Sn	1105620	100
	JPT F280	1,5÷2,5	0,32	CuSn-Sn	1105630	100

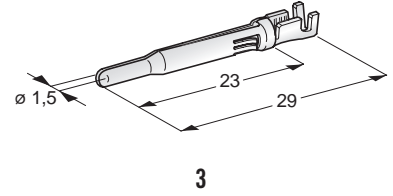
# FOR SEAL CONNECTORS



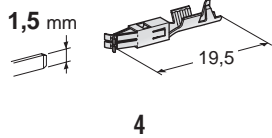
1



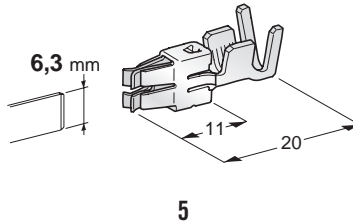
2



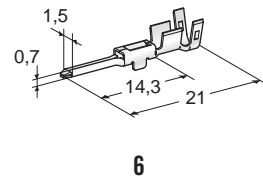
3



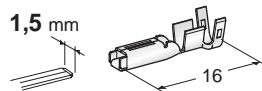
4



5



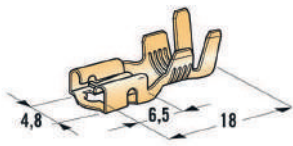
6



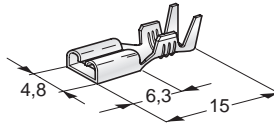
7

IMG	DESCRIPTION	WIRE SECTION mm <sup>2</sup>	MATERIAL THICKNESS mm	MATERIAL	P/N BOX	M.O.Q.
1	SICMA2 F280	0,35÷0,75	0,35	CuZn-Sn	1105660	100
	SICMA2 F280	1÷2,5	0,35	CuZn-Sn	1105670	100
2	JPT F280	0,5÷1	0,40	CuZn-Sn	1107209	100
	JPT F280	1,5÷2,5	0,40	CuZn-Sn	1107212	100
3	MFS M150	0,5÷1	0,30	CuZn-Sn	1108010	100
4	MKF F150	0,5÷1	0,30	CuZn-Sn	1108020	100
5	SPT F630	2,5÷4	0,40	CuZn-Sn	1102050	100
6	070 M150	0,75÷1,5	0,30	CuZn-Sn	1108080	100
7	070 F150	0,3÷0,5	0,32	CuZn-Sn	1107260	100
	070 F150	0,75÷1,5	0,30	CuZn-Sn	1108070	100

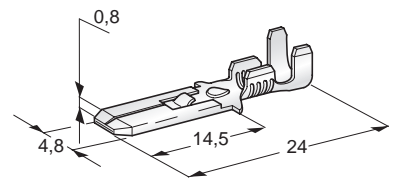
# PITCH 5



1



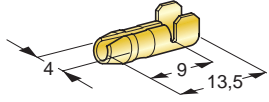
2



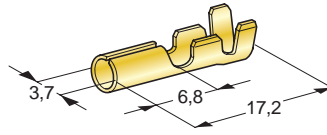
3

IMG	DESCRIPTION	WIRE SECTION mm <sup>2</sup>	MATERIAL THICKNESS mm	MATERIAL	P/N BOX	M.O.Q.	P/N REEL	M.O.Q.
1	PITCH 5 F480	0,5÷1,5	0,28	CuZn			1401910	5000
2	PITCH 5 F480	0,5÷1,5	0,35	CuZn-Sn	1101940	100	1701940	12000
3	PITCH 5 M480 WITH LOCKING NOTCH	0,5÷1,5	0,40	CuZn-Sn	1101950	100		

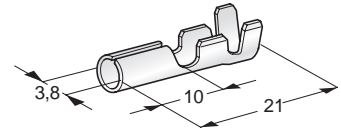
# PIN



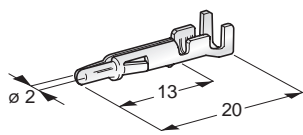
1



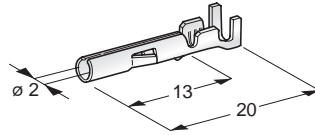
2



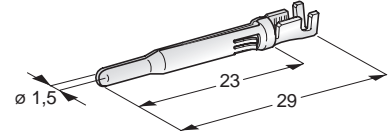
3



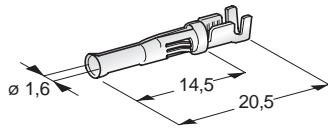
4



5



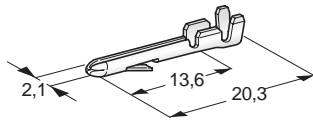
6



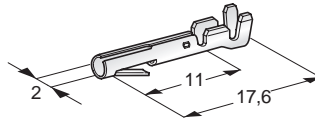
7

IMG	DESCRIPTION	WIRE SECTION mm <sup>2</sup>	MATERIAL THICKNESS mm	MATERIAL	P/N BOX	M.O.Q.
1	PIN TERMINAL L13 M4	1÷2,5	0,40	CuZn	1201000	100
2	PIN TERMINAL L17 F4	1÷2,5	0,40	CuZn	1201070	100
3	PIN TERMINAL L21 F4	0,5÷2,5	0,40	CuZn	1201110	100
4	MATE-N-LOCK M2	0,5÷2,5	0,30	CuZn-Sn	1201210	200
5	MATE-N-LOCK F2	0,5÷2,5	0,30	CuZn-Sn	1201200	200
6	ECONOSEAL M15	0,5÷1,5	0,30	CuZn-Sn	1201230	200
7	ECONOSEAL F15	0,5÷1,5	0,30	CuZn-Sn	1201220	200

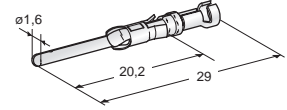
# PIN



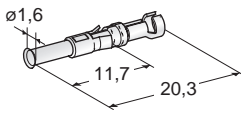
1



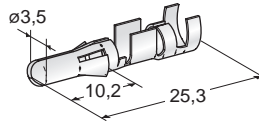
2



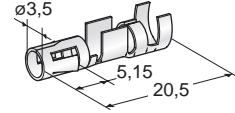
3



4



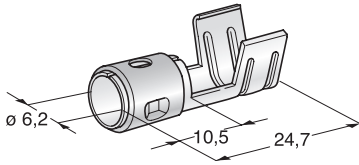
5



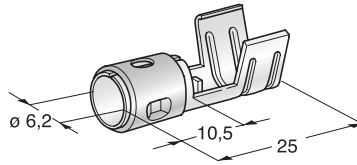
6

IMG	DESCRIPTION	WIRE SECTION mm <sup>2</sup>	MATERIAL THICKNESS mm	MATERIAL	P/N BOX	M.O.Q.
1	PIN TERMINAL L20 M2.1 FOR WATER TEMPERATURE	0,5÷1	0,32	CuZn-Sn	1201150	200
2	PIN TERMINAL L17 F2	0,5÷1	0,32	CuZn-Sn	1201160	200
3	PIN TERMINAL L29 M1.6	0,5÷1	0,35	CuSn-Sn	1107960	100
4	PIN TERMINAL L20 F1.6	0,5÷1	0,35	CuSn-Sn	1107970	100
5	PIN TERMINAL L25 M3.5	2,5÷6	0,35	CuSn-Sn	1107980	50
6	PIN TERMINAL L20 F3.5	2,5÷6	0,35	CuSn-Sn	1108000	50

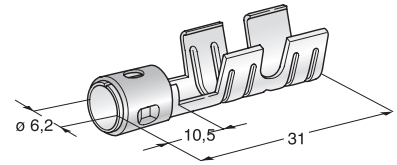
# IGNITION CABLES



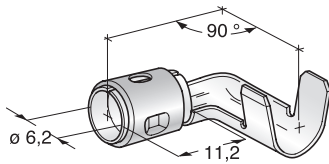
1



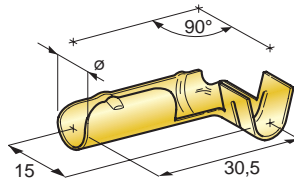
2



3



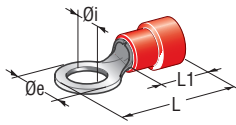
4



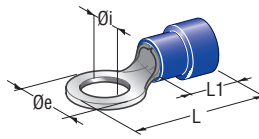
5

IMG	DESCRIPTION	WIRE SECTION mm <sup>2</sup>	Ø mm	MATERIAL	MATERIAL THICKNESS mm	P/N REEL	M.O.Q.	P/N REEL	M.O.Q.
1	PLUG TERMINAL WITH CLIP	7	6,2	St AISI 430	0,5			1400860	2000
2	PLUG TERMINAL WITH CLIP	7	6,2	St AISI 430	0,5			1400865	2000
3	PLUG TERMINAL WITH CLIP	7	6,2	St AISI 430	0,5			1400850	2000
4	PLUG TERMINAL 90° WITH CLIP	7	6,2	St AISI 430	0,5			1400862	1000
5	COIL - DISTRIBUTOR TERMINAL 90°	7	8,3	CuZn 67	0,5	1200880	100	1400880	1250

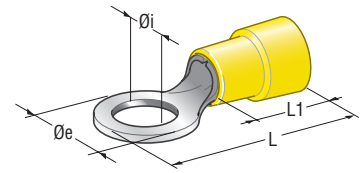
# RING



1



2

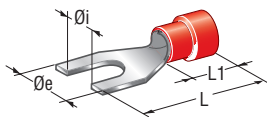


3

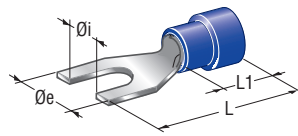
IMG	DESCRIPTION	WIRE SECTION mm <sup>2</sup>	$\varnothing i$ mm	$\varnothing e$ mm	L mm	L1 mm	MATERIAL	MATERIAL THICKNESS mm	P/N BOX	M.O.Q.	P/N BULK	M.O.Q.
1	RING	0,25-1÷1	3,2	5,5	18,0	10,5	Cu-Sn PA66	0,75	1853050	100	1853059	1000
		0,25-1÷1	3,7	5,5	18,0	10,5	Cu-Sn PA66	0,75	1853060	100	1853069	1000
		0,25-1÷1	4,3	6,6	20,1	10,5	Cu-Sn PA66	0,75	1853070	100	1853079	1000
		0,25-1÷1	5,3	8,0	21,5	10,5	Cu-Sn PA66	0,75	1853150	100	1853159	1000
		0,25-1÷1	6,4	11,6	27,4	10,5	Cu-Sn PA66	0,75	1853200	100	1853209	1000
2	RING	0,25-1÷1	8,4	11,6	27,4	10,5	Cu-Sn PA66	0,75	1853250	100		
		1÷2,5	4,3	8,5	23,0	11,0	Cu-Sn PA66	0,80	1857100	100	1857109	1000
		1÷2,5	5,3	8,5	23,0	11,0	Cu-Sn PA66	0,80	1857150	100	1857159	1000
		1÷2,5	6,4	12,0	28,0	11,0	Cu-Sn PA66	0,80	1857200	100	1857209	1000
		1÷2,5	8,4	12,0	28,0	11,0	Cu-Sn PA66	0,80	1857250	100	1857259	1000
3	RING	2,5÷6	4,3	7,2	23,5	14,0	Cu-Sn PA66	1	1863100	50	1863109	1000
		2,5÷6	5,3	9,5	27,0	14,0	Cu-Sn PA66	1	1863150	50	1863159	1000
		2,5÷6	6,4	12,0	30,5	14,0	Cu-Sn PA66	1	1863200	50	1863209	500
		2,5÷6	8,4	15,0	35,2	14,0	Cu-Sn PA66	1	1863250	50	1863259	500
		2,5÷6	10,4	15,0	35,2	14,0	Cu-Sn PA66	1	1863300	50	1863309	500



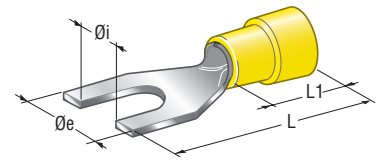
# FORK



1



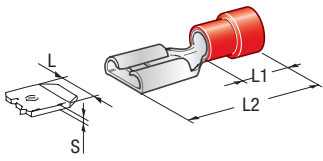
2



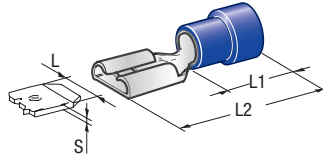
3

IMG	DESCRIPTION	WIRE SECTION mm <sup>2</sup>	Ø i mm	Ø e mm	L mm	L1 mm	MATERIAL	MATERIAL THICKNESS mm	P/N BOX	M.O.Q.	P/N BULK	M.O.Q.
1	FORK	0,25÷1	3,7	6,4	21,5	10,5	Cu-Sn PA66	0,75			1865069	1000
		0,25÷1	4,3	6,4	21,5	10,5	Cu-Sn PA66	0,75	1865100	100	1865109	1000
		0,25÷1	5,3	9,5	22,2	10,5	Cu-Sn PA66	0,75	1865200	100	1865209	1000
2	FORK	1÷2,5	4,3	6,4	22,7	11	Cu-Sn PA66	0,80	1866100	100	1866109	1000
		1÷2,5	5,3	9,5	22,7	11	Cu-Sn PA66	0,80	1866200	100		
		1÷2,5	6,4	12,0	28,4	11	Cu-Sn PA66	0,80	1866300	100	1866309	1000
3	FORK	2,5÷6	4,3	8,3	27,0	14	Cu-Sn PA66	1	1867000	50	1867009	1000
		2,5÷6	5,3	9,5	26,7	14	Cu-Sn PA66	1	1867100	50	1867109	1000
		2,5÷6	6,4	12,0	32,7	14	Cu-Sn PA66	1	1867200	50	1867209	1000

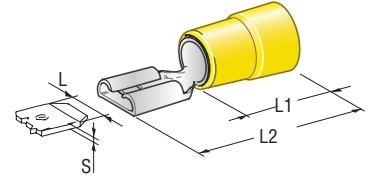
# PUSH ON



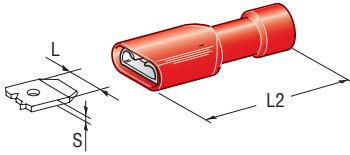
1



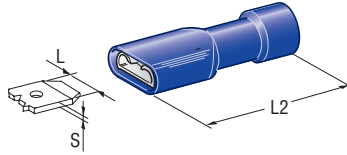
2



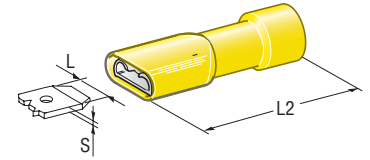
3



4



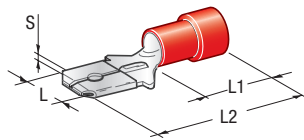
5



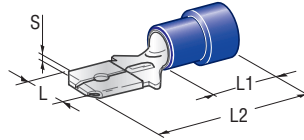
6

IMG		WIRE SECTION mm <sup>2</sup>	S mm	L mm	L1 mm	L2 mm	MATERIAL	MATERIAL THICKNESS mm	P/N BOX	M.O.Q.	P/N BULK	M.O.Q.
1	PUSH ON	0,25÷1	0,5	2,8	10,0	18,5	CuZn-Sn PVC	0,30	1850200	100	1850209	1000
		0,25÷1	0,8	2,8	10,0	18,5	CuZn-Sn PVC	0,30	1850400	100	1850409	1000
		0,25÷1	0,5	4,7	10,0	19,0	CuZn-Sn PVC	0,40	1850500	100	1850509	1000
		0,25÷1	0,8	4,7	10,0	19	CuZn-Sn PVC	0,40	1850300	100	1850309	1000
		0,25÷1	0,8	6,3	12,0	21	CuZn-Sn PVC	0,40	1851000	100	1851009	1000
2	PUSH ON	1÷2,5	0,5	2,8	10,0	19	CuZn-Sn PVC	0,30	1854200	100		
		1÷2,5	0,8	2,8	10,0	19	CuZn-Sn PVC	0,30	1854400	100	1854409	1000
		1÷2,5	0,5	4,7	10,0	19	CuZn-Sn PVC	0,40	1854500	100		
		1÷2,5	0,8	6,3	12,0	21,0	CuZn-Sn PVC	0,40	1855000	100	1855009	1000
3	PUSH ON	2,5÷6	0,8	6,3	13,0	22,4	CuZn-Sn PVC	0,40	1861000	50	1861009	500
		2,5÷6	1,1	9,5	14,0	30,0	CuZn-Sn PVC	0,40	1863000	50	1863009	500
4	PUSH ON	0,25÷1	0,5	4,7	-	21,5	CuZn-Sn PVC	0,40	1851400	100	1851409	1000
		0,25÷1	0,8	6,3	-	23,5	CuZn-Sn PVC	0,40	1851500	100	1851509	1000
5	PUSH ON	1÷2,5	0,5	4,7	-	21,5	CuZn-Sn PVC	0,40	1855400	100		
		1÷2,5	0,8	6,3	-	23,5	CuZn-Sn PVC	0,40	1855500	100	1855509	1000
6	PUSH ON	2,5÷6	0,8	6,3	-	24,0	CuZn-Sn PVC	0,40	1860500	50	1860509	500

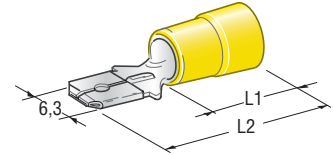
# PUSH ON



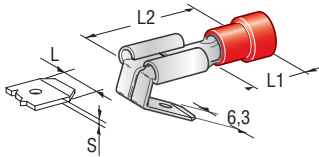
1



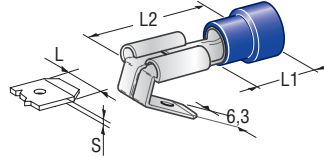
2



3



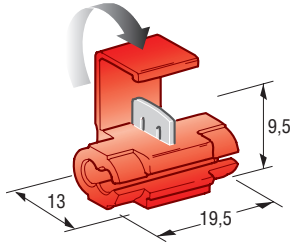
4



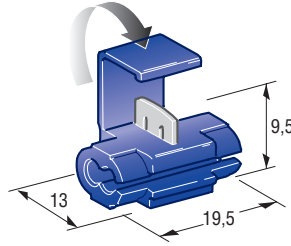
5

IMG		WIRE SECTION mm <sup>2</sup>	S mm	L mm	L1 mm	L2 mm	MATERIAL	MATERIAL THICKNESS mm	P/N BOX	M.O.Q.	P/N BULK	M.O.Q.
1	PUSH ON	0,25÷1	-	2,8	10	17,0	CuZn-Sn PVC	0,80	1850450	100	1850459	1000
		0,25÷1	-	6,3	12	21,0	CuZn-Sn PVC	0,80	1852000	100	1852009	1000
2	PUSH ON	1÷2,5	-	4,7	10	19,5	CuZn-Sn PVC	0,50	1854550	100	1854559	1000
		1÷2,5	-	6,3	12	21,0	CuZn-Sn PVC	0,80	1856000	100	1856009	1000
3	PUSH ON	2,5÷6	-	6,3	13	22,5	CuZn-Sn PVC	0,80	1862000	100	1862009	500
4	PIGGY BACK	0,25÷1	0,8	6,3	10	20,8	CuZn-Sn PVC	0,40	1852500	50	1852509	1000
5	PIGGY BACK	1÷2,5	0,8	6,3	10	20,8	CuZn-Sn PVC	0,40	1862500	50	1862509	1000

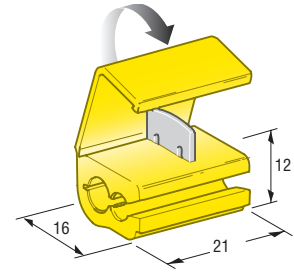
# SELF STRIPPING



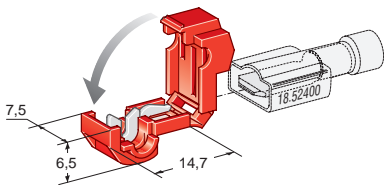
1



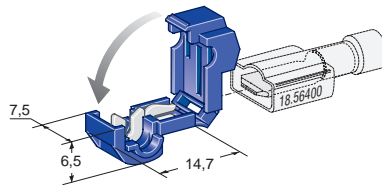
2



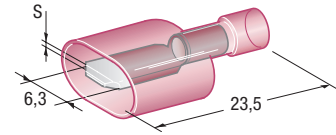
3



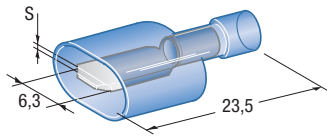
4



5



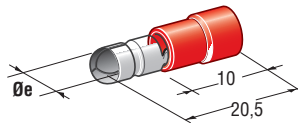
6



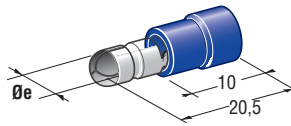
7

IMG	DESCRIPTION	WIRE SECTION mm <sup>2</sup>	MATERIAL	MATERIAL THICKNESS mm	P/N BOX	M.O.Q.	P/N BULK	M.O.Q.
1	SELF-STRIPPING	0,25÷1	CuZn-Sn PP	-	4410090	100	4510090	10000
2	SELF-STRIPPING	1÷2,5	CuZn-Sn PP	-	4410091	100	4510091	10000
3	SELF-STRIPPING	2,5÷6	CuZn-Sn PP	-	4410092	50	4510092	5000
4	T-CONNECTIONS	0,25÷1	CuZn-Sn PA66 V094	-	4410096	50	4510096	1000
5	T-CONNECTIONS	1÷2,5	CuZn-Sn PA66 V094	-	4410097	100		
6	M630	0,25÷1	CuZn-Sn PVC	0,80	1852400	50	1852409	1000
7	M630	1÷2,5	CuZn-Sn PVC	0,80	1856400	50	1856409	1000

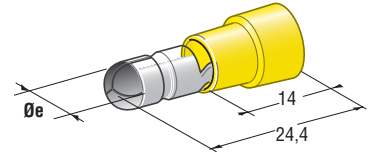
# BULLET



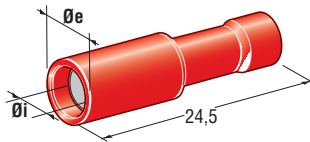
1



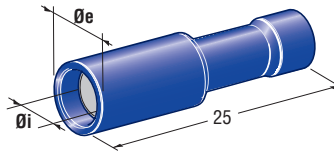
2



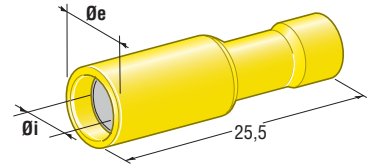
3



4



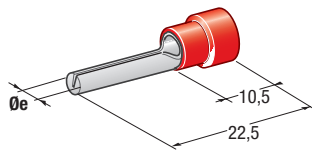
5



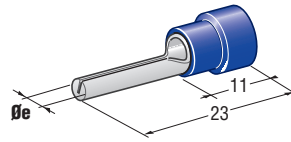
6

IMG	DESCRIPTION	WIRE SECTION mm <sup>2</sup>	$\varnothing i$ mm	$\varnothing e$ mm	MATERIAL	MATERIAL THICKNESS mm	P/N BOX	M.O.Q.	P/N BULK	M.O.Q.
1	MALE BULLET	0,25÷1	-	4,0	CuZn-Sn PVC	0,40	1864000	100	1864009	1000
2	MALE BULLET	1÷2,5	-	4,0	CuZn-Sn PVC	0,40	1864300	100	1864309	1000
		1÷2,5	-	5,0	CuZn-Sn PVC	0,40	1864500	100	1864509	1000
3	MALE BULLET	2,5÷6	-	5,0	CuZn-Sn PVC	0,40	1864700	100		
4	FEMALE BULLET	0,25÷1	3,86	6,3	CuZn-Sn PVC	0,40	1864100	100	1864109	1000
5	FEMALE BULLET	1÷2,5	3,86	6,3	CuZn-Sn PVC	0,40	1864400	100	1864409	1000
		1÷2,5	4,85	7,0	CuZn-Sn PVC	0,40	1864600	50	1864609	1000
6	FEMALE BULLET	2,5÷6	4,85	7,0	CuZn-Sn PVC	0,40	1864800	50		

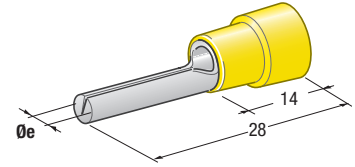
# PIN & BUTT



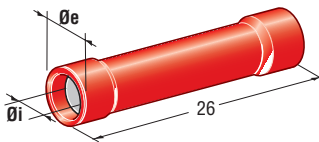
1



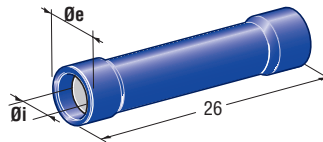
2



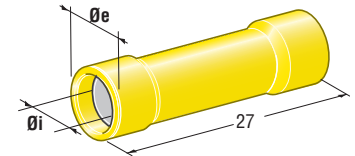
3



4



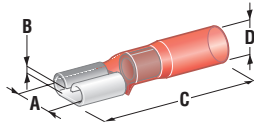
5



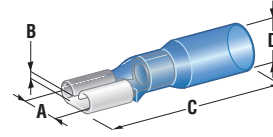
6

IMG	DESCRIPTION	WIRE SECTION mm <sup>2</sup>	$\varnothing i$ mm	$\varnothing e$ mm	MATERIAL	MATERIAL THICKNESS mm	P/N BOX	M.O.Q.	P/N BULK	M.O.Q.
1	PIN	0,25÷1	-	1,9	CuZn-Sn PA66	0,75	1869000	100	1869009	1000
2	PIN	1÷2,5	-	1,9	CuZn-Sn PA66	0,80	1869100	100	1869109	3000
3	PIN	2,5÷6	-	2,7	CuZn-Sn PA66	1	1869200	100		
4	BUTT	0,25÷1	1,70	4,0	CuZn-Sn PVC	0,40	1868000	100	1868009	1000
5	BUTT	1÷2,5	2,30	4,6	CuZn-Sn PVC	0,40	1868100	100	1868109	1000
6	BUTT	2,5÷6	3,40	6,4	CuZn-Sn PVC	0,40	1868200	50	1868209	500

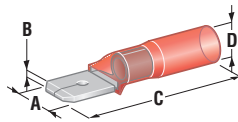
# HEAT SHRINK



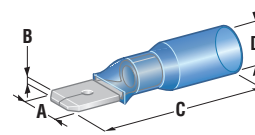
1



2



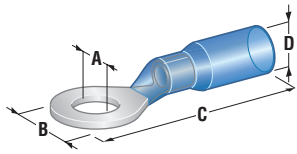
3



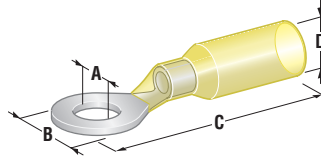
4

IMG	DESCRIPTION	WIRE SECTION mm <sup>2</sup>	A mm	B mm	C mm	D mm	MATERIAL	MATERIAL THICKNESS mm	P/N BOX	M.O.Q.
1	HEAT SHRINK WP F630	0,25÷1	6,35	0,8	27	4,2	CuZn-Sn PE	0,40	1880300	100
2	HEAT SHRINK WP F630	1,25÷2,5	6,35	0,8	28	4,9	CuZn-Sn PE	0,40	1880310	100
3	HEAT SHRINK WP M630	0,75÷1,25	6,35	0,8	27	4,2	CuZn-Sn PE	-	1880280	100
4	HEAT SHRINK WP M630	1,25÷2,5	6,35	0,8	28	4,9	CuZn-Sn PE	-	1880290	100

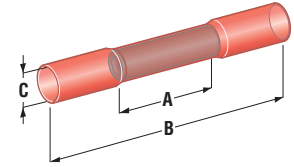
# HEAT SHRINK



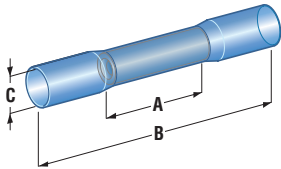
1



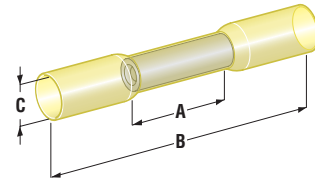
2



3



4

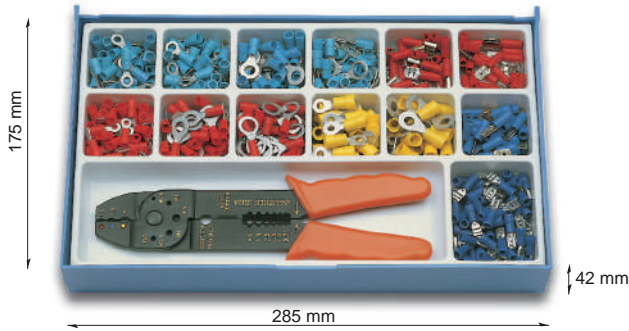


5

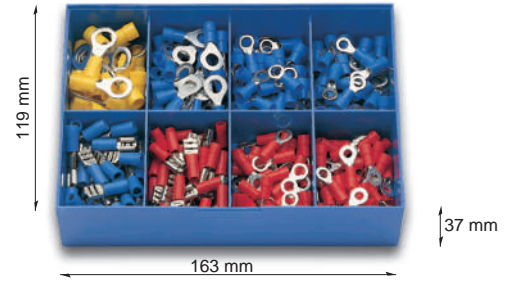
IMG	DESCRIPTION	WIRE SECTION mm <sup>2</sup>	A mm	B mm	C mm	D mm	MATERIAL	MATERIAL THICKNESS mm	P/N BOX	M.O.Q.
1	RING	1,25÷2,50	4,30	8,5	28	4,9	Cu-Sn PE	0,8	1880060	100
		1,25÷2,50	5,30	9,5	29	4,9	Cu-Sn PE	0,8	1880070	100
		1,25÷2,50	6,40	12,0	33	4,9	Cu-Sn PE	0,8	1880080	100
		1,25÷2,50	8,40	12,0	34	4,9	Cu-Sn PE	0,8	1880090	100
		1,25÷2,50	10,50	15,0	37	4,9	Cu-Sn PE	0,8	1880100	100
2	RING	2,5÷6	5,30	9,5	34	6,4	Cu-Sn PE	1,0	1880120	50
		2,5÷6	6,40	12,0	37	6,4	Cu-Sn PE	1,0	1880130	50
		2,5÷6	8,40	15,0	43	6,4	Cu-Sn PE	1,0	1880140	50
		2,5÷6	10,50	15,0	43	6,4	Cu-Sn PE	1,0	1880150	50
3	BUTT	0,75÷1,25	15,00	37,0	4,2	-	Cu-Sn PE	0,8	1880230	100
4	BUTT	1,25÷2,50	15,00	37,0	4,9	-	Cu-Sn PE	0,8	1880240	100
5	BUTT	2,5÷6	15,00	41,0	6,4	-	Cu-Sn PE	0,8	1880250	50



# KITS



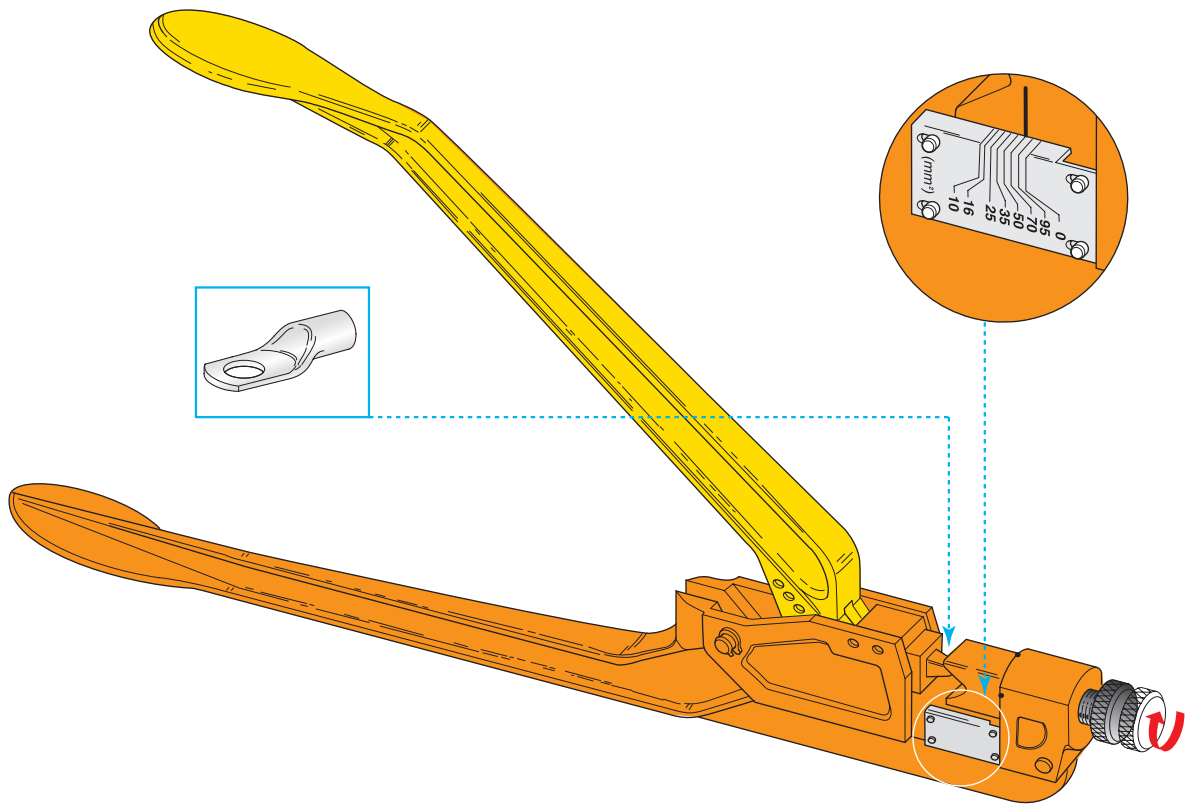
1



2

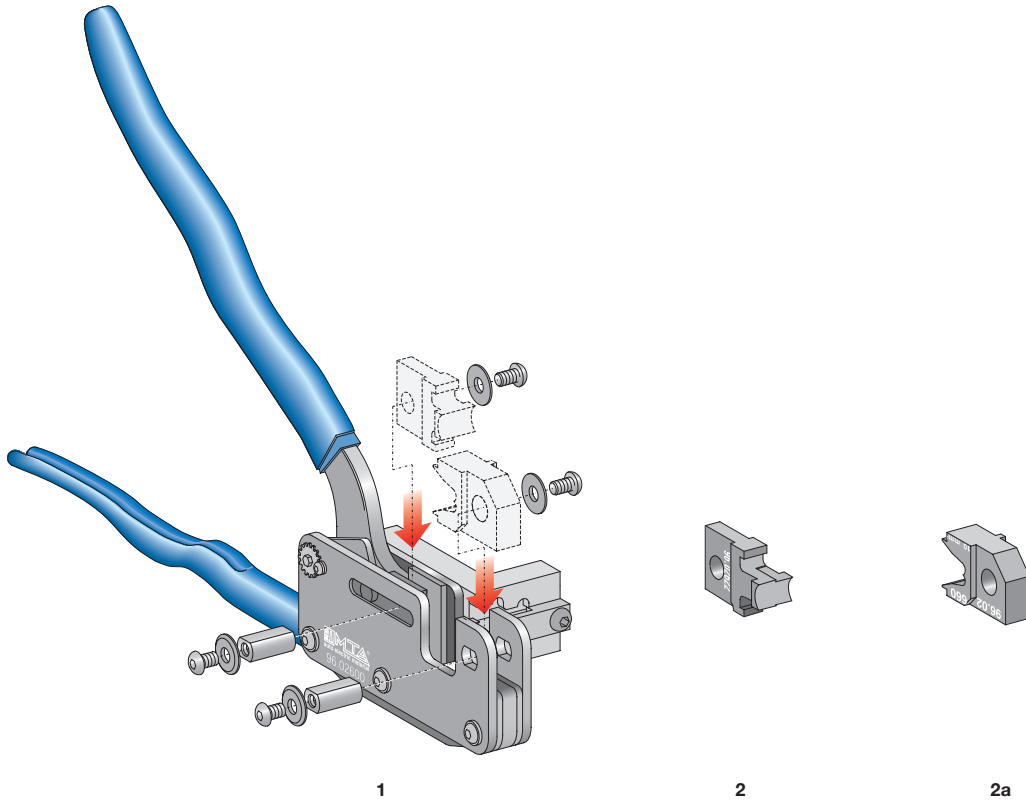
IMG	DESCRIPTION	PCS	COLOUR		P/N BOX	M.O.Q.
1	RING TERMINAL $\varnothing$ 4,3	50	Red		1860000	1
	RING TERMINAL $\varnothing$ 5,3	50	Red			
	RING TERMINAL $\varnothing$ 6,4	40	Red			
	RING TERMINAL $\varnothing$ 4,3	50	Blue			
	RING TERMINAL $\varnothing$ 5,3	40	Blue			
	RING TERMINAL $\varnothing$ 6,4	40	Blue			
	RING TERMINAL $\varnothing$ 8,4	30	Blue			
	RING TERMINAL $\varnothing$ 6,4	20	Yellow			
	RING TERMINAL $\varnothing$ 8,4	20	Yellow			
	MALE TERMINAL 6,3	40	Red			
	MALE TERMINAL 6,3	40	Blue			
	FEMALE TERMINAL 6,3	40	Red			
	FEMALE TERMINAL 6,3	70	Blue			
	CRIMPING TOOL 9602460	1				
2	RING TERMINAL $\varnothing$ 4,3	40	Red		1606855	1
	RING TERMINAL $\varnothing$ 5,3	40	Red			
	RING TERMINAL $\varnothing$ 4,3	40	Blue			
	RING TERMINAL $\varnothing$ 5,3	40	Blue			
	RING TERMINAL $\varnothing$ 6,4	40	Blue			
	RING TERMINAL $\varnothing$ 8,4	25	Yellow			
	FEMALE TERMINAL 6,3	40	Red			
	FEMALE TERMINAL 6,3	40	Blue			

# TUBULAR TERMINALS



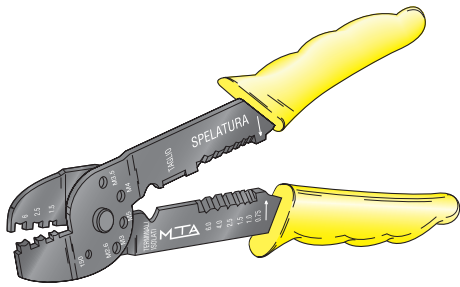
DESCRIPTION	WIRE SECTION mm <sup>2</sup>	LENGTH mm	WEIGHT g	P/N BOX	M.O.Q.
TOOL FOR TUBULAR TERMINALS	10÷95	565÷585	2916	9602490	1

# POWER TERMINALS

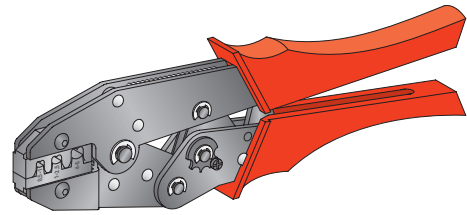


IMG	DESCRIPTION	WIRE SECTION mm <sup>2</sup>	LENGTH mm	WEIGHT g	P/N BOX	M.O.Q.
1	TOOL FOR POWER TERMINALS		345	1085,00	9602610	1
2	ANVIL FOR 1107675 + 1107700	4			9602622	1
2a	PUNCH FOR 1107675 + 1107700	4			9602660	1
2	ANVIL FOR 1107685 + 1107710	6÷8			9602621	1
2a	PUNCH FOR 1107685 + 1107710	6÷8			9602670	1
2	ANVIL FOR 1107690+1107720	10			9602621	1
2a	PUNCH FOR 1107690+1107720	10			9602690	1
2	ANVIL FOR 1107690+1107720	16			9602621	1
2a	PUNCH FOR 1107690+1107720	16			9602691	1
2	ANVIL FOR 1107660	4			9602620	1
2a	PUNCH FOR 1107660	4			9602660	1
2	ANVIL FOR 1107660	6			9602620	1
2a	PUNCH FOR 1107660	6			9602661	1
2	ANVIL FOR 1107670	8÷10			9602621	1
2a	PUNCH FOR 1107670	8÷10			9602670	1
2	ANVIL FOR 1107671	16			9602621	1
2a	PUNCH FOR 1107671	16			9602671	1

# TERMINALS



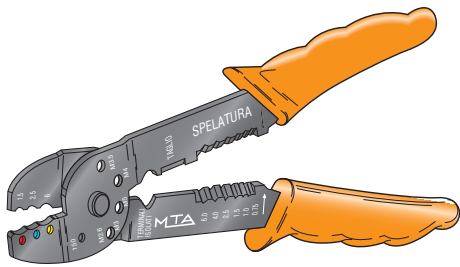
1



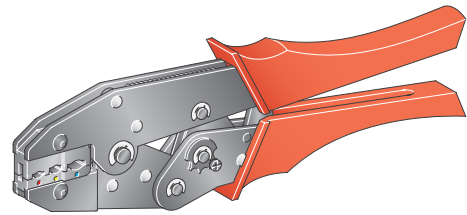
2

IMG	DESCRIPTION	WIRE SECTION mm <sup>2</sup>	LENGTH mm	M.O.Q.
1	CRIMPING TOOL	1,5÷6	9602450	1
2	CRIMPING TOOL - PROFESSIONAL TYPE	0,5÷6	9602455	1

# INSULATED TERMINALS



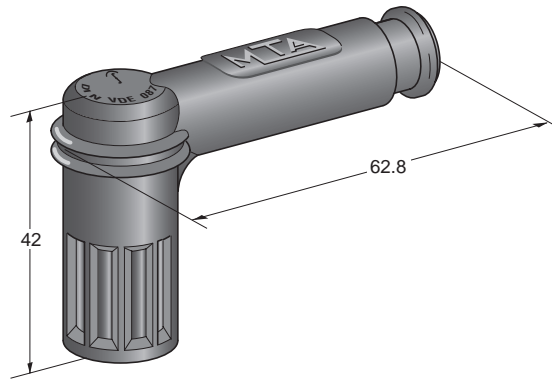
1



2

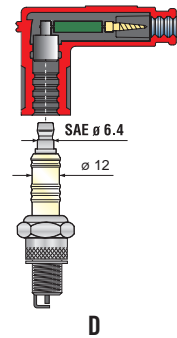
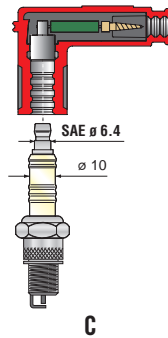
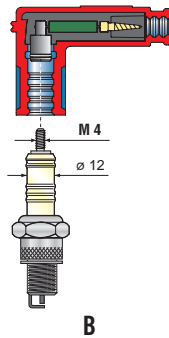
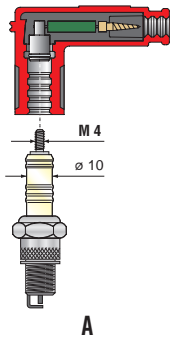
IMG	DESCRIPTION	WIRE SECTION mm <sup>2</sup>	LENGTH mm	M.O.Q.
1	CRIMPING TOOL	0,25÷6	9602460	1
2	CRIMPING TOOL - PROFESSIONAL TYPE	0,25÷6	9602500	1

# SPARK PLUGS

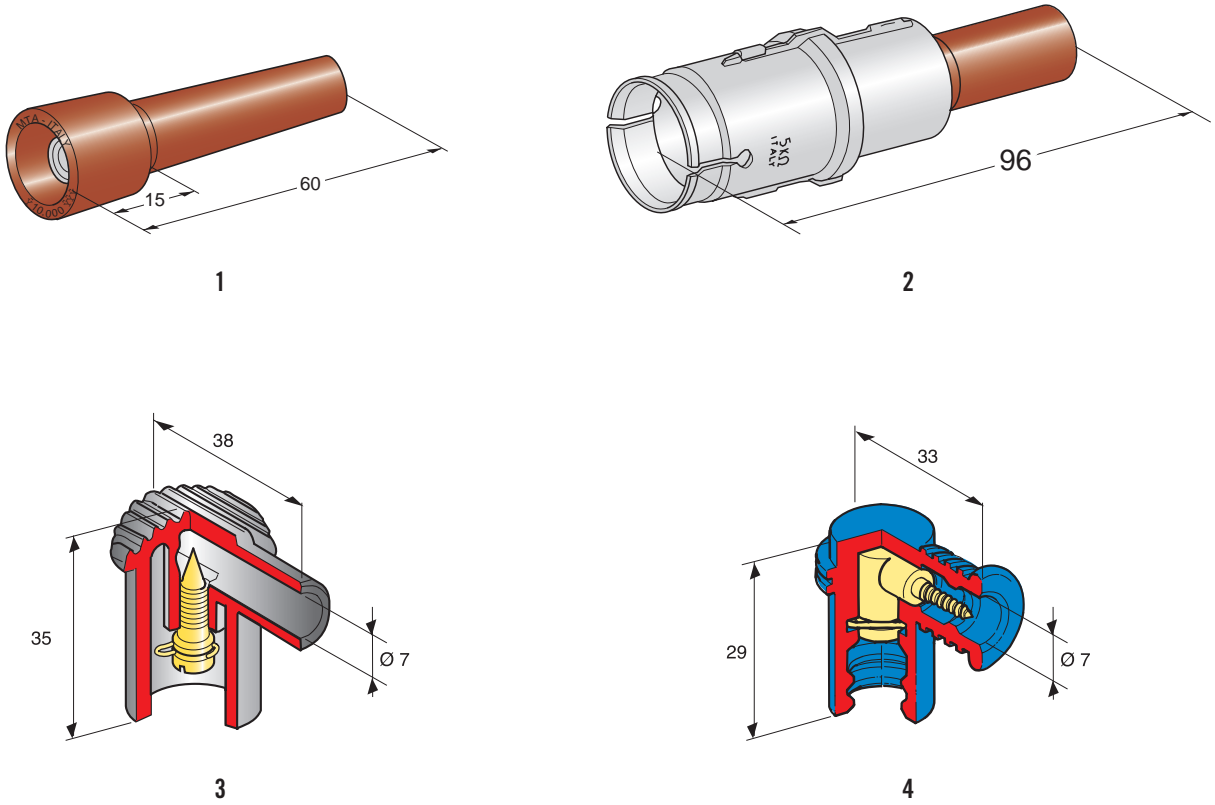


1

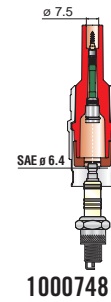
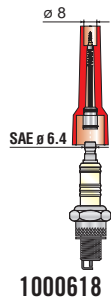
IMG	DESCRIPTION	SPARK PLUG	RESISTANCE ÷	MATERIAL	COLOUR	P/N BOX	M.O.Q.	P/N BULK	M.O.Q.
1	SPARK PLUG	A	5000	EPDM	Black	1000900	5	1900900	500
	SPARK PLUG	B	5000	EPDM	Blue	1000910	5	1900910	500
	SPARK PLUG	C	5000	EPDM	Black			1900920	500
	SPARK PLUG	D	5000	EPDM	Black	1000930	5	1900930	500
	SPARK PLUG	D	5000	EPDM	Red			1900940	500



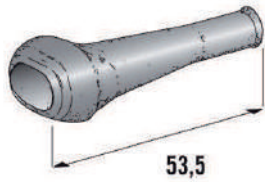
# SPARK PLUGS



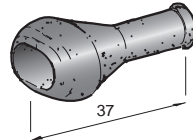
IMG	DESCRIPTION	MATERIAL	RESISTANCE ÷	CABLE mm	P/N BOX	M.O.Q.
1	SUPPRESSOR WITH WIRE WOUND RESISTOR	PBT GF20	5000	-	1000618	50
2	SUPPRESSOR WITH WIRE WOUND RESISTOR	PBT GF30 V0	10000	-	1000748	10
3	SPARK PLUG WITH CARBON RESISTOR	PVC CuZn	-	7	1200580	50
4	SPARK PLUG WITH CARBON RESISTOR	EPDM CuZn	-	7	1200590	50
	SPARK PLUG WITH WIRE WOUND RESISTOR	EPDM CuZn	-	7	1900590	1000



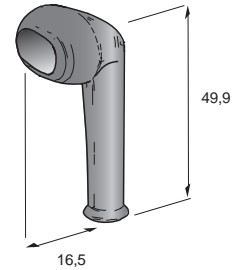
## CAPS



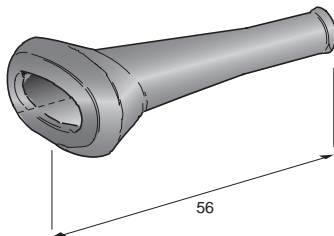
1



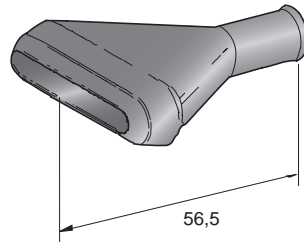
2



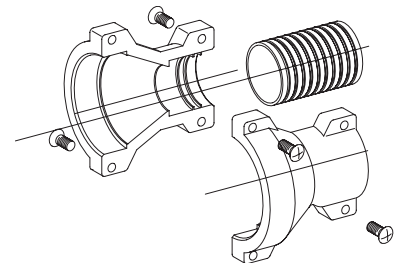
3



4



5

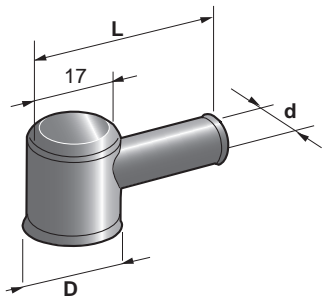


6

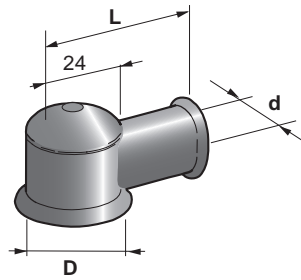
IMG	DESCRIPTION	WAY	∅ mm	MATERIAL	COLOUR	P/N BOX	M.O.Q.	P/N BULK	M.O.Q.
1	CAP FOR CONNECTOR JT	2		Rubber	■ Black	4420901	10	4520901	500
2	CAP FOR CONNECTOR JT	2		Rubber	■ Black	4420902	10	4520902	500
3	CAP FOR CONNECTOR JPT	2		Rubber	■ Black	4420911	10	4520911	500
4	CAP FOR CONNECTOR JPT	3		Rubber	■ Black	4420921	10	4520921	500
5	CAP FOR CONNECTOR JT	7		Rubber	■ Black	4420931	5	4520931	500
6	ADAPTOR FOR CONNECTORS		44,6	PA66	■ Black			4551575	500



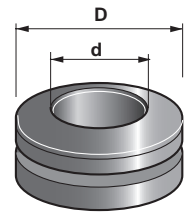
## CAPS



1



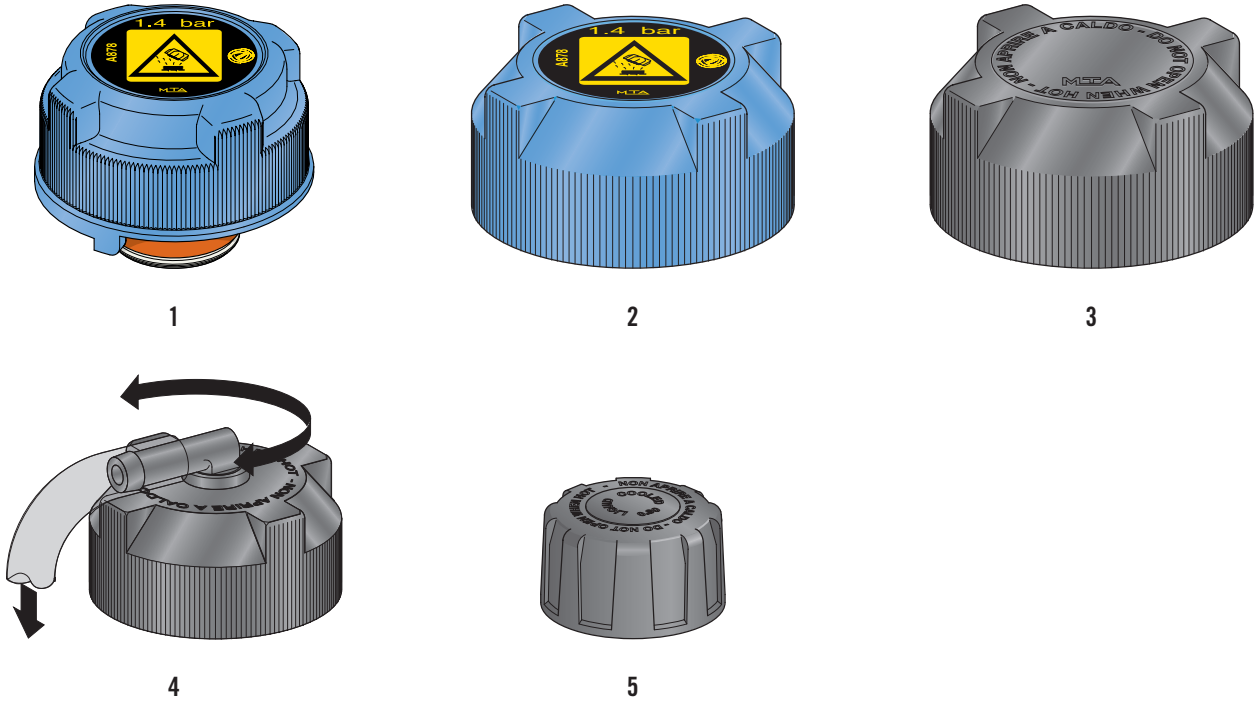
2



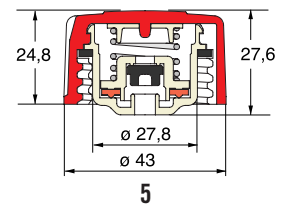
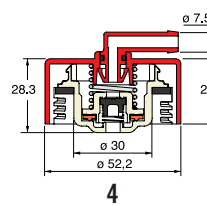
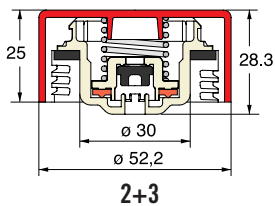
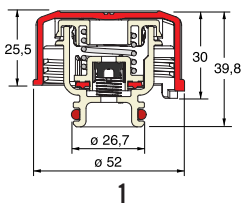
3

IMG	DESCRIPTION	L	d	D	MATERIAL	COLOUR	P/N BOX	M.O.Q.	P/N BULK	M.O.Q.
1	CAP	37	6	11	PVC	■ Black			4410300	100
	CAP	41	7,5	15	PVC	■ Black			4410310	100
	CAP	61	9	16	PVC	■ Black			4410320	100
2	ALTERNATOR CAP	48	11	21	CR60	■ Black	4410400	10	4510400	500
3	FAIRLEAD		9	16,5	PVC	■ Black			4410360	250

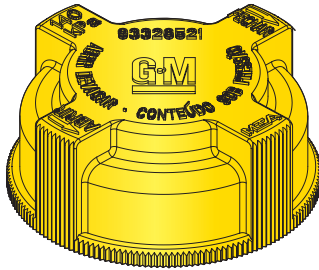
# RADIATOR



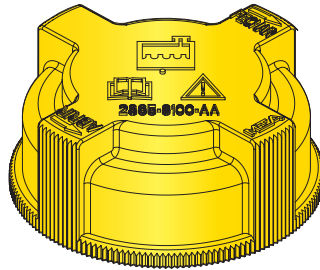
IMG	DESCRIPTION	PRESSION BAR	DEPRESSION BAR	MATERIAL	COLOUR	P/N BOX	M.O.Q.	P/N BULK	M.O.Q.
1	RADIATOR CAP	1	0,04 - 0,10	PP GF30	Blue			5056005	500
	RADIATOR CAP	1,4	0,04 - 0,10	PP GF30	Blue	5014877	1	5056000	500
2	RADIATOR CAP	1	0,04 - 0,10	PP GF30	Black	5014862	1	5050123	200
	RADIATOR CAP	1,4	0,04 - 0,10	PP GF30	Blue	5014873	1	5050103	200
3	RADIATOR CAP	1	0,04 - 0,10	PP GF30	Black	5014861	1	5114861	200
	RADIATOR CAP	1,2	0,04 - 0,10	PP GF30	Black			5050124	200
4	RADIATOR CAP	0,5	0,04 - 0,10	PP GF30	Black	5014900	1	5050090	200
	RADIATOR CAP	1	0,04 - 0,10	PP GF30	Black	5014901	1	5114901	200
	RADIATOR CAP	1,4	0,04 - 0,10	PP GF30	Blue			5050108	200
5	RADIATOR CAP	0,9	0,04 - 0,10	PP GF30	Black			5050097	270
	RADIATOR CAP	1,1	0,04 - 0,10	PP GF30	Black			5050121	270



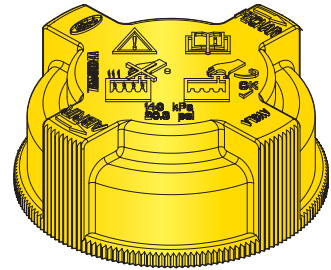
# RADIATOR



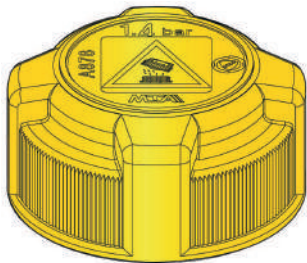
1



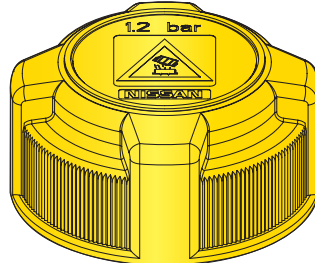
2



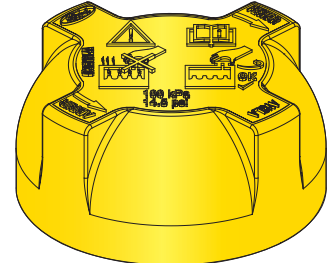
3



4



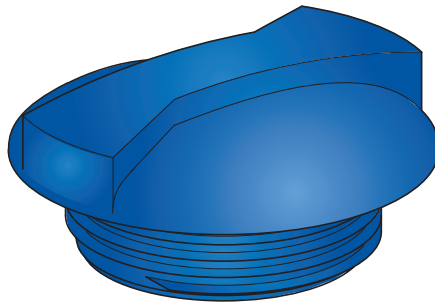
5



6

IMG	DESCRIPTION	PRESSION BAR	DEPRESSION BAR	MATERIAL	COLOUR	P/N	M.O.Q.
1	RADIATOR CAP GM	1,4	0,15 Max	PP GF30	Yellow	5050140	500
2	RADIATOR CAP FORD	1,4	0,04 - 0,10	PP GF30	Yellow	5050143	500
3	RADIATOR CAP FORD	1,4	0,04 - 0,10	PP GF30	Yellow	5050147	500
4	RADIATOR CAP FIAT	1,0	0,04 - 0,10	PP GF30	Yellow	5050126	500
	RADIATOR CAP FIAT	1,4	0,04 - 0,10	PP GF30	Yellow	5050127	500
5	RADIATOR CAP NISSAN	1,2	0,04 - 0,10	PP GF30	Yellow	5050227	500
6	RADIATOR CAP FORD TRUCK	1,0	0,15 Max	PP GF30	Yellow	5050136	500

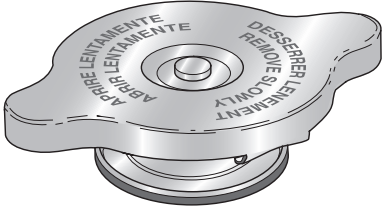
# RADIATOR



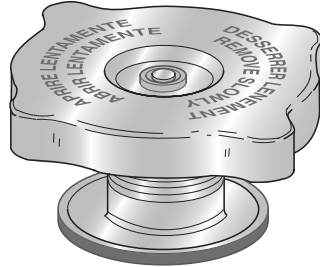
1

IMG	DESCRIPTION	PRESSION BAR	MATERIAL	COLOUR	P/N	M.O.Q.
1	RADIATOR CAP VOLKSWAGEN - SEAT	1,4	PP GF30	Blue	5014868	1

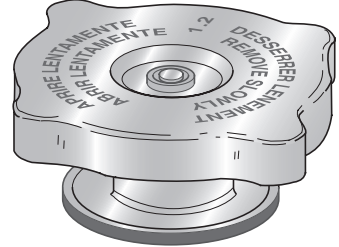
# RADIATOR



1



2



3

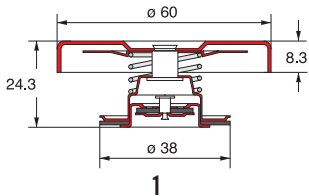


4

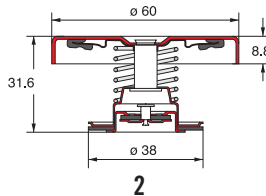


5

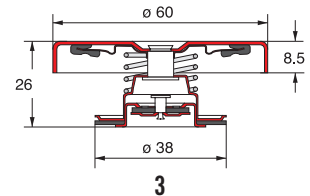
IMG	DESCRIPTION	PRESSON BAR	DEPRESSION BAR	MATERIAL	P/N	M.O.Q.
1	RADIATOR CAP	0,35	0,01+0,04	COMPONENTS AND SPRING INOX STEEL	5014490	10
2	SEALED RADIATOR CAP	0,7	0,01+0,03	COMPONENTS AND SPRING INOX STEEL	5014750	10
3	SEALED RADIATOR CAP	0,35	0,01+0,04	COMPONENTS AND SPRING INOX STEEL	5014740	10
		1	0,01+0,03	COMPONENTS AND SPRING INOX STEEL	5014730	10
4	RADIATOR CAP	0,91	-	COMPONENTS AND SPRING INOX STEEL	5014810	1
5	RADIATOR CAP	1,12	-	COMPONENTS AND SPRING INOX STEEL	5014830	1



1

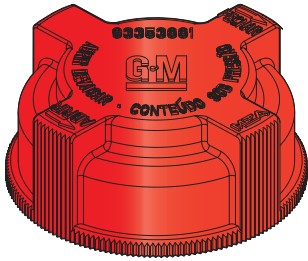


2

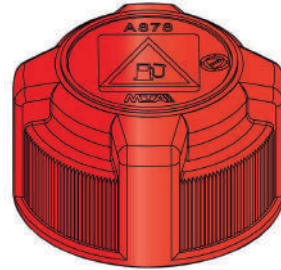


3

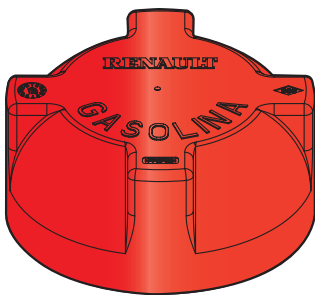
# GASOLINE



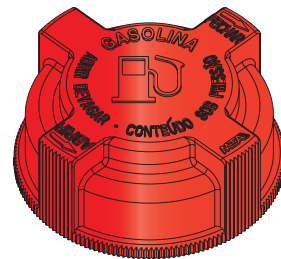
1



2



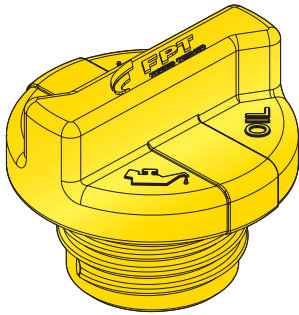
3



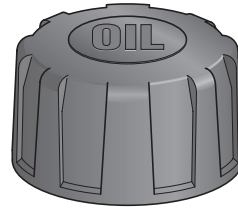
4

IMG	DESCRIPTION	PRESSION BAR	DEPRESSION BAR	MATERIAL	COLOUR	P/N	M.O.Q.
1	GASOLINE CAP GM	0,35	0,08 Max	PP GF30	Red	5050128	500
2	GASOLINE CAP FIAT	0,6	0,04 - 0,10	PP GF30	Red	5051108	500
3	GASOLINE CAP RENAULT	0,6	0,04 - 0,10	PP GF30	Red	5051137	500
4	GASOLINE CAP PSA	1,4	0,08 Max	PP GF30	Red	5050135	500

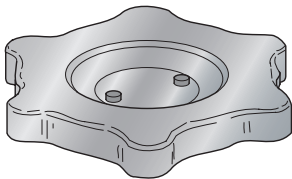
# OIL



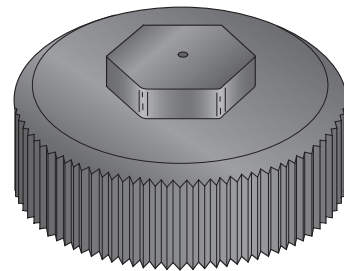
1



2



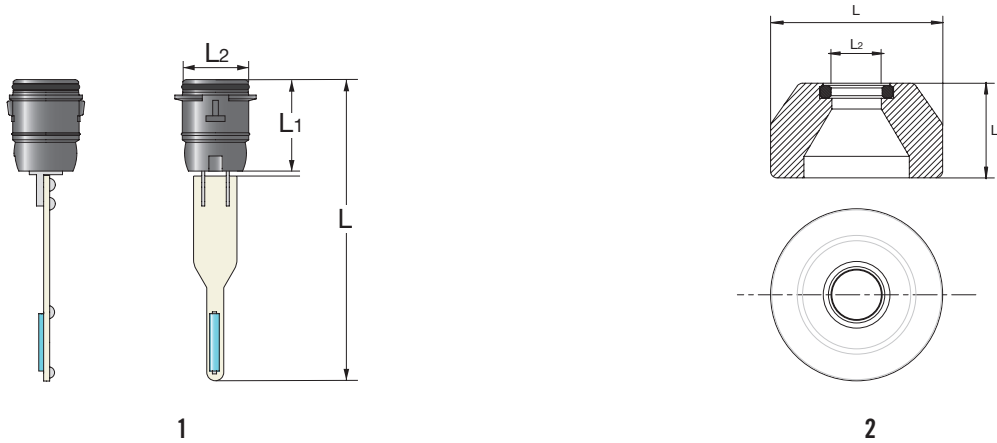
3



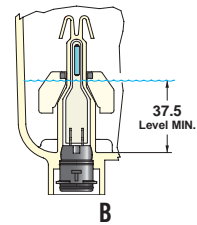
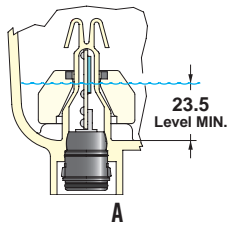
4

IMG	DESCRIPTION	MATERIAL	COLOUR	P/N	M.O.Q.
1	OIL CAP FIAT/FORD	PP GF30	Yellow	5050133	500
2	VENTED OIL CAP PIAGGIO	PP GF30		5050106	270
3	OIL SUMP CAP WITHOUT BREATHER PIPE FIAT UNIVERSAL	FE- Zn (T)	Black	5415400	10
4	DIESEL OIL TANK FOR TRUCKS	PP	Black	5515870	5

# LEVEL SENSORS

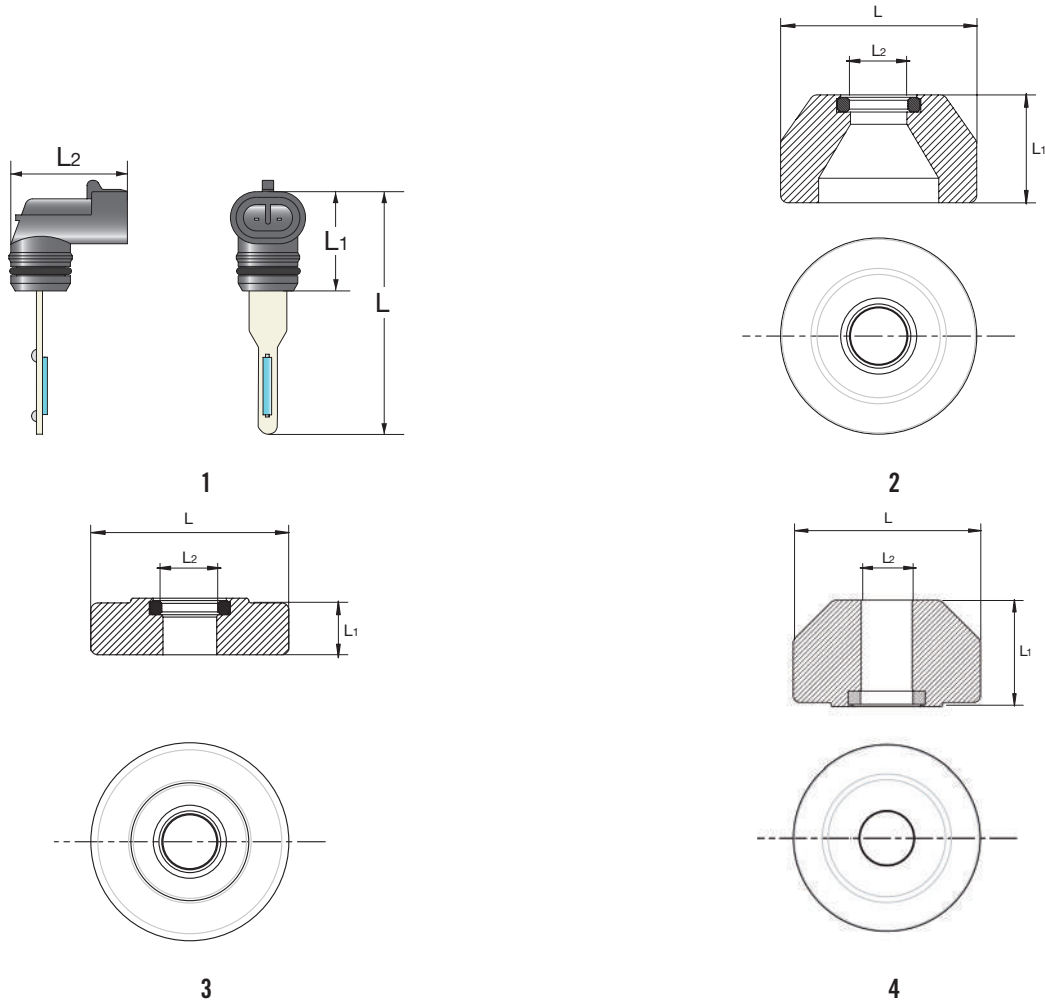


IMG	DESCRIPTION	TYPE	L mm	L1 mm	L2 mm	MATERIAL	P/N	M.O.Q.
1	LEVEL SENSOR	A	58,15	24,25	17,35	PA66	7050090	600
	LEVEL SENSOR	B	79,65	24,25	17,35	PA66	7050091	400
2	FLOAT	A-B	40	22	11,5	PP	7057091	1000

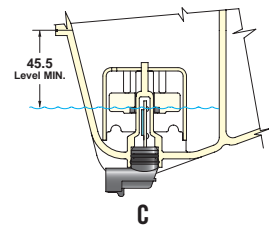
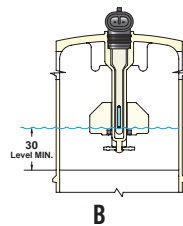
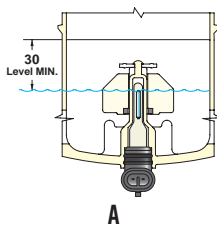




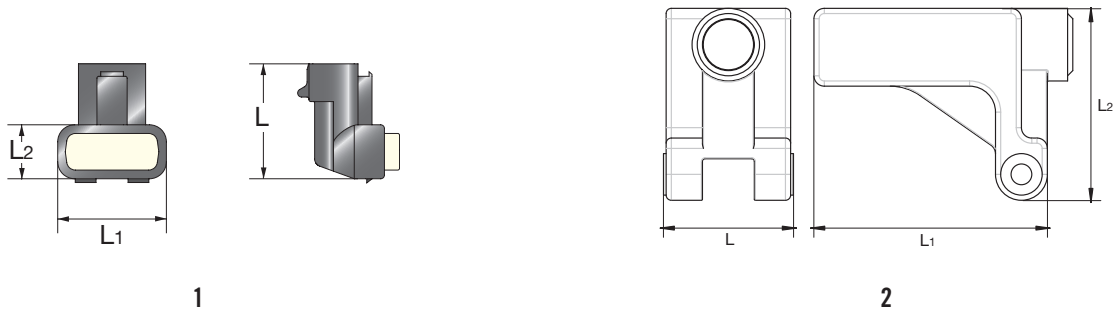
# LEVEL SENSORS



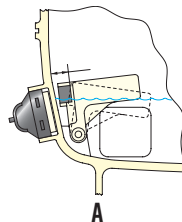
IMG	DESCRIPTION	TYPE	L mm	L1 mm	L2 mm	MATERIAL	P/N	M.O.Q.
1	LEVEL SENSOR	A	64,4	26,4	30,9	PA66	7050088	600
	LEVEL SENSOR	B	84,4	26,4	30,9	PA66	7050096	400
	LEVEL SENSOR	C	53,7	26,4	30,9	PA66	7050092	600
	LEVEL SENSOR	A	64,4	26,4	30,9	PA66	7050100	600
	LEVEL SENSOR	A	64,4	26,4	30,9	PA66	7050101	600
2	FLOAT		40	22	11,5	PP White	7057091	1000
3	FLOAT	A	42	11	11,4	PA Light Blue	7057093	1000
	FLOAT	C	42	11	11,4	PP White	7057092	1000
4	FLOAT	A-B	42	24	11,4	PP White	7057088	1000



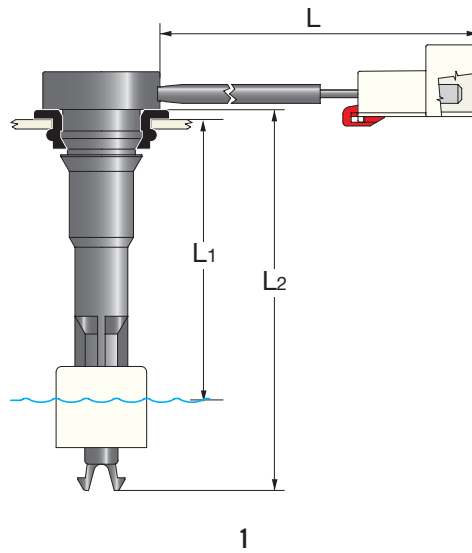
# LEVEL SENSORS



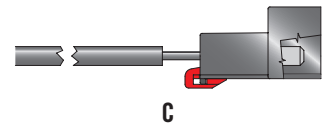
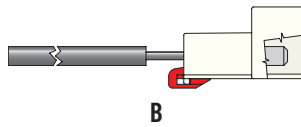
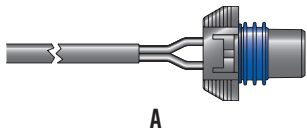
IMG	DESCRIPTION	TYPE	L mm	L1 mm	L2 mm	MATERIAL	P/N	M.O.Q.
1	LEVEL SENSOR	A	30,45	28,8	14,3	PA66	7050081	620
2	FLOAT	A	25	45	25	PP	7057081	1000



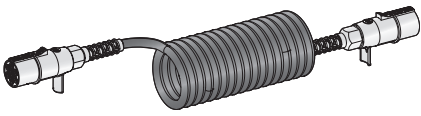
# LEVEL SENSORS



IMG	DESCRIPTION	TYPE	L mm	L1 mm.	L2 mm	MATERIAL	P/N	M.O.Q.
1	LEVEL SENSOR	C	~ 300	51÷56	80	PP	7050055	720
	LEVEL SENSOR	B	~ 200	82,5÷87,5	121	PP	7050072	240
	LEVEL SENSOR	C	~ 300	49÷54	75	PP	7050075	720
	LEVEL SENSOR	A	~ 215	82,5÷87,5	121	PP	7050082	240



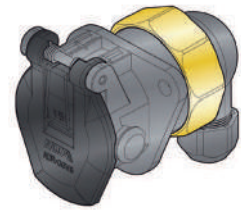
## SPIRAL CABLE WITH CONNECTORS



1



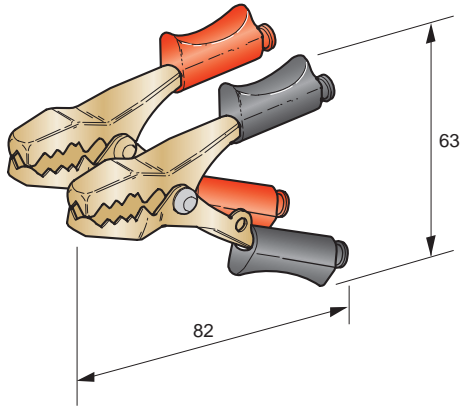
2



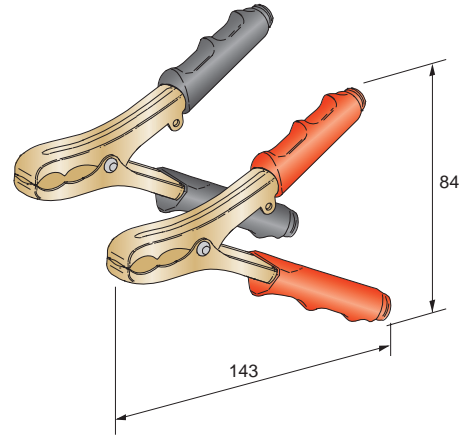
3

IMG	DESCRIPTION	PIN N.	SPIRAL COLOUR	MAX LENGTH mm	P/N BOX	M.O.Q.
1	SPIRAL CABLE VOLKSWAGEN	7	Black	4200	9815530	10
	SPIRAL CABLE FORD	7	Red	5500	9815540	10
2	SPIRAL CABLE FORD	15-7	Red	5500	9815550	10
	SPIRAL CABLE VOLKSWAGEN	15-7	Black	5500	9815561	TBD
	SPIRAL CABLE VOLVO	15-7	Black	5500	9815560	TBD
3	SOCKET FOR SPIRAL CABLE	15	-	-	2550087	50

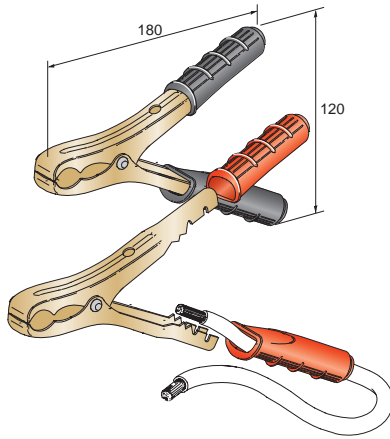
# CHARGING CLIPS



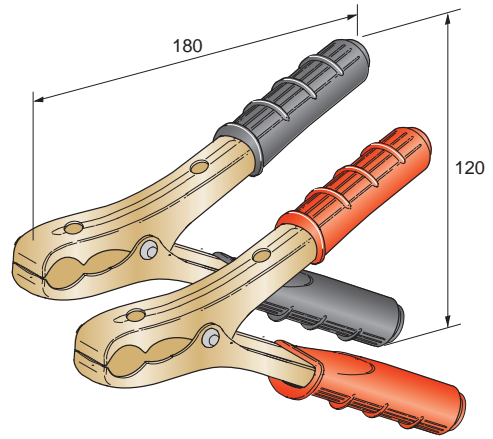
1



2



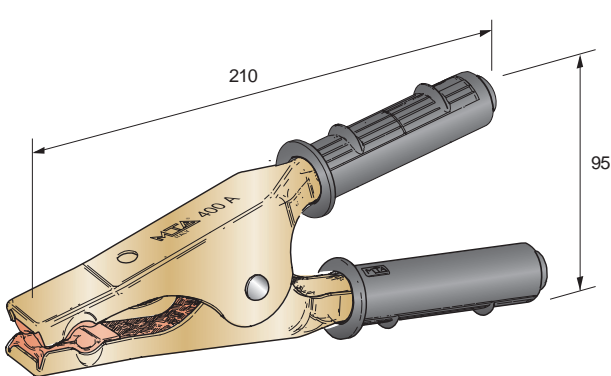
3



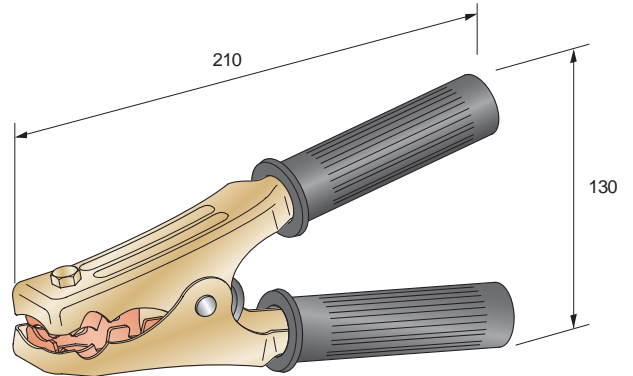
4

IMG	DESCRIPTION	AMP	COLOUR	WIRE SECTION mm <sup>2</sup>	P/N BOX	M.O.Q.	P/N BULK	M.O.Q.
1	CHARGING CLIP	40 A	■ ■ Red+Black	6÷10	4814220	20		
	CHARGING CLIP	40 A	■ Red	6÷10	4814221	20	4914221	300
	CHARGING CLIP	40 A	■ Black	6÷10	4814222	20	4914222	300
2	CHARGING CLIP	100 A	■ ■ Red+Black	10÷25	4814252	4		
	CHARGING CLIP	100 A	■ Red	10÷25	4814256	4	4914256	200
	CHARGING CLIP	100 A	■ Black	10÷25	4814257	4	4914257	200
3	CHARGING CLIP	120 A	■ ■ Red+Black	10÷35	4814251	4		
	CHARGING CLIP	120 A	■ Red	10÷35	4814258	4	4914258	100
	CHARGING CLIP	120 A	■ Black	10÷35	4814259	4	4914259	100
4	CHARGING CLIP	200 A	■ ■ Red+Black	10÷35	4814255	4		
	CHARGING CLIP	200 A	■ Red	10÷35	4814262	4	4914262	100
	CHARGING CLIP	200 A	■ Black	10÷35	4814264	4	4914264	100

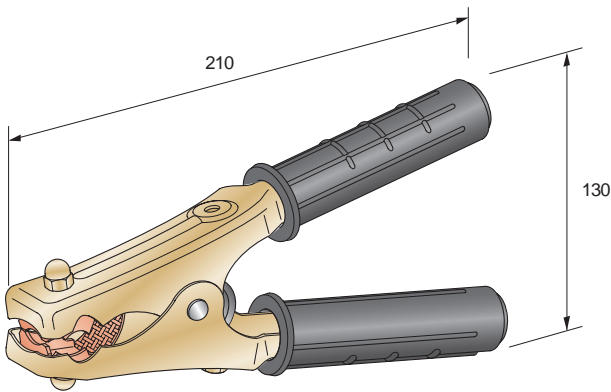
# CHARGING CLIPS



1

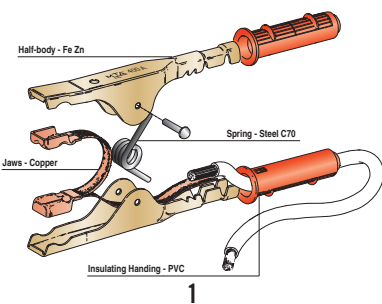


2

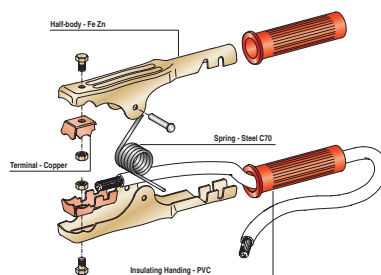


3

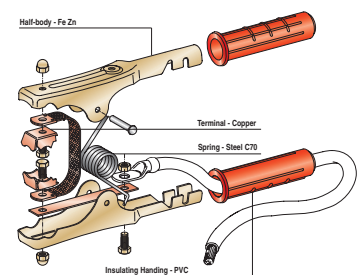
IMG	DESCRIPTION	AMP	COLOUR	WIRE SECTION mm2	P/N BOX	M.O.Q.	P/N BULK	M.O.Q.
1	CHARGING CLIPS	400 A	■ Red+Black	10÷30	4814250	4		
	CHARGING CLIPS	400 A	■ Red	10÷30	4814267	4	4914267	100
	CHARGING CLIPS	400 A	■ Black	10÷30	4814268	4	4914268	100
2	CHARGING CLIPS	500 A	■ Red+Black	35÷50	4814311	4		
	CHARGING CLIPS	500 A	■ Red	35÷50	4914312	25		
	CHARGING CLIPS	500 A	■ Black	35÷50	4914313	25		
3	CHARGING CLIPS	600 A	■ Red+Black	50	4814321	4		
	CHARGING CLIPS	600 A	■ Red	50	4914322	25		
	CHARGING CLIPS	600 A	■ Black	50	4914323	25		



1

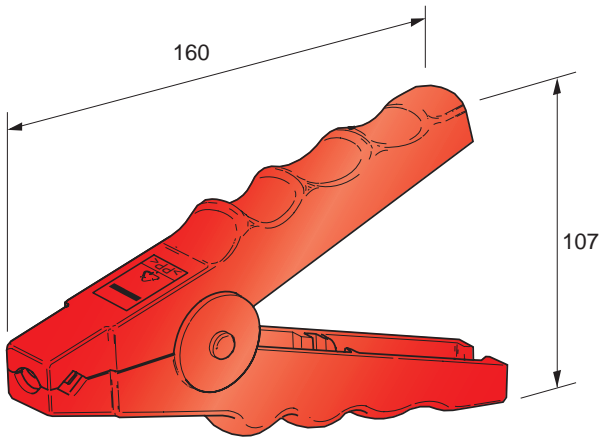


2

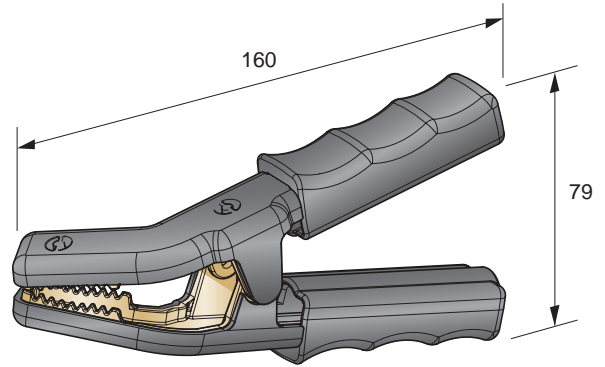


3

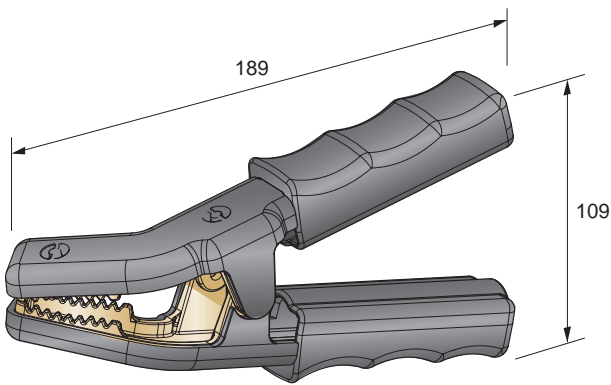
# CHARGING CLIPS



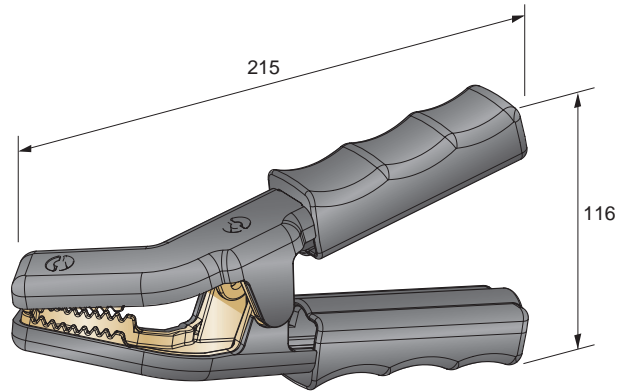
1



2

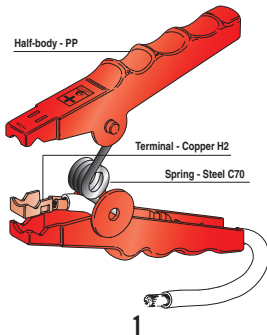


3

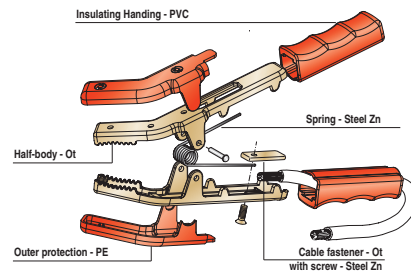


4

IMG	DESCRIPTION	AMP	COLOUR	WIRE SECTION mm2	P/N BOX	M.O.Q.	P/N BULK	M.O.Q.	
1	CHARGING CLIPS	300 A	■ Red+Black	10÷25	4814254	4			
	CHARGING CLIPS	300 A	■ Red	10÷25			4914265	200	
	CHARGING CLIPS	300 A	■ Black	10÷25			4914266	200	
2	CHARGING CLIPS	650 A	■ Red+Black	10÷35	4814330	4			
	3	CHARGING CLIPS	850 A	■ Red+Black	25÷70	4814331	4		
		CHARGING CLIPS	850 A	■ Red	25÷70	4914327	17		
4	CHARGING CLIPS	850 A	■ Black	25÷70	4914326	17			
	CHARGING CLIPS	1000 A	■ Red+Black	35÷70	4814332	4			



1



2+3+4

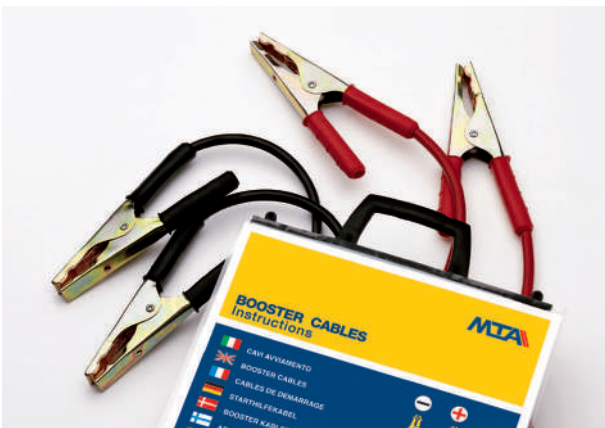
# BOOSTER CABLES



1



2



3



4

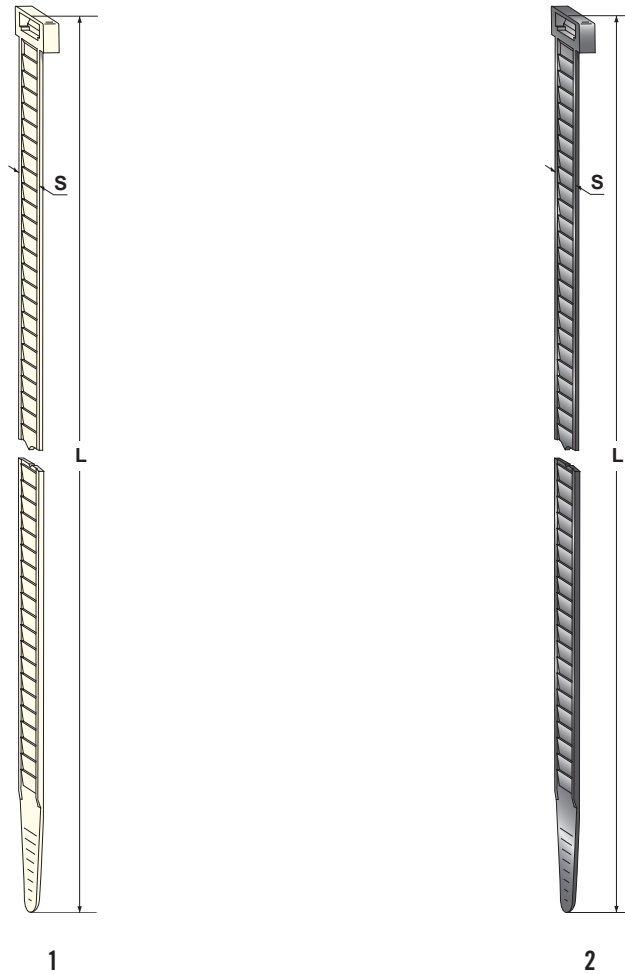
IMG	DESCRIPTION	MATERIAL	AMP	L mm	WIRE SECTION mm2	P/N BOX	M.O.Q.
1	BOOSTER CABLES	HI-FLEX	120 A	2500	10	4814261	1
		HI-FLEX	120 A	2500	16	4814271	1
		HI-FLEX	120 A	3500	16	4814272	1
		HI-FLEX	120 A	2500	25	4814281	1
		HI-FLEX	120 A	3500	25	4814282	1
2	BOOSTER CABLES	HI-FLEX	300 A	3000	16	4814341	1
		HI-FLEX	300 A	2500	25	4814350	1
		HI-FLEX	300 A	3500	25	4814351	1
3	BOOSTER CABLES	HI-FLEX	400 A	3500	25	4814290	1
		HI-FLEX	400 A	5000	25	4814291	1
4	BOOSTER CABLES	HI-FLEX	500 A	5000	35	4814295	1
		HI-FLEX	500 A	3500	50	4814373	1
		HI-FLEX	500 A	5000	50	4814375	1
	BOOSTER CABLES	HI-FLEX	600 A	5000	50	4814361	1

REUSABLE BAG WITH HANDLES

19 LANGUAGES INSTRUCTIONS

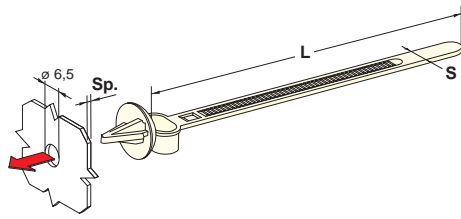


# SELF EXTINGUISHING CABLE TIES

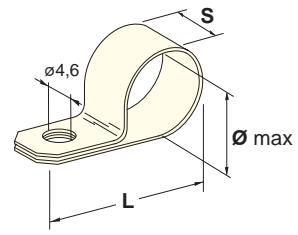


IMG.	DESCRIPTION	MATERIAL	OPERATION TEMP	L mm	S mm	Ø mm	Kg mm	P/N WHITE	M.O.Q.	P/N BLACK	M.O.Q.
1/2	SELF EXTINGUISHING CABLE TIE	PA66 V2 - UL94	-40°C +85°C	75	2,2	15	7			4621400	100
		PA66 V2 - UL94	-40°C +85°C	98	2,5	20	8	4621110	100	4621410	100
		PA66 V2 - UL94	-40°C +85°C	135	2,5	25	8	4621120	100	4621420	100
		PA66 V2 - UL94	-40°C +85°C	200	2,6	50	8	4621130	100	4621430	100
		PA66 V2 - UL94	-40°C +85°C	140	3,6	30	13	4621140	100	4621440	100
		PA66 V2 - UL94	-40°C +85°C	290	3,6	75	13	4621150	100	4621450	100
		PA66 V2 - UL94	-40°C +85°C	160	4,5	36	18			4621460	100
		PA66 V2 - UL94	-40°C +85°C	178	4,8	40	22	4621170	100	4621470	100
		PA66 V2 - UL94	-40°C +85°C	200	4,8	50	22	4621180	100	4621480	100
		PA66 V2 - UL94	-40°C +85°C	250	4,8	62	22	4621190	100	4621490	100
		PA66 V2 - UL94	-40°C +85°C	290	4,8	75	22	4621200	100	4621500	100
		PA66 V2 - UL94	-40°C +85°C	360	4,8	100	22	4621210	100	4621510	100
		PA66 V2 - UL94	-40°C +85°C	120	7,8	20	54			4621520	100
		PA66 V2 - UL94	-40°C +85°C	180	7,8	40	54			4621530	100
		PA66 V2 - UL94	-40°C +85°C	240	7,8	50	54	4621240	100	4621540	100
		PA66 V2 - UL94	-40°C +85°C	300	7,8	77	54			4621550	100
		PA66 V2 - UL94	-40°C +85°C	365	7,8	100	54	4621260	100	4621560	100
		PA66 V2 - UL94	-40°C +85°C	450	7,8	125	54	4621270	100	4621570	100
		PA66 V2 - UL94	-40°C +85°C	540	7,8	150	54	4621280	100	4621580	100
		PA66 V2 - UL94	-40°C +85°C	750	7,8	200	54			4621590	100

# CABLE CLIPS



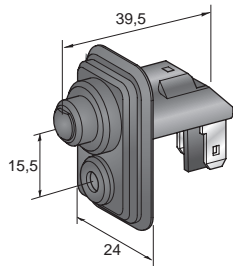
1



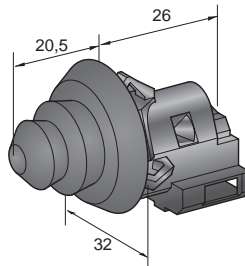
2

IMG	DESCRIPTION	MATERIAL	L mm	S mm	Ø mm	Sp mm		P/N BOX	M.O.Q.
1	REUSABLE TIE	PA66 V2 - UL94	140	6,5	6÷35	0,6÷2		4621051	200
	REUSABLE TIE	PA66 V2 - UL94	100	6	2÷16	0,6÷1,5		4621052	200
2	FIXING TUBE CLAMP	PA66	19,8	9,6	4,8	-		4612110	100
	FIXING TUBE CLAMP	PA66	22	10	6,35	-		4612120	100
	FIXING TUBE CLAMP	PA66	22	10	7,9	-		4612130	100
	FIXING TUBE CLAMP	PA66	24	12	9,5	-		4612140	100
	FIXING TUBE CLAMP	PA66	31	12	12,7	-		4612150	100
	FIXING TUBE CLAMP	PA66	34,3	12	15,8	-		4612160	100
	FIXING TUBE CLAMP	PA66	35	12	19,4	-		4612170	100
	FIXING TUBE CLAMP	PA66	43	12	25,4	-		4612180	100

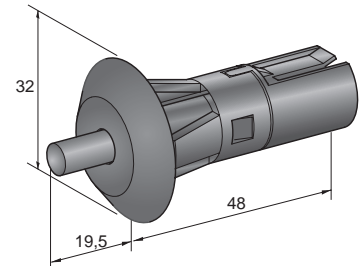
# PRESS SWITCHES



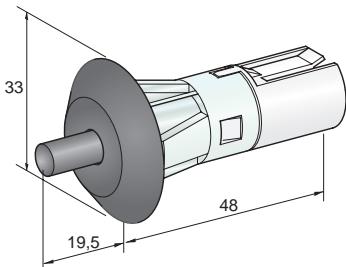
1



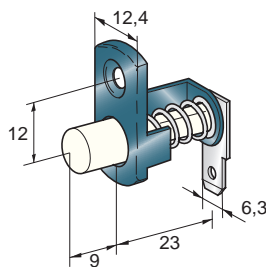
2



3



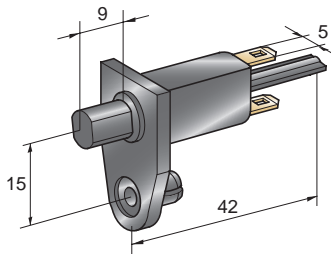
4



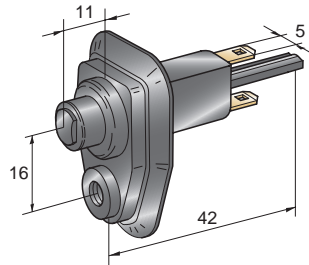
5

IMG	DESCRIPTION	APPLICATION	P/N BOX	M.O.Q.
1	PRESS SWITCH	DOORS BRAVO - BRAVA - PALIO	4209652	1
2	PRESS SWITCH	MULTIFUNCTIONAL - RENAULT	4209655	1
3	PRESS SWITCH	DOORS TWINGO - CLIO - LAGUNA - SAFRANE - ESPACE - EXPRESS	4209656	1
4	PRESS SWITCH	DOORS PEUGEOT	4209665	1
5	PRESS SWITCH	DOORS FIAT RITMO - PANDA - 131 - 132 - 128	4209500	1

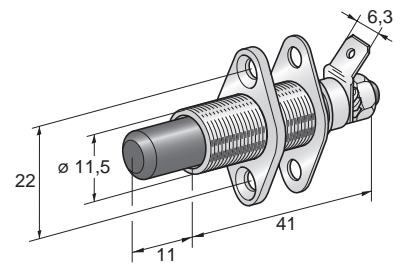
# PRESS SWITCHES



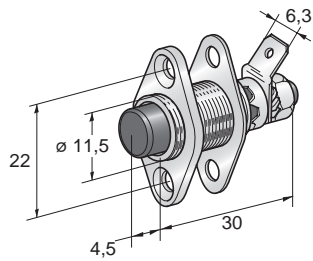
1



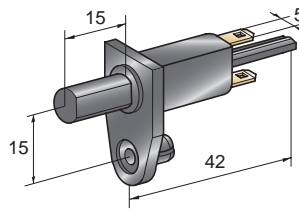
2



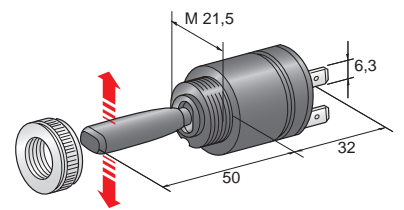
3



4



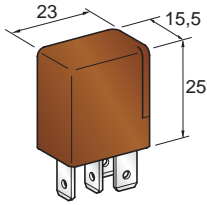
5



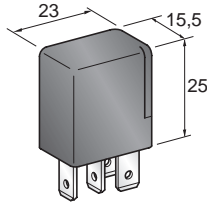
6

IMG	DESCRIPTION	APPLICATION	P/N BOX	M.O.Q.
1	PRESS SWITCH	DOORS FIAT UNO	4209520	1
2	PRESS SWITCH	DOORS FIAT CROMA - LANCIA THEMA	4209530	1
3	PRESS SWITCH	AUTOALARM, DOORS, TAILGATES	4209570	1
4	PRESS SWITCH	AUTOALARM, DOORS, TAILGATES	4209580	1
5	PRESS SWITCH	BOOT ALFA 164	4209590	1
6	PRESS SWITCH	TRACTOR LIGHT	4208800	1

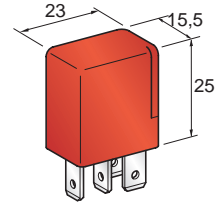
# RELAYS



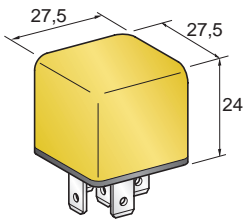
1



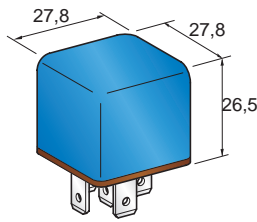
2



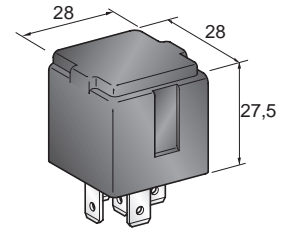
3



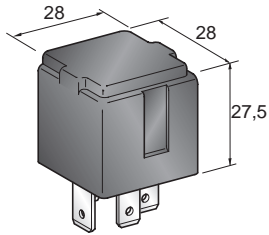
4



5

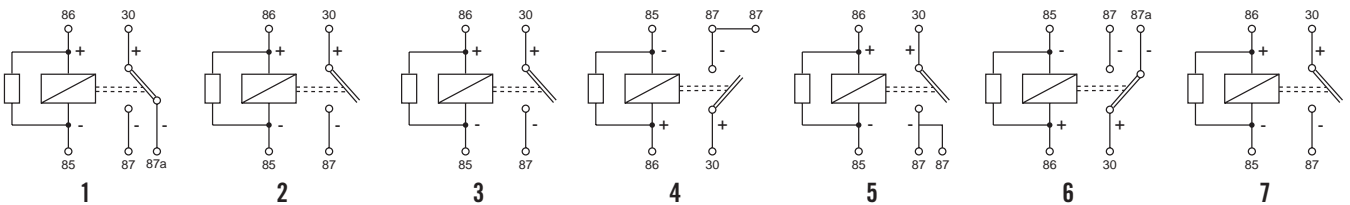


6

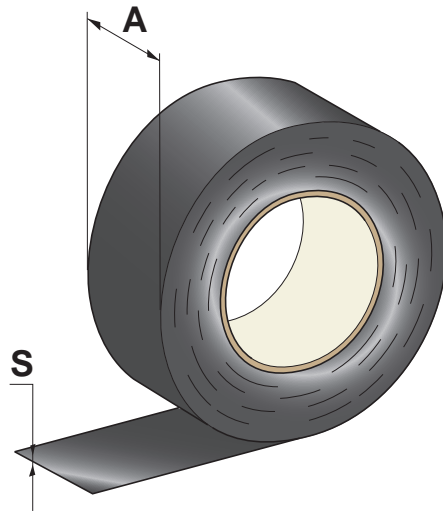


7

IMG	DESCRIPTION	COLOUR	RATED CURRENT WITH 80° C	RATED VOLTAGE	WORKING TEMPERATURE T.min/T.max	P/N BOX	M.O.Q.
1	MICRO RELAY	Brown	10A (NC) - 20A (NO)	12 V	-40°C +125°C	0603000	1
2	MICRO RELAY	Black	20A (NO)	12 V	-40°C +125°C	0603010	1
3	MICRO RELAY	Red	30A (NO)	12 V	-40°C +125°C	0603020	1
4	MINI RELAY	Yellow	30A (NO)	12 V	-30°C +80°C	0603030	1
5	MINI RELAY	Blue	30A (NO)	12 V	-40°C +125°C	0603040	1
6	MINI RELAY	Black	15A (NC) - 30A (NO)	12 V	-30°C +100°C	0603060	1
7	MAXI RELAY	Black	50A (NO)	12 V	-40°C +125°C	0603050	1



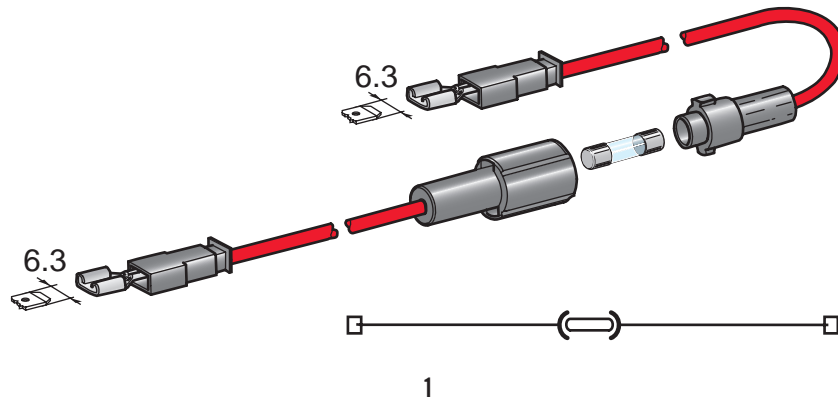
# SELF EXTINGUISHING INSULATING TAPE



1

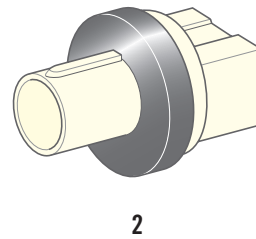
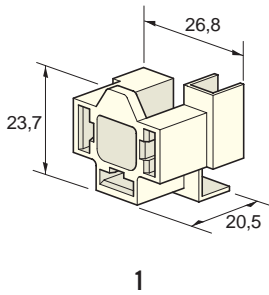
IMG	DESCRIPTION	MATERIAL	COLOUR	A mm	L mm	S mm	P/N BOX	M.O.Q.
1	SELF-EXTINGUISHING INSULATING TAPE	PVC - V0	■ Black	15	10000	0,15	4640100	10
	SELF-EXTINGUISHING INSULATING TAPE	PVC - V0	■ Red	15	10000	0,15	4640110	10
	SELF-EXTINGUISHING INSULATING TAPE	PVC - V0	■ Black	15	25000	0,15	4640200	10
	SELF-EXTINGUISHING INSULATING TAPE	PVC - V0	■ Black	19	25000	0,15	4640300	10
	SELF-EXTINGUISHING INSULATING CLOTH TAPE	RAYON	■ Black	19	25000	0,28	0100302	96

# CAR RADIO WIRES



IMG	DESCRIPTION	CABLE	L mm		P/N BOX	M.O.Q.
1	CAR RADIO FEEDING WIRE	0,8	500		2608241	10

# LAMP HOLDERS



IMG	DESCRIPTION	MATERIAL	P/N BOX	M.O.Q.
1	3WAY LAMP HOLDER	PA	4410510	50
2	PARKING LIGHTS AND DASHBOARD FOR LAMPS WITH W 2.1 X 9.5 D SOCKET		4008500	50

**CONNECTIONS AND FIXINGS**

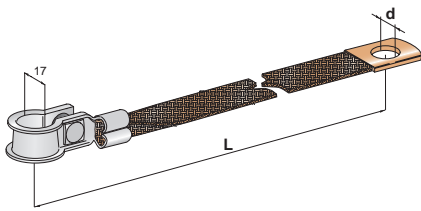


FASTON F800  
W/LOCK.NOTCH

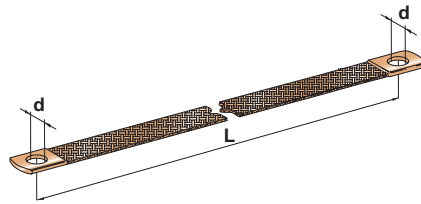
IMG 1



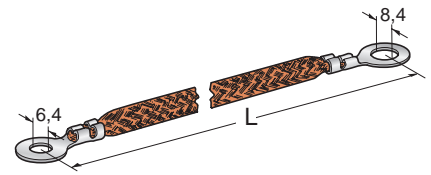
# GROUND CONNECTIONS



1



2

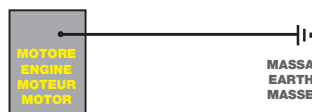


3

IMG	DESCRIPTION	WIRE SECTION mm <sup>2</sup>	d mm	L mm		P/N BOX	M.O.Q.
1	EARTH CONNECTION	25	12,5	300		2508681	1
		25	12,5	400		2508682	1
		25	12,5	500		2508683	1
		10	8,4	210		2508650	1
2	EARTH CONNECTION	10	8,4	280		2508652	1
		15	10,4	330		2508660	1
		15	10,4	450		2508661	1
		15	10,4	280		2508662	1
		15	10,4	210		2508663	1
		25	12,5	320		2508670	1
		25	12,5	230		2508671	1
		25	12,5	400		2508672	1
3	EARTH CONNECTION	-	-	300		2508220	10



1



2



3

P/N	PAGE
0100300	60
0100302	181
0100303	60
0100304	60
0100306	60
0100330	52
0100334	58
0100335	59
0100336	59
0100337	59
0100341	58
0100345	49
0100350	51
0100351	51
0100352	63
0100358	64
0100359	51, 53
0100360	56
0100370	56
0100380	57
0100390	55
0100391	55
0100392	64
0100400	50
0100415	50
0100416	47
0100420	53
0100430	64
0100440	64
0100500	28
0100540	44
0100560	44
0100580	44
0100590	45
0100600	45
0100610	45
0100655	40
0100665	40
0100699	32
0100703	27
0100705	40
0100710	22
0100800	29
0100900	28
0101005	54
0101320	48

P/N	PAGE
0101370	38
0101371	38, 39
0101400	47
0101450	30
0101460	35
0101470	37
0101484	35
0101494	36
0101504	36
0101510	37
0101520	30
0101530	30
0101540	30
0101550	32
0101564	35
0101580	32
0101590	32
0101600	37
0101640	35
0101660	36
0101690	37
0101703	24
0102000	46
0102001	46
0103000	42
0200127	18
0200138	18
0200140	14
0200142	14
0200149	14
0200150	14
0200151	14
0200152	14
0200170	14
0200171	14
0200172	14
0200180	14
0200181	14
0200182	14
0200296	17
0200297	17
0200298	17
0200299	17
0200300	17
0200301	17
0300140	14

P/N	PAGE
0300142	14
0300149	14
0300150	14
0300151	14
0300152	14
0300170	14
0300171	14
0300172	14
0300180	14
0300181	14
0300182	14
0300300	60
0300305	60
0300306	60
0300330	52
0300331	52
0300336	59
0300341	58
0300342	58
0300345	49
0300351	51
0300352	63
0300354	51
0300357	51, 52
0300358	64
0300359	51, 53
0300360	56
0300370	56
0300380	57
0300390	55
0300391	55
0300392	64
0300395	63
0300397	80
0300398	63
0300400	50
0300401	50
0300402	50
0300403	50
0300404	50
0300405	50
0300406	50
0300407	50
0300415	50
0300416	47
0300420	53

P/N	PAGE
0300430	64
0300440	64
0300442	25
0300468	25
0300489	78
0300500	28
0300540	44
0300541	44
0300542	44
0300552	26
0300560	44
0300561	44
0300562	44
0300580	44
0300581	44
0300582	44, 45
0300590	45
0300600	45
0300602	45
0300610	45
0300612	45
0300650	40
0300660	40
0300670	40
0300680	40
0300681	41
0300683	41
0300684	41
0300690	63
0300691	63
0300697	65
0300698	65
0300699	32
0300700	40
0300793	35
0300800	29
0300839	21
0300849	29
0300850	29
0300851	62
0300856	62
0300900	28
0300949	62
0300950	28
0301000	54
0301030	54, 55

P/N	PAGE
0301040	54, 55
0301050	54, 55
0301060	54, 55
0301070	54, 55
0301080	54, 55
0301200	54
0301210	54
0301301	48
0301305	48
0301307	48
0301310	48
0301315	48
0301320	48
0301325	48
0301330	48
0301370	38
0301371	38, 39
0301372	38
0301400	47
0301410	47
0301420	43
0301430	43
0301431	43
0301435	43
0301450	30
0301460	35
0301470	37
0301484	35
0301486	35
0301491	39
0301494	36
0301496	36
0301504	36
0301506	36
0301510	37
0301520	30
0301530	30
0301540	30
0301550	32
0301564	35
0301566	35
0301580	32
0301590	32
0301600	37
0301601	37
0301602	37

P/N	PAGE	P/N	PAGE	P/N	PAGE	P/N	PAGE	P/N	PAGE
0301620	33	0424025	9	0470101	11	0475031	12	0600160	2
0301630	34	0424026	9	0471030	11	0475040	12	0600170	2
0301640	35	0424030	9	0471031	11	0475041	12	0600210	13
0301660	36	0424031	9	0471040	11	0475050	12	0600220	13
0301661	36	0424040	9	0471041	11	0475051	12	0600230	13
0301680	31	0424041	9	0471050	11	0475060	12	0600240	13
0301690	37	0424050	9	0471051	11	0475061	12	0600250	13
0301691	37	0424051	9	0471060	11	0475070	12	0600260	13
0301695	36	0424060	9	0471061	11	0475071	12	0600270	13
0301696	36	0424061	9	0471080	11	0475080	12	0600280	13
0301865	23	0430300	15	0471081	11	0475081	12	0600290	13
0302000	46	0430400	15	0471100	11	0475100	12	0600302	13
0302001	46	0430500	15	0471101	11	0475101	12	0600375	3
0302305	48	0430600	15	0472030	12	0476025	10	0600380	3
0302310	48	0430700	15	0472031	12	0476026	10	0600390	3
0302315	48	0430800	15	0472040	12	0476030	10	0600400	3
0302320	48	0430900	15	0472041	12	0476031	10	0600401	3
0302325	48	0431000	15	0472050	12	0477045	10	0600407	19
0302330	48	0431100	15	0472051	12	0477046	10	0600408	19
0303003	42	0431300	15	0472060	12	0477065	10	0600410	3
0303005	42	0431400	15	0472061	12	0477066	10	0600418	19
0303006	42	0433200	16	0472080	12	0477075	10	0600420	3
0303007	42	0433300	16	0472081	12	0477076	10	0600430	3
0303008	42	0433400	16	0472100	12	0530400	15	0600440	3
0303009	42	0433450	16	0472101	12	0530500	15	0600450	3
0303010	42	0433500	16	0473030	10	0530600	15	0600460	3
0303015	42	0433600	16	0473031	10	0530800	15	0600470	3
0303020	42	0433700	16	0473040	10	0531100	15	0600492	3
0303025	42	0433800	16	0473041	10	0533200	16	0600493	3
0303030	42	0433850	16	0474020	10	0533400	16	0600494	3
0321000	54	0433900	16	0474021	10	0533500	16	0600495	3
0321200	54	0435600	16	0474030	10	0533600	16	0600496	3
0321210	54	0435800	18	0474031	10	0533700	16	0600497	3
0350002	60	0470020	11	0474040	10	0533800	16	0600498	3
0404015	9	0470021	11	0474041	10	0533850	16	0600900	6
0404016	9	0470030	11	0474050	10	0533900	16	0600910	6
0404020	9	0470031	11	0474051	10	0535300	16	0600920	6
0404021	9	0470040	11	0474060	10	0600010	20	0600930	6
0404025	9	0470041	11	0474061	10	0600090	2	0600940	6
0404026	9	0470050	11	0474070	10	0600100	2	0600950	6
0404030	9	0470051	11	0474071	10	0600101	2	0600960	6
0404031	9	0470060	11	0474080	10	0600110	2	0600970	6
0404040	9	0470061	11	0474081	10	0600120	2	0601100	8
0404041	9	0470080	11	0475020	12	0600130	2	0601125	8
0424020	9	0470081	11	0475021	12	0600140	2	0601150	8
0424021	9	0470100	11	0475030	12	0600150	2	0601175	8

P/N	PAGE	P/N	PAGE	P/N	PAGE	P/N	PAGE	P/N	PAGE
0601200	8	0700301	3	0702960	4	1105550	135	1107980	141
0601225	8	0700302	13	0705090	2	1105560	135	1107990	127
0601250	8	0700310	3	0705100	2	1105615	137	1107991	127
0601350	8	0700320	3	0705101	2	1105620	137	1107992	127
0601400	8	0700330	3	0705110	2	1105630	137	1107993	127
0601450	8	0700340	3	0705120	2	1105660	138	1108000	141
0601500	8	0700350	3	0705130	2	1105670	138	1108010	138
0601600	8	0700360	3	0705140	2	1106700	107	1108020	138
0601700	8	0700370	3	0705150	2	1106710	107	1108030	137
0602030	7	0700375	3	0705160	2	1106720	107	1108050	137
0602040	7	0700380	3	0705170	2	1106730	107	1108060	137
0602050	7	0700390	3	0710060	5	1106750	107	1108070	138
0602060	7	0700900	6	0710070	5	1106760	107	1108080	138
0602070	7	0700910	6	0710080	5	1107000	133	1108110	109
0602080	7	0700920	6	0710300	3	1107010	133	1108120	109
0602100	7	0700930	6	0710310	3	1107020	133	1108260	136
0602125	7	0700940	6	0710320	3	1107209	138	1108270	136
0603000	180	0700950	6	0710330	3	1107210	137	1108280	137
0603010	180	0700960	6	0710340	3	1107211	137	1108290	136
0603020	180	0700970	6	0710350	3	1107212	138	1108300	136
0603030	180	0701100	8	0710360	3	1107260	138	1108330	125
0603040	180	0701125	8	0710370	3	1107400	129	1108331	125
0603050	180	0701150	8	0710375	3	1107410	129	1108332	125
0603060	180	0701175	8	1000618	158	1107420	129	1108337	125
0650015	20	0701200	8	1000748	158	1107501	128	1108338	125
0650016	20	0701225	8	1000900	157	1107650	130	1108339	125
0700090	2	0701250	8	1000910	157	1107660	130	1108380	124
0700100	2	0701350	8	1000930	157	1107670	130	1108381	124
0700101	2	0701400	8	1101400	132	1107671	130	1108382	124
0700110	2	0701450	8	1101412	134	1107675	130	1108383	124
0700120	2	0701500	8	1101650	132	1107685	130	1108400	126
0700130	2	0701600	8	1101660	134	1107690	130	1108401	126
0700140	2	0701700	8	1101662	134	1107700	130	1108402	126
0700150	2	0702030	7	1101680	133	1107710	130	1108500	127
0700160	2	0702040	7	1101700	132	1107720	130	1108501	127
0700170	2	0702050	7	1101710	132	1107740	131	1108502	127
0700210	13	0702060	7	1101720	133	1107741	131	1108503	127
0700220	13	0702070	7	1101940	139	1107760	129	1108510	127
0700230	13	0702080	7	1101950	139	1107770	129	1108511	127
0700240	13	0702100	7	1102000	137	1107900	128	1108512	127
0700250	13	0702125	7	1102010	137	1107901	128	1108513	127
0700260	13	0702925	4	1102050	138	1107920	128	1200580	158
0700270	13	0702930	4	1104500	136	1107930	128	1200590	158
0700280	13	0702935	4	1104510	136	1107940	128	1200880	142
0700290	13	0702940	4	1105500	135	1107960	141	1201000	140
0700300	3	0702950	4	1105510	135	1107970	141	1201070	140

P/N	PAGE	P/N	PAGE	P/N	PAGE	P/N	PAGE	P/N	PAGE
1201110	140	1506660	99	1507946	98	1606890	116	1609600	122
1201150	141	1506665	99	1507955	98	1606981	114	1609910	121
1201160	141	1506666	99	1507956	98	1606982	114	1609911	121
1201200	140	1506668	99	1507957	98	1606990	114	1609920	121
1201210	140	1506675	99	1507975	98	1606991	114	1701400	132
1201220	140	1506678	99	1556680	97	1606992	114	1701412	134
1201230	140	1506720	99	1602550	105	1606994	114	1701530	133
1301390	132	1506721	99	1602970	105	1607400	120	1701650	132
1301391	132	1506730	99	1602980	105	1607500	117	1701651	132
1301400	132	1506731	99	1602981	105	1608170	108	1701655	132
1301402	132	1506740	100	1602990	105	1608180	109	1701660	134
1301411	134	1506741	100	1603000	105	1608190	109	1701940	139
1301412	134	1506760	100	1604300	108	1608196	109	1704004	117
1301417	134	1506761	100	1605000	123	1608199	109	1704010	117
1301418	134	1506765	100	1605010	123	1608210	108	1704500	136
1301420	133	1506820	102	1605020	123	1608321	108	1704510	136
1301501	133	1507601	98	1605021	123	1608323	108	1705550	135
1301650	132	1507700	96	1605030	123	1608340	114	1705560	135
1301660	134	1507701	96	1605040	123	1608345	114	1705606	110
1301665	134	1507703	96	1605100	123	1608346	114	1705616	110
1400850	142	1507704	96	1605110	123	1608380	117	1705626	110
1400860	142	1507705	96	1605600	112	1608381	117	1705656	110
1400862	142	1507707	96	1605610	112	1608382	117	1705705	110
1400865	142	1507708	96	1605620	112	1608384	117	1705715	110
1400880	142	1507710	96	1605630	112	1608400	119	1705725	110
1401400	132	1507720	96	1605650	112	1608415	120	1705726	111
1401660	134	1507736	96	1605700	112	1608420	119	1705735	110
1401910	139	1507760	96	1605710	112	1608440	122	1705745	110
1506060	101	1507771	96	1605720	112	1608450	119	1705816	111
1506070	101	1507772	96	1605730	112	1608460	119	1705825	111
1506080	101	1507785	96	1605800	112	1608470	119	1705826	111
1506090	101	1507790	96	1605810	112	1608480	119	1705835	111
1506100	101	1507795	96	1605815	111	1608500	117	1705846	111
1506110	101	1507800	97	1605820	112	1608510	117	1705855	111
1506120	101	1507810	97	1605830	112	1608520	121	1705856	111
1506130	101	1507820	97	1605900	112	1608600	121	1705925	111
1506200	102	1507821	97	1605910	112	1608700	121	1706600	116
1506210	102	1507830	97	1605930	112	1608800	109	1706700	107
1506250	102	1507875	97	1606500	116	1608911	122	1706701	107
1506260	102	1507885	97	1606770	116	1609000	105	1706710	107
1506270	101	1507904	98	1606775	116	1609100	121	1706711	107
1506280	101	1507905	98	1606780	116	1609200	108	1706720	107
1506650	99	1507915	98	1606785	116	1609310	122	1706721	107
1506655	99	1507916	98	1606795	116	1609320	109	1706730	107
1506656	99	1507925	98	1606796	116	1609400	122	1706731	107
1506658	99	1507926	98	1606855	152	1609500	122	1706740	107

P/N	PAGE
1706741	107
1706750	107
1706760	107
1706850	106
1706880	116
1706890	116
1706900	113
1706910	113
1706920	113
1706930	113
1706940	113
1706950	114
1706960	114
1706970	114
1706975	115
1706977	115
1706980	114
1707400	129
1707410	129
1707420	129
1707620	130
1707621	130
1707622	130
1707650	130
1707660	130
1707670	130
1707671	130
1707672	130
1707675	130
1707685	130
1707690	130
1707700	130
1707710	130
1707720	130
1707740	131
1707741	131
1707742	131
1707760	129
1707770	129
1707780	129
1707900	128
1707901	128
1707902	128
1707911	128
1707912	128
1707920	128

P/N	PAGE
1707930	128
1707932	128
1707940	128
1707942	128
1707990	127
1707991	127
1707992	127
1707993	127
1707994	127
1707995	127
1708110	109
1708120	109
1708150	106
1708160	106
1708170	108
1708175	108
1708185	115
1708200	114
1708210	108
1708215	108
1708220	114
1708230	108
1708240	110
1708245	110
1708246	110
1708250	111
1708270	115
1708280	110
1708310	108
1708315	108
1708320	108
1708325	108
1708330	125
1708331	125
1708332	125
1708334	125
1708335	125
1708336	125
1708337	125
1708338	125
1708339	125
1708340	114
1708345	114
1708360	120
1708370	120
1708380	124

P/N	PAGE
1708381	124
1708382	124
1708383	124
1708400	126
1708401	126
1708402	126
1708500	127
1708501	127
1708502	127
1708503	127
1708504	127
1708505	127
1708510	127
1708511	127
1708512	127
1708513	127
1793752	118
1793753	118
1793754	106
1796416	118
1850200	145
1850209	145
1850300	145
1850309	145
1850400	145
1850409	145
1850450	146
1850459	146
1850500	145
1850509	145
1851000	145
1851009	145
1851400	145
1851409	145
1851500	145
1851509	145
1852000	146
1852009	146
1852400	147
1852409	147
1852500	146
1852509	146
1853050	143
1853059	143
1853060	143
1853069	143

P/N	PAGE
1853070	143
1853079	143
1853150	143
1853159	143
1853200	143
1853209	143
1853250	143
1854200	145
1854400	145
1854409	145
1854500	145
1854550	146
1854559	146
1855000	145
1855009	145
1855400	145
1855500	145
1855509	145
1856000	146
1856009	146
1856400	147
1856409	147
1857100	143
1857109	143
1857150	143
1857159	143
1857200	143
1857209	143
1857250	143
1857259	143
1860000	152
1860500	145
1860509	145
1861000	145
1861009	145
1862000	146
1862009	146
1862500	146
1862509	146
1863000	145
1863009	145
1863100	143
1863109	143
1863150	143
1863159	143
1863200	143

P/N	PAGE
1863209	143
1863250	143
1863259	143
1863300	143
1863309	143
1864000	148
1864009	148
1864100	148
1864109	148
1864300	148
1864309	148
1864400	148
1864409	148
1864500	148
1864509	148
1864600	148
1864609	148
1864700	148
1864800	148
1865069	144
1865100	144
1865109	144
1865200	144
1865209	144
1866100	144
1866109	144
1866200	144
1866300	144
1866309	144
1867000	144
1867009	144
1867100	144
1867109	144
1867200	144
1867209	144
1868000	149
1868009	149
1868100	149
1868109	149
1868200	149
1868209	149
1869000	149
1869009	149
1869100	149
1869109	149
1869200	149

P/N	PAGE	P/N	PAGE	P/N	PAGE	P/N	PAGE	P/N	PAGE
1880060	151	2508682	184	4410076	93	4410610	80	4423720	84
1880070	151	2508683	184	4410077	94	4410655	87	4426030	91
1880080	151	2550087	171	4410078	94	4410656	87	4426040	91
1880090	151	2608241	182	4410079	94	4410657	87	4426050	91
1880100	151	3001001	55	4410080	93	4410660	86	4426060	91
1880120	151	3004000	19	4410082	93	4410661	86	4426110	91
1880130	151	3050123	83	4410083	93	4410801	75	4426120	91
1880140	151	3050124	83	4410084	93	4410810	76	4426130	92
1880150	151	3050125	83	4410086	93	4410811	76	4426140	92
1880230	151	3050126	83	4410090	147	4410820	76	4426150	92
1880240	151	3050127	83	4410091	147	4410821	76	4426160	92
1880250	151	3050128	83	4410092	147	4410830	75	4426170	92
1880280	150	3050129	83	4410096	147	4410840	74	4426180	92
1880290	150	3050130	83	4410097	147	4410870	77	4430100	95
1880300	150	3050131	84	4410120	81	4410880	74	4430110	95
1880310	150	3050132	84	4410125	81	4410881	74	4430120	95
1900590	158	3050133	84	4410150	88	4410890	74	4430130	95
1900900	157	3050134	84	4410160	88	4410891	74	4433800	85
1900910	157	3050135	61	4410170	88	4410921	76	4440100	66
1900920	157	3050136	61	4410180	88	4410970	77	4440130	66
1900930	157	3050152	47	4410190	88	4420800	94	4440140	66
1900940	157	3050153	48	4410200	88	4420900	86	4440200	66
1901390	132	4008500	183	4410210	89	4420901	86, 159	4440300	68
1901391	132	4208800	179	4410220	89	4420902	86, 159	4440310	69
1901400	132	4209500	178	4410230	89	4420910	86	4440340	69
1901402	132	4209520	179	4410240	89	4420911	86, 159	4440400	68
1901650	132	4209530	179	4410245	61	4420920	87	4440600	79
1901660	134	4209570	179	4410246	61	4420921	87, 159	4440700	71
1902970	105	4209580	179	4410247	61	4420931	87, 159	4440800	71
1902980	105	4209590	179	4410250	89	4423510	85	4441100	79
1902981	105	4209652	178	4410260	89	4423520	85	4441200	79
1906970	114	4209655	178	4410270	90	4423530	85	4510070	93
1911400	132	4209656	178	4410280	90	4423540	85	4510073	93
1911650	132	4209665	178	4410290	90	4423550	85	4510074	93
1951194	134	4407510	136	4410295	90	4423560	85	4510076	93
2508220	184	4407530	135	4410296	90	4423610	83	4510077	94
2508650	184	4407740	135	4410300	160	4423620	83	4510080	93
2508652	184	4407750	135	4410310	160	4423630	83	4510086	93
2508660	184	4410060	93	4410320	160	4423640	83	4510090	147
2508661	184	4410062	94	4410360	160	4423650	83	4510091	147
2508662	184	4410065	93	4410400	160	4423660	83	4510092	147
2508663	184	4410068	93	4410480	104	4423670	83	4510096	147
2508670	184	4410070	93	4410495	103	4423680	83	4510110	82
2508671	184	4410072	93	4410496	103	4423690	84	4510115	82
2508672	184	4410073	93	4410510	183	4423700	84	4510120	81
2508681	184	4410074	93	4410605	80	4423710	84	4510125	81

P/N	PAGE	P/N	PAGE	P/N	PAGE	P/N	PAGE	P/N	PAGE
4510130	82	4510921	76	4545400	68	4621190	176	4814267	173
4510135	81	4510970	77	4545800	71	4621200	176	4814268	173
4510145	82	4510975	77	4550747	125	4621210	176	4814271	175
4510150	88	4520900	86	4550748	125	4621240	176	4814272	175
4510160	88	4520901	86, 159	4550749	125	4621260	176	4814281	175
4510170	88	4520902	86, 159	4550750	125	4621270	176	4814282	175
4510180	88	4520910	86	4550780	129	4621280	176	4814290	175
4510190	88	4520911	86, 159	4550781	129	4621400	176	4814291	175
4510200	88	4520921	87, 159	4550782	129	4621410	176	4814295	175
4510210	89	4520931	87, 159	4550784	129	4621420	176	4814311	173
4510220	89	4540105	66	4551575	159	4621430	176	4814321	173
4510230	89	4540110	72	4551605	80	4621440	176	4814330	174
4510240	89	4540111	72	4551606	80	4621450	176	4814331	174
4510245	61	4540112	72	4551607	80	4621460	176	4814332	174
4510247	61	4540113	72	4551610	80	4621470	176	4814341	175
4510250	89	4540150	67	4551611	80	4621480	176	4814350	175
4510260	89	4540205	66	4551612	80	4621490	176	4814351	175
4510270	90	4540210	72	4551613	80	4621500	176	4814361	175
4510280	90	4540211	72	4551614	80	4621510	176	4814373	175
4510290	90	4540302	68	4551615	80	4621520	176	4814375	175
4510295	90	4540305	68	4551747	125	4621530	176	4914221	172
4510296	90	4540312	69	4551748	125	4621540	176	4914222	172
4510400	160	4540315	69	4551749	125	4621550	176	4914256	172
4510480	104	4540325	69	4551897	73	4621560	176	4914257	172
4510496	103	4540335	69	4551898	73	4621570	176	4914258	172
4510497	103	4540345	69	4551899	73	4621580	176	4914259	172
4510499	103	4540405	68	4551900	73	4621590	176	4914262	172
4510502	104	4540410	69	4551901	127	4640100	181	4914264	172
4510503	104	4540420	69	4551902	127	4640110	181	4914265	174
4510658	136	4540430	69	4612110	177	4640200	181	4914266	174
4510662	136	4540500	70	4612120	177	4640300	181	4914267	173
4510801	75	4540501	70	4612130	177	4814220	172	4914268	173
4510802	75	4540601	79	4612140	177	4814221	172	4914312	173
4510810	76	4540602	79	4612150	177	4814222	172	4914313	173
4510811	76	4540705	71	4612160	177	4814250	173	4914322	173
4510812	76	4540715	71	4612170	177	4814251	172	4914323	173
4510820	76	4540735	71	4612180	177	4814252	172	4914326	174
4510821	76	4540805	71	4621051	177	4814254	174	4914327	174
4510830	75	4540815	71	4621052	177	4814255	172	5014490	164
4510840	74	4541100	79	4621110	176	4814256	172	5014730	164
4510870	77	4541200	79	4621120	176	4814257	172	5014740	164
4510875	77	4541201	79	4621130	176	4814258	172	5014750	164
4510880	74	4541202	79	4621140	176	4814259	172	5014810	164
4510881	74	4545100	66, 68, 69, 71	4621150	176	4814261	175	5014830	164
4510890	74	4545200	66	4621170	176	4814262	172	5014861	161
4510891	74	4545300	68, 69, 70, 71	4621180	176	4814264	172	5014862	161





LIST OF ALL ITEMS



Items

P/N	PAGE	P/N	PAGE	P/N	PAGE	P/N	PAGE	P/N	PAGE
5014868	163	7057092	168						
5014873	161	7057093	168						
5014877	161	9602450	155						
5014900	161	9602455	155						
5014901	161	9602460	156						
5050090	161	9602490	153						
5050097	161	9602500	156						
5050103	161	9602610	154						
5050106	166	9602620	154						
5050108	161	9602621	154						
5050121	161	9602622	154						
5050123	161	9602660	154						
5050124	161	9602661	154						
5050126	162	9602670	154						
5050127	162	9602671	154						
5050128	165	9602690	154						
5050133	166	9602691	154						
5050135	165	9815530	171						
5050136	162	9815540	171						
5050140	162	9815550	171						
5050143	162	9815560	171						
5050147	162	9815561	171						
5050227	162								
5051108	165								
5051137	165								
5056000	161								
5056005	161								
5114861	161								
5114901	161								
5415400	166								
5515870	166								
7050055	170								
7050072	170								
7050075	170								
7050081	169								
7050082	170								
7050088	168								
7050090	167								
7050091	167								
7050092	168								
7050096	168								
7050100	168								
7050101	168								
7057081	169								
7057088	168								
7057091	167, 168								

A norma della legge sul diritto d'autore e del codice civile, è tassativamente vietata la riproduzione di questo catalogo o parte di esso, con qualsiasi metodo elettronico, meccanico, per mezzo di fotocopie, microfilm, registrazioni o altro. I diritti sono riservati per tutti i paesi.

According to the copyright and the civil law, the reproduction of this catalogue, or any part of this one, by electronic, mechanical methods, by means of photocopies, microfilms, recordings or other, is peremptorily forbidden. Rights are reserved for all countries.

Aux termes de la loi sur le droit d'auteur et du code civil, la reproduction de ce catalogue ou même d'une partie, avec n'importe quelle méthode, électronique, mécanique, par photocopies, microfilms enregistrement ou d'autres, est formellement interdite. Tous les droits sont réservés pour tous les pays.

Das Urheberrechtsgesetz und das bürgerliche Gesetzbuch verbieten die Reproduktion dieses Katalogs oder irgendeines von seinen Teilen durch elektronische, mechanische Mittel, Fotokopien, Mikrofilme, Aufnahmen oder irgendwelches Mittel.

Disegni, caratteristiche e codifiche, possono essere soggetti a modifiche e variazioni. Al fine di un miglioramento tecnologico e qualitativo. MTA S.p.A. si riserva la facoltà di effettuare cambiamenti senza nessun preavviso.

Drawings, specifications and reference numbers may be modified and changed. MTA S.p.A. reserves itself the right, to make changes for technical or quality improvements, without any notice.

Les dessins, les caractéristiques et les références peuvent être modifiés ou changés. MTA S.p.A. se réserve le droit d'apporter n'importe quel changement pour des améliorations techniques ou qualitatives sans donner aucun préavis.

Zeichnungen, Kennzeichen und Kodifikationen können Änderungen erfahren. Um technische und qualitative Verbesserungen zu erreichen, behält sich die Firma MTA S.p.A. das Recht, ohne vorherige Benachrichtigung, Änderungen zu machen.

**Per conoscere i distributori e gli agenti di MTA nel mondo potete consultare il sito [www.mta.it](http://www.mta.it)**

To know MTA agents and distributors in the world please go to [www.mta.it](http://www.mta.it)

Pour connaître les agents et distributeurs de MTA dans le monde Vous pouvez consulter notre site [www.mta.it](http://www.mta.it)

Weltweite MTA Vertriebsfirmen und Vertreter finden Sie unter [www.mta.it](http://www.mta.it)



**HEADQUARTERS**

MTA S.p.A - Italy

**BRANCHES**

Brazil  
India  
Poland  
Slovakia  
USA

**[www.mta.it](http://www.mta.it)**

[infoitaly@mta.it](mailto:infoitaly@mta.it)

Ref. 9951220



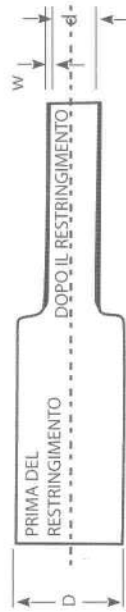
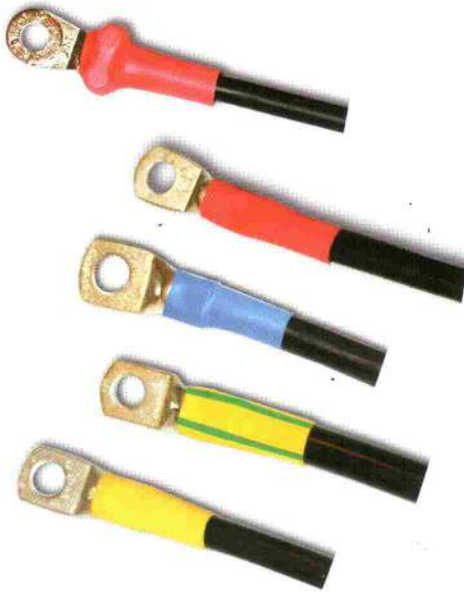


# GUAINA TERMORESTRINGENTE

In poliolefina reticolata, termicamente stabilizzata, con rapporto di restringimento 2:1 Autostringente secondo le normative UL224-VW1 e CSA Standard C22.2 OFT  
 Temperatura di inizio restringimento: 70°C; restringimento totale 110°C  
 Temperatura di servizio continuo da -55°C a +125°C

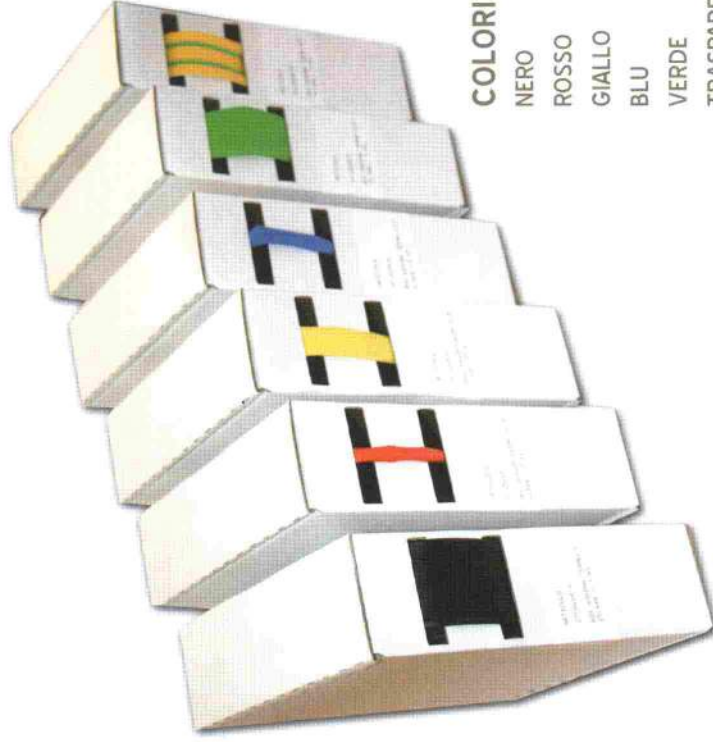
La bassa temperatura di restringimento e la notevole flessibilità, associata alla resistenza meccanica, rendono la guaina termorestringente particolarmente adatta per impieghi in elettronica, nelle comunicazioni, nel trasporto su strada e su rotaia, nel settore aereo-navale, e ovunque venga richiesta una eccellente protezione dielettrica e meccanica.

## GUAINA TERMORESTRINGENTE IN BOX



NERA

Codice	D (inch/mm)	d (mm)	w (mm)	mt
07.0630/1	1/16" / 1,6	0,65	0,28	15
07.0631/1	3/32" / 2,4	1,00	0,35	15
07.0632/1	1/8" / 3,2	1,50	0,40	15



## COLORI

NERO  
 ROSSO  
 GIALLO  
 BLU  
 VERDE  
 TRASPARENTE  
 GIALLO-VERDE

COLORATA: ROSSO, GIALLO, BLU, VERDE, TRASPARENTE

Codice	D (inch/mm)	d (mm)	w (mm)	mt
07.0632/C	1/8" / 3,2	1,50	0,40	15
07.0633/C	3/16" / 4,8	2,30	0,50	12
07.0634/C	1/4" / 6,4	3,00	0,55	12
07.0636/C	1/2" / 12,7	6,00	0,60	8

Codice	Prima del restringimento	Dopo il restringimento	Spessore parete	Metri
07.0634/1	1/4" / 6,4	3,00	0,55	12
07.0635/1	3/8" / 9,6	4,50	0,60	10
07.0636/1	1/2" / 12,7	6,00	0,60	8
07.0637/1	5/8" / 16,0	8,00	0,78	5
07.0638/1	3/4" / 19,1	9,00	0,70	5
07.0639/1	1" / 25,4	12,50	0,80	3



Codice	Prima del restringimento	Dopo il restringimento	Spessore parete	Metri
07.0615	1/16"	1,6	0,28	200
07.0616	3/32"	2,4	0,35	200
07.0617	1/8"	3,2	0,40	200
07.0618	3/16"	4,8	0,50	100
07.0619	1/4"	6,4	0,55	100
07.0620	3/8"	9,6	0,60	100
07.0621	1/2"	12,7	0,60	100
07.0622	5/8"	16,0	0,70	100
07.0623	3/4"	19,1	0,80	100
07.0624	1"	25,4	0,90	50
07.0625	1 1/4"	32,0	1,00	50
07.0626	1 1/2"	38,1	1,00	50
07.0627	2"	50,8	1,00	25
07.0628	3"	76,2	1,46	25
07.0629	4"	101,6	1,46	25

Altri colori e misure a richiesta

#### GIALLO-VERDE

Codice	D (inch/mm)	d (mm)	w (mm)	mt
07.0632/GV	1/8" / 3,2	1,50	0,40	15
07.0633/GV	3/16" / 4,8	2,30	0,50	12
07.0634/GV	1/4" / 6,4	3,00	0,55	12
07.0636/GV	1/2" / 12,7	6,00	0,60	8

## GUAINA TERMORESTRINGENTE IN BOBINA

PROPRIETA'	METODO DI PROVA	VALORI RICHIESTI	VALORI OTTENUTI
<b>FISICI</b>			
Resistenza alla trazione	GB/T 1040	> 10,4 Mpa	14,8 Mpa
Allungamento a rottura	GB/T 1040	> 200%	460%
Resistenza dopo invecch. termico	UL 224 158°C x 168 hr UL 224 158°C x 168 hr	> 7,3 Mpa > 100%	14,5 Mpa 480%
Allungamento dopo invecch. termico	UL 224 250°C x 4 hr UL 224 -30°C x 1 hr	Nessuna screpol. Nessuna rottura	Nessuna screpol. Nessuna rottura
Shock termico			
Stabilità a bassa temperatura			
<b>ELETTRICI</b>			
Rigidità dielettrica (KV/mm)	GB/1408	> 15 KV/mm	> 17 KV/mm
Resistenza dielettrica (Volts)	UL 224	> 1500 V	Superata
Resistenza volume specifico (cm.)	GB/1410	> 1 x 10	1 x 10 cm.
<b>CHIMICI</b>			
Azione corrosiva	UL 224	Non corrosivo	Non corrosivo
Compatibilità al rame	UL 224	Non corrosivo	Non corrosivo
Inflammiabilità	UL 224	VW -1	Autoestinguente



**07.0663**  
 Materiale: Poli Propilene  
 Dimensioni del kit: 21 x 12,8 x 3,4 (cm)  
 Quantita' (1): 160 pezzi di G5 (2X)  
 Quantita' (2): 25 pezzi di AIS (3X)  
 Lunghezza: 4" (10 cm) ogni pezzo  
 Colori: come specificato

PRODUZIONE ACCESSORI E RICAMBI ELETTRICI





# GUAINA TERMORESTRINGENTE IN POLIOLEFINA AUTOESTINGUENTE HEAT SHRINKABLE INSULATORS OF POLIOLEFIN

Medio spessore con adesivo interno - With adhesive

## RAPPORTO DI RESTRINGIMENTO 3:1 SPEZZONI DA MT. 1/1.2 - ~~PROLOGATE R.I.M.A.~~

### Descrizione:

Guaina termorestringente in poliolefina reticolata a medio spessore autoestinguente UL 224 - V2.

L'adesivo interno garantisce ermeticità ed affidabilità nell'isolamento di giunzioni e connessioni in aree interessate da fenomeni di condensa, umidità, inquinazione salina. Presenta scarso sviluppo di fumi in caso di combustione ed è equiparabile alle guaine "Zero Halogen". Colore disponibile nero.



CODICE	D mm.	d mm.	w mm.
07.0640	12	3	1.5
07.0641	19	6	2.0
07.0642	30	8	2.0
07.0643	40	12	2.1
07.0644	50	16	2.2
07.0645	63	19	2.5
07.0646	75	25	3.0
07.0647	95	30	3.5
07.0648	115	34	3.5
07.0649	140	42	3.5

### Principali caratteristiche

Temperatura d'esercizio	-55° C ÷ 120° C
Temperatura di restringimento	120° C
Rapporto di restringimento	3 ÷ 4 : 1
Resistenza alla fiamma	Autoestinguente
Resistenza a trazione	12 N/mm <sup>2</sup>
Allungamento a rottura	400%
Ritiro longitudinale	<10%
Rigidità dielettrica	14 KV/mm
Resistività	1.8 x 10 <sup>12</sup> Ohm · cm

